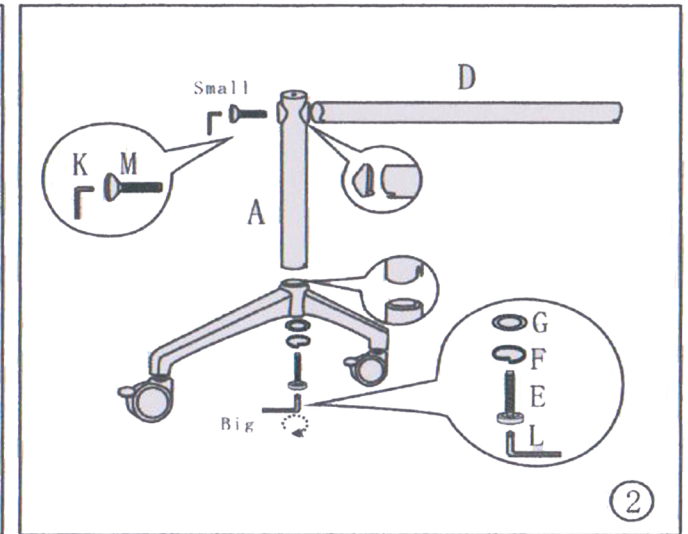
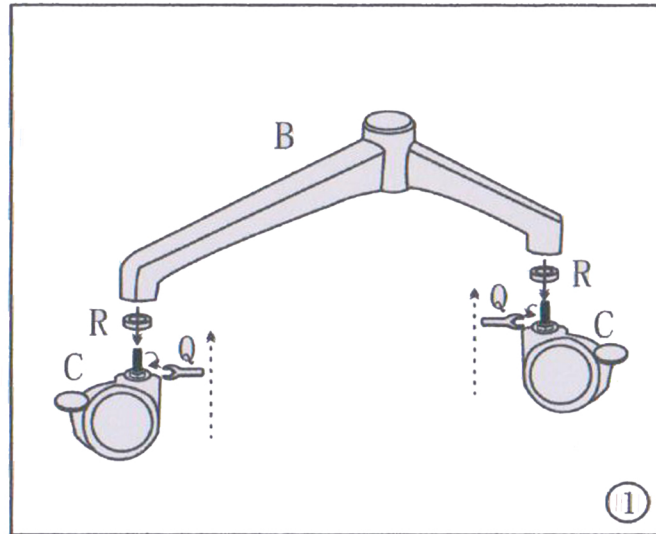
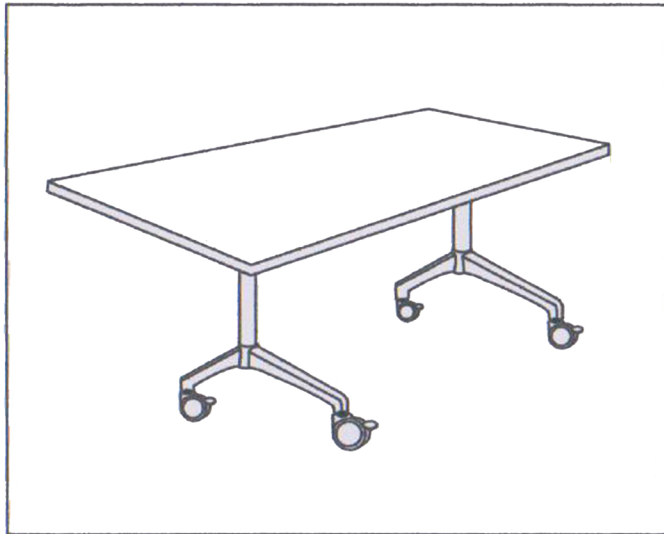


ASSEMBLY INSTRUCTIONS - R20-FT

READY2GO



A			2PC
B			2PC
C			4PC
D			1PC
E			4PC
F			4PC
G			4PC
H			2PC
I			2PC

J			1PC
K		Small	1PC
L		Big	4PC
M			2PC
N		∅ 5*20MM	8PC
O		∅ 5*30MM	12PC
P			1PC
Q			1PC
R			4PC

