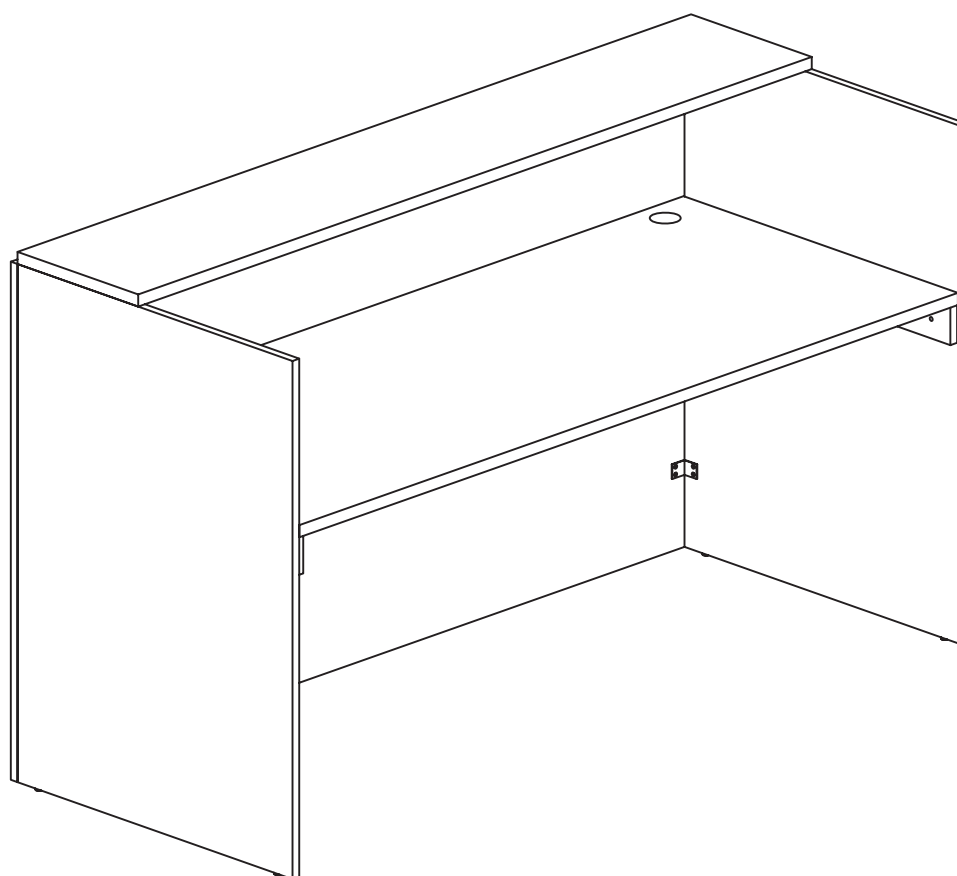
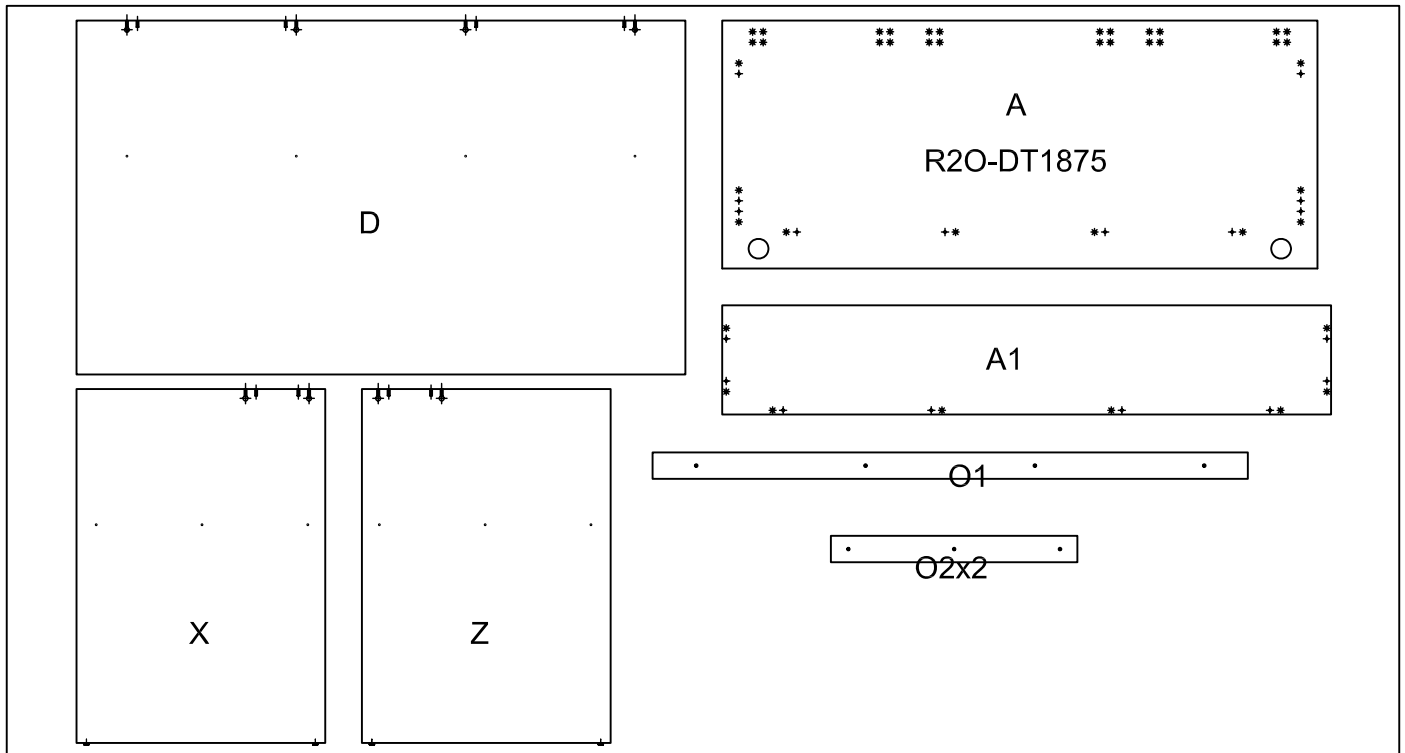








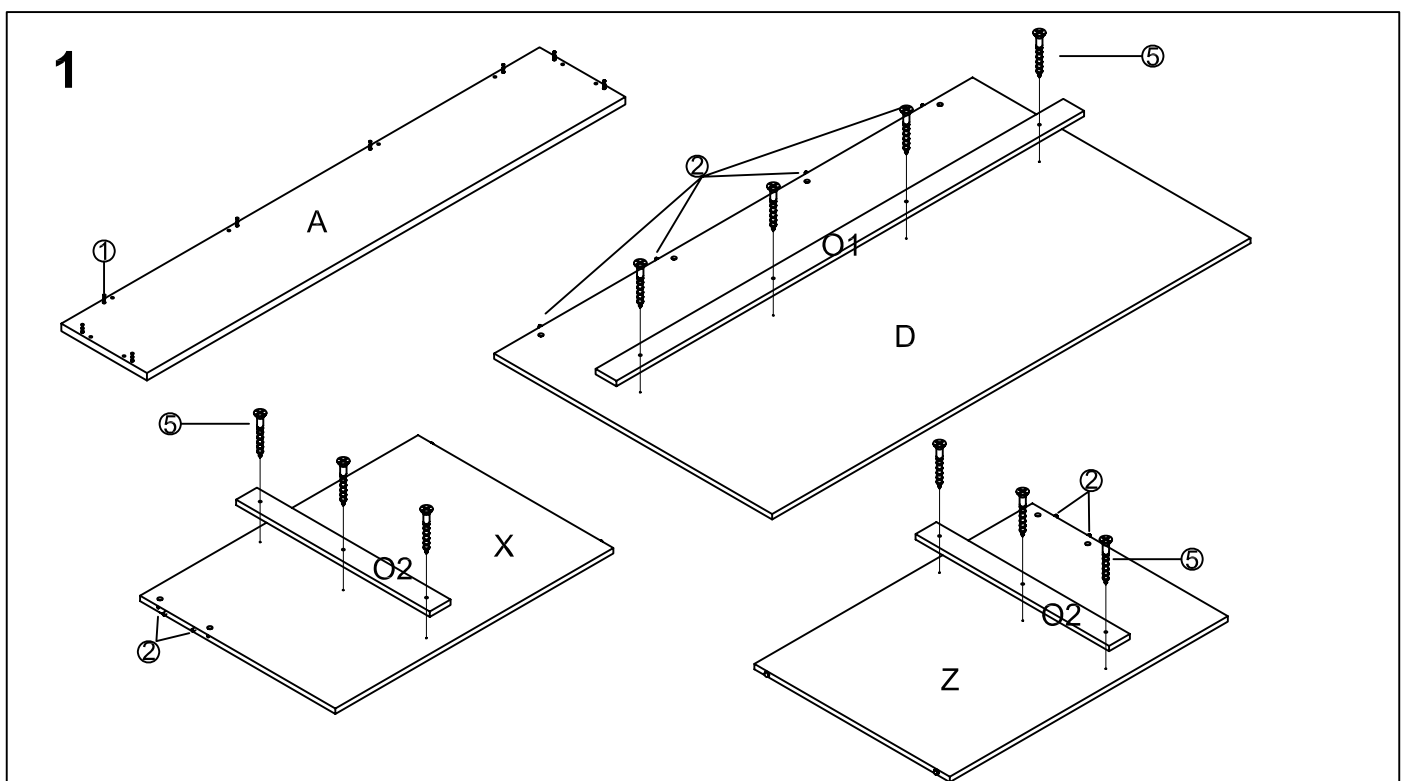
READY2GO

ASSEMBLY INSTRUCTIONS
FULL FRONT Reception Desk
R20-DFF187





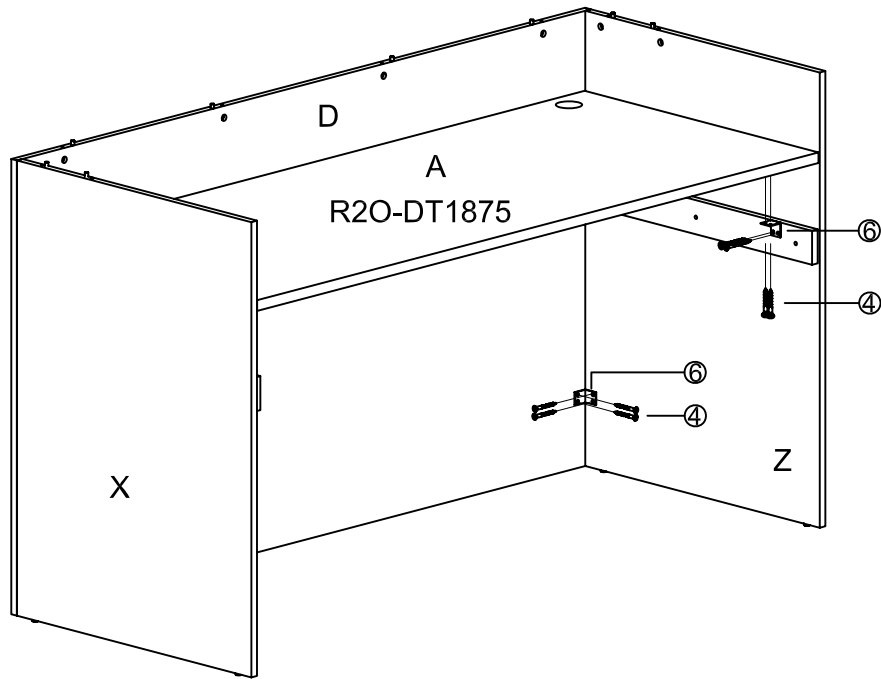
pin  6x35 ① 8PCS	Dowel  8x30 ② 8PCS	Cam Cover  ③ 8PCS	Screw  4x16 ④ 40PCS	Screw  3.5x30 ⑤ 10PCS	Bracket  ⑥ 10PCS
----------------------------------------------------------------------------------------------------------------	------------------------------------------------------------------------------------------------------------------	--------------------------------------------------------------------------------------------------------------	-------------------------------------------------------------------------------------------------------------------	-----------------------------------------------------------------------------------------------------------------------	---------------------------------------------------------------------------------------------------------------



Preparation for Top panel A Side panel X/Z, back panels D, Batten O1, O2.

1. Fix cams on panel Y into cam bolts ① on panel D and tighten in a clockwise direction as illustrated above.
2. Joining panel D and side panel O1 with ⑤ and tighten in a clockwise direction as illustrated above.
3. Joining panel X, Z and side panel O2 with ⑤ and tighten in a clockwise direction as illustrated above.

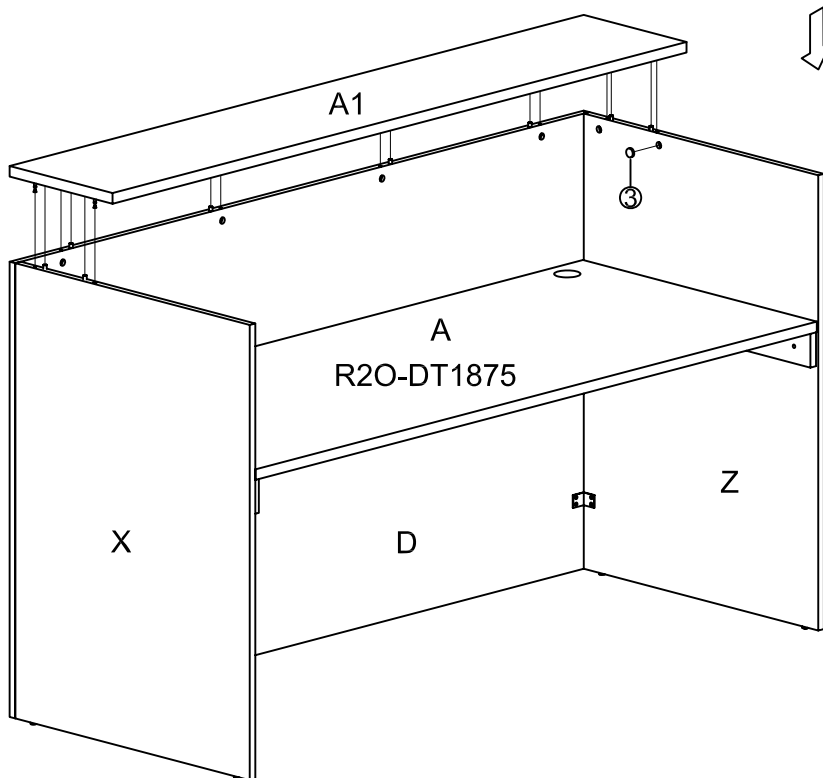
2



Desk top panel A assembly.

1. Joining panel D and side panel X,Z with ④⑥ and tighten in a clockwise direction as illustrated above.
2. Joining panel A and side panel O1,O2 with ④⑥ and tighten in a clockwise direction as illustrated above.

3



Desk top panel A1 assembly.

1. Insert cam bolts ① on panel A1 into cams on panels Z/X and D and tighten in a clockwise direction as illustrated above.