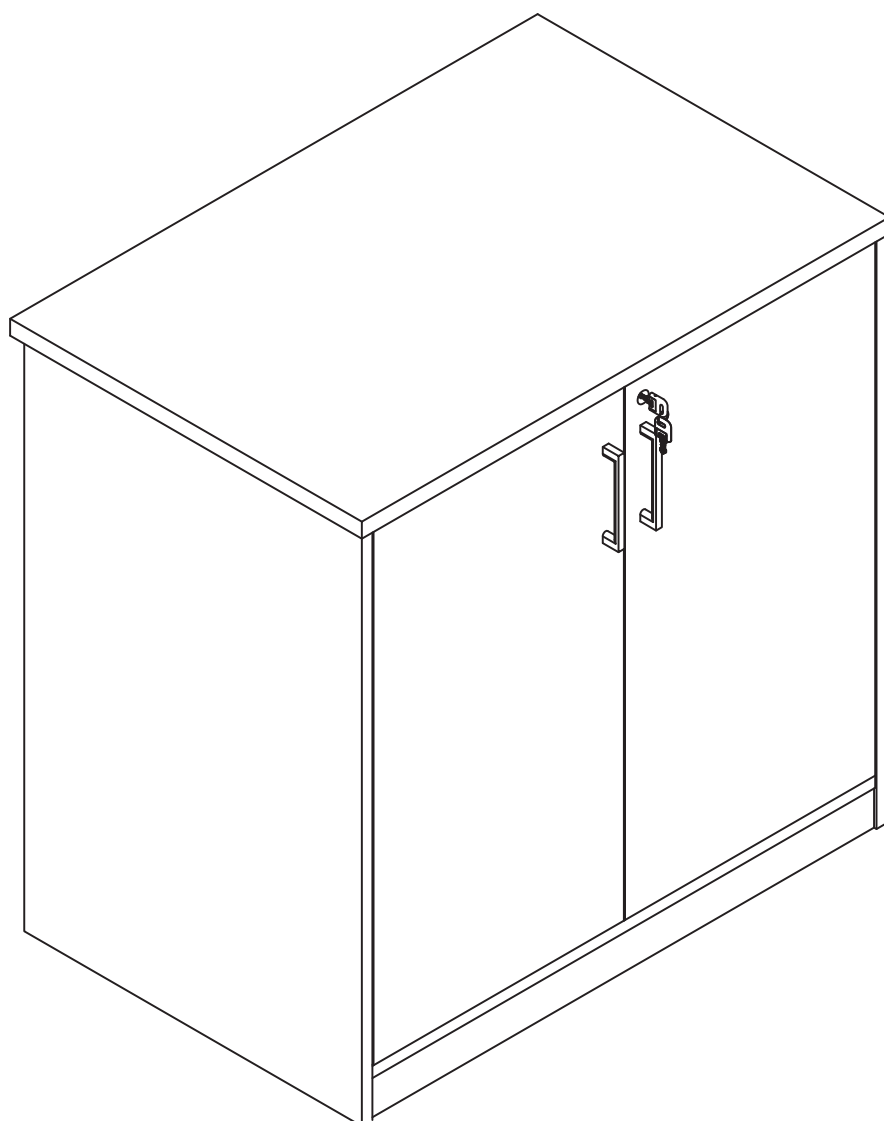
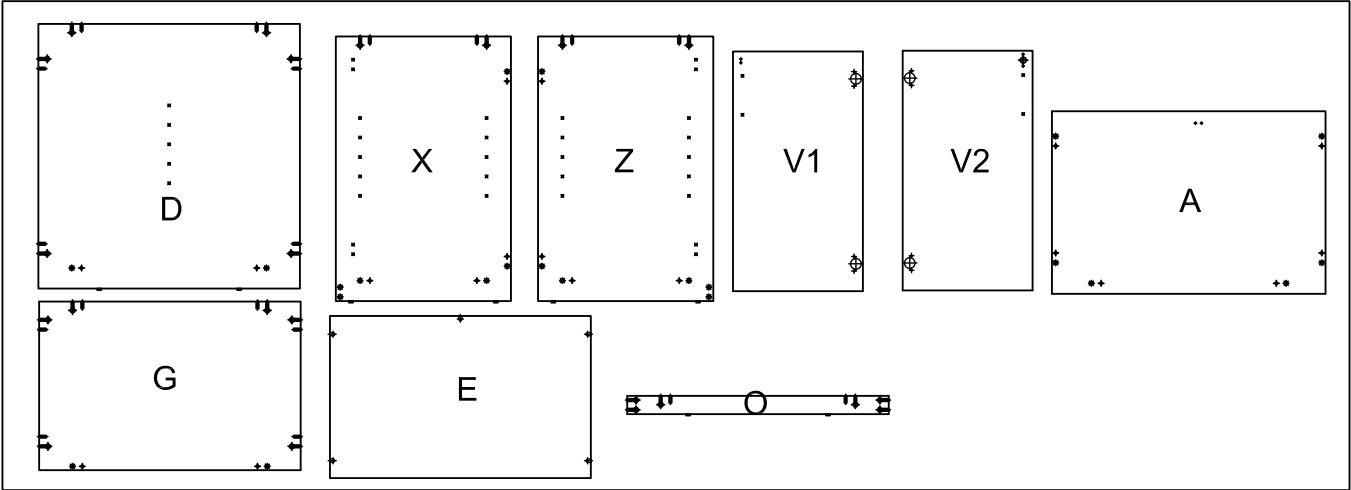


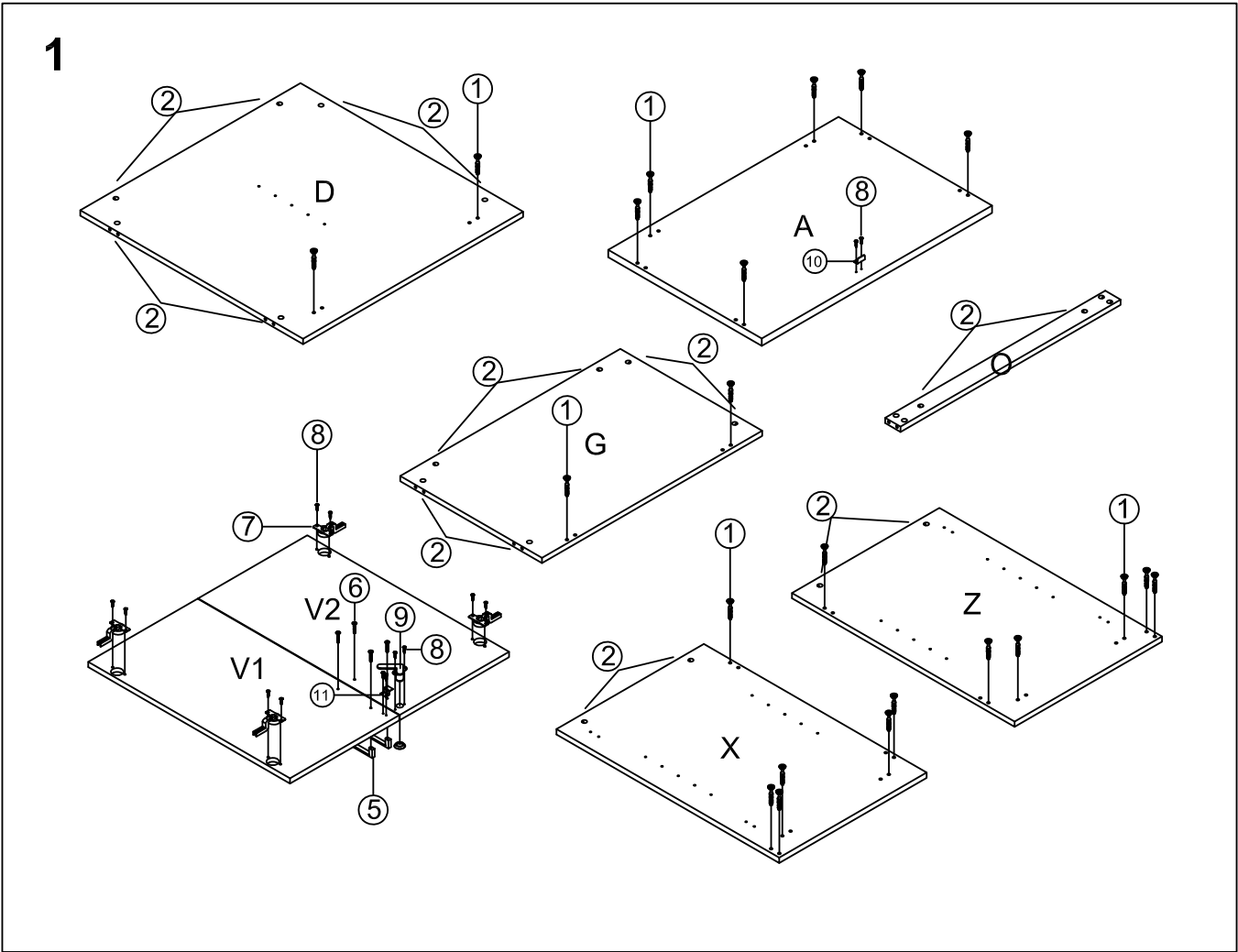
READY **2GO**

ASSEMBLY INSTRUCTIONS
Hinged Door Cupboard 900W
R2O-HINC9

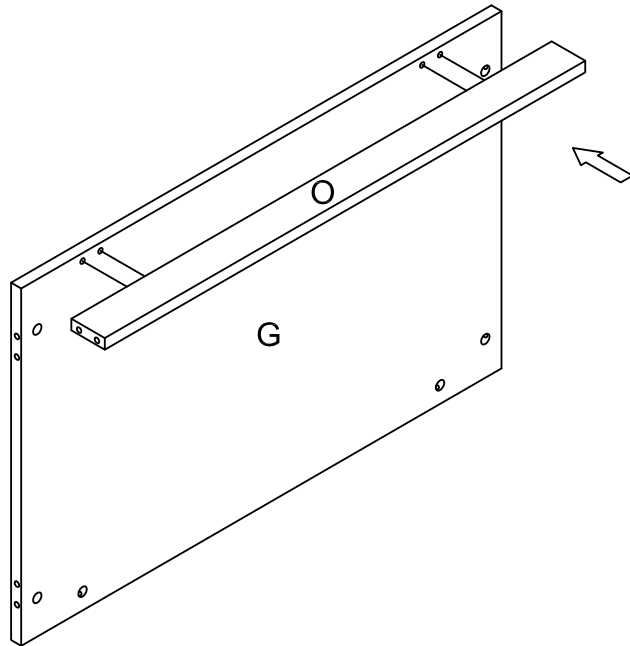




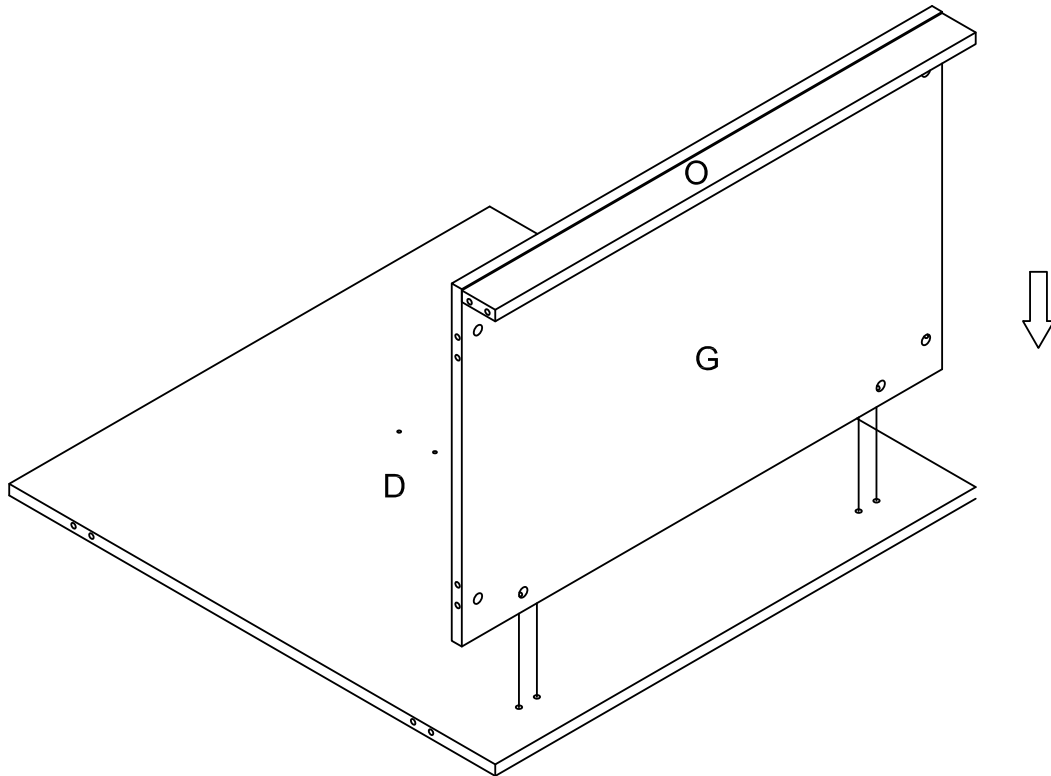
<p>pin 6×35</p> <p>①</p> <p>22PCS</p>	<p>Dowel 8×30</p> <p>②</p> <p>18PCS</p>	<p>Cam Cover</p> <p>③</p> <p>22PCS</p>	<p>Bolt Minifix</p> <p>④</p> <p>5PCS</p>	<p>Handle</p> <p>⑤</p> <p>2PCS</p>	<p>Screw 4×22</p> <p>⑥</p> <p>4PCS</p>
<p>Hinge&Mount Plate</p> <p>⑦</p> <p>4PCS</p>	<p>Screw 4×16</p> <p>⑧</p> <p>30PCS</p>	<p>Lock</p> <p>⑨</p> <p>1 PCS</p>	<p>Lock Catch</p> <p>⑩</p> <p>1 PCS</p>	<p>Lock Catch</p> <p>⑪</p> <p>1 PCS</p>	



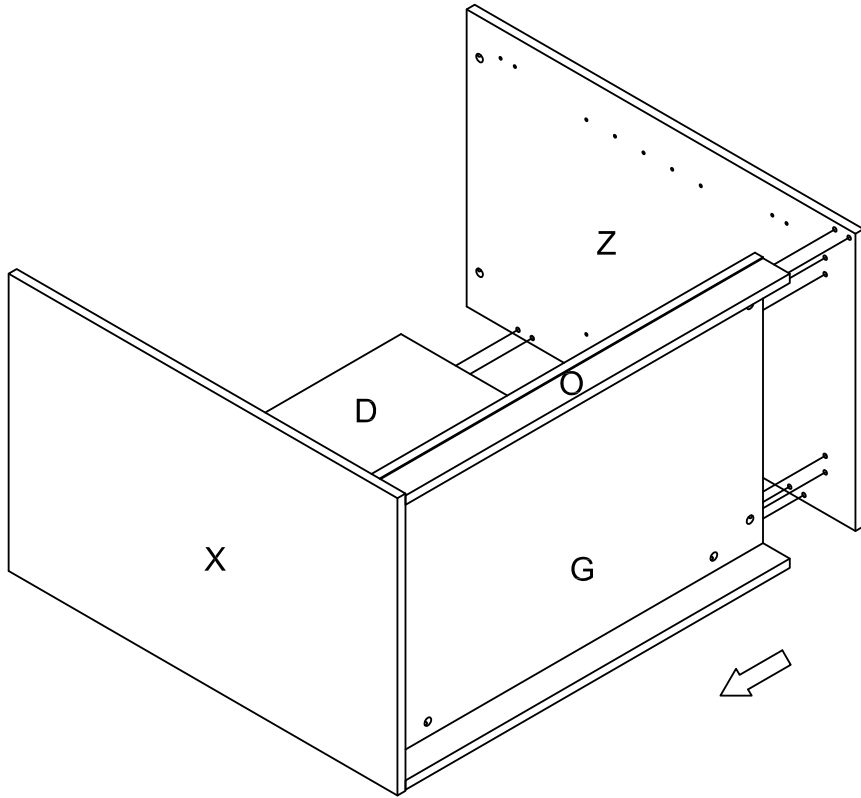
2



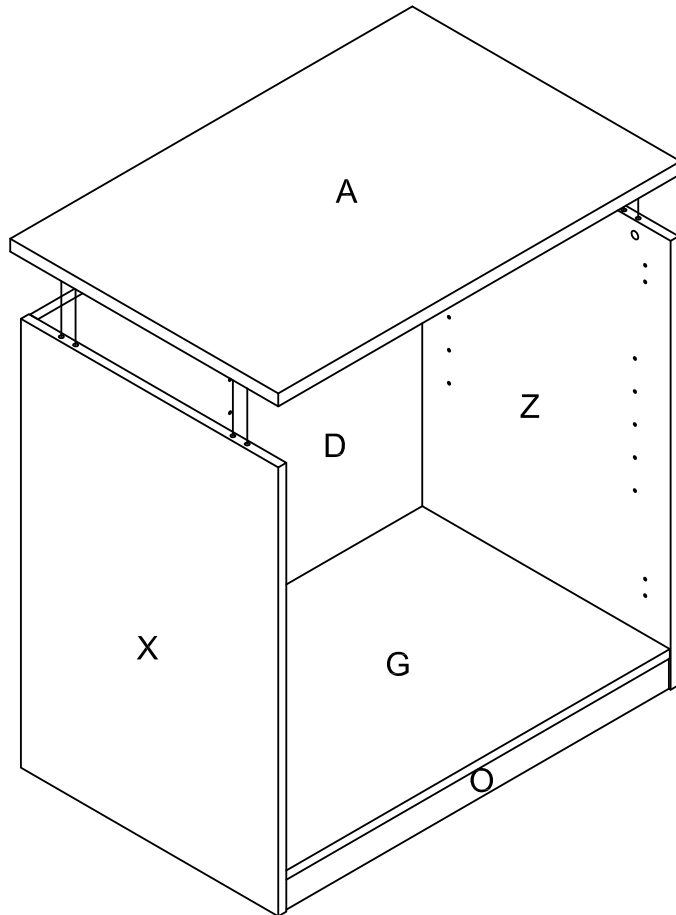
3



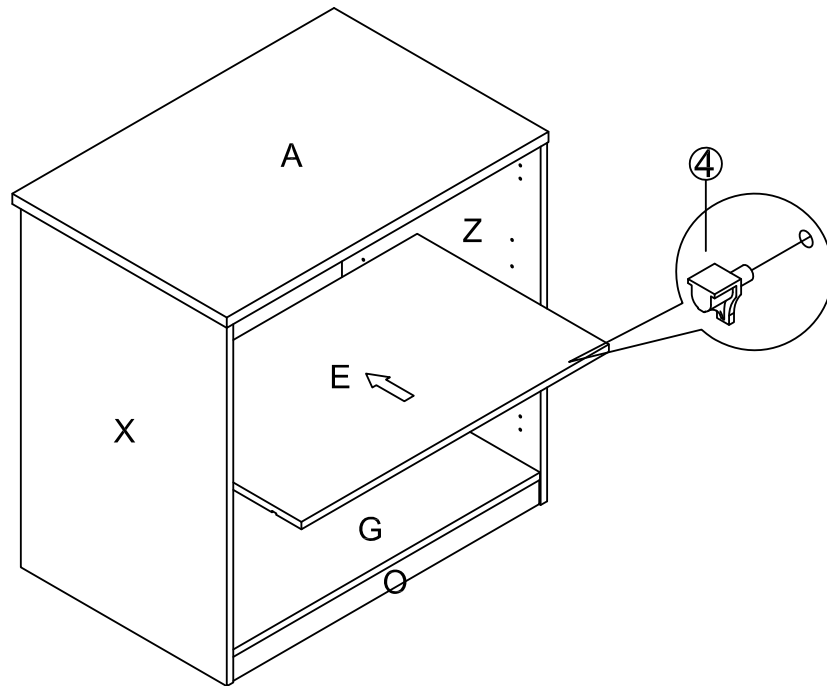
4



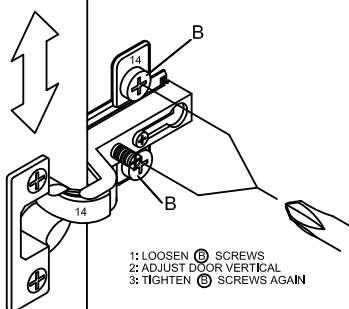
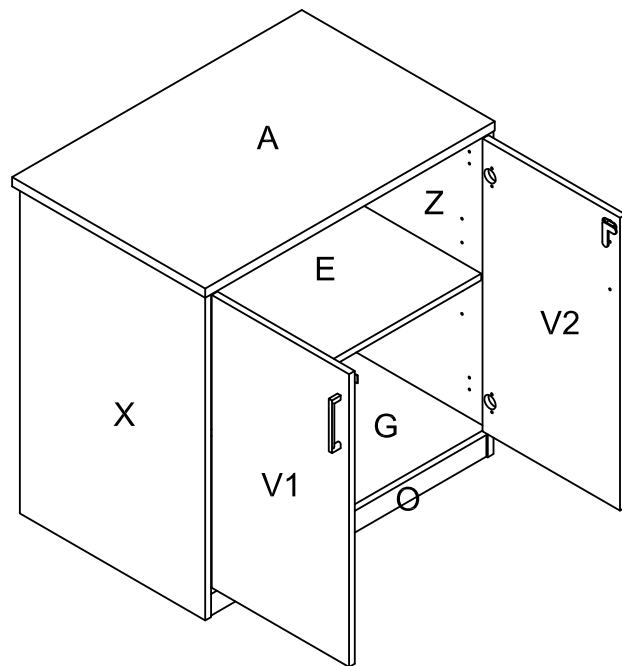
5



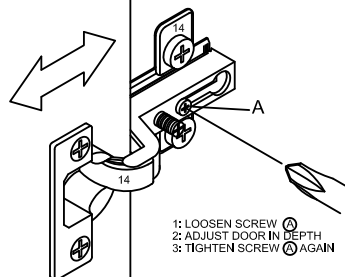
6



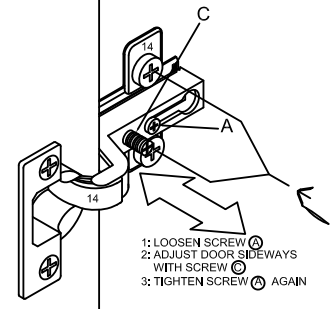
7



1: LOOSEN SCREW B
2: ADJUST DOOR VERTICAL
3: TIGHTEN SCREW B AGAIN



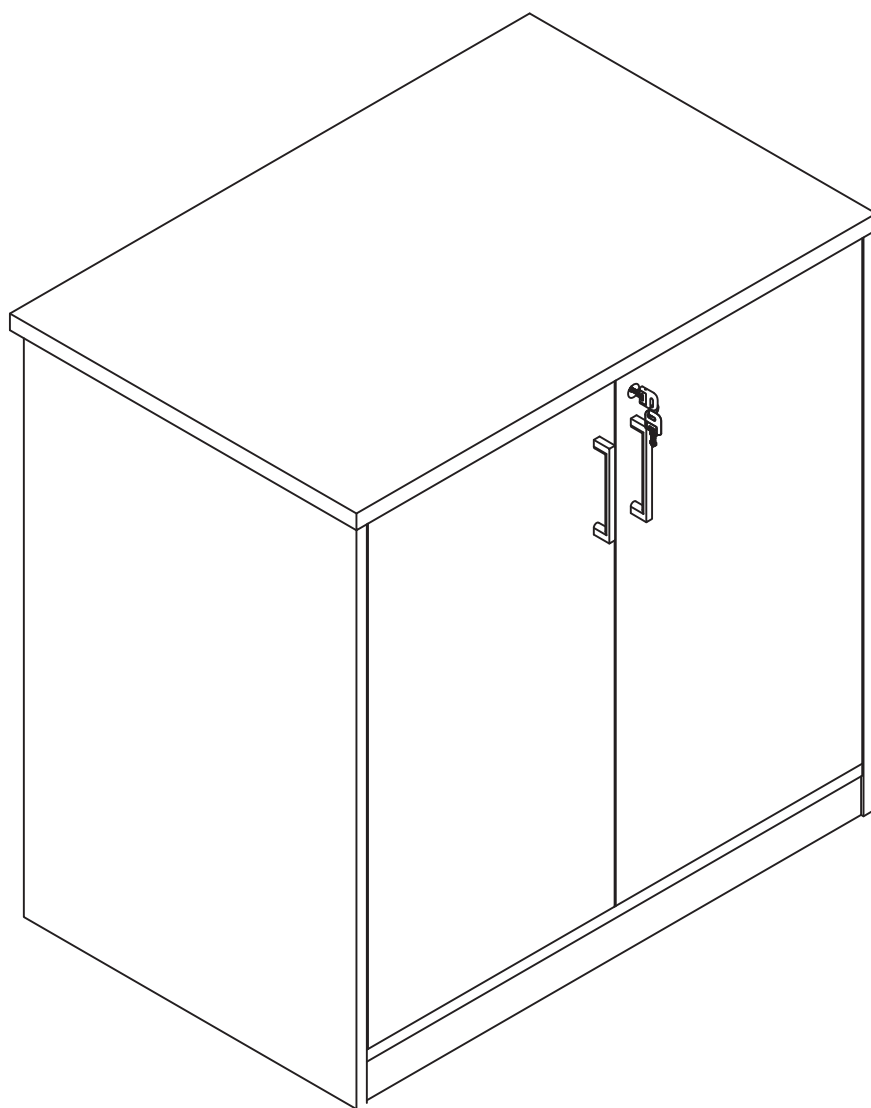
1: LOOSEN SCREW A
2: ADJUST DOOR IN DEPTH
3: TIGHTEN SCREW A AGAIN

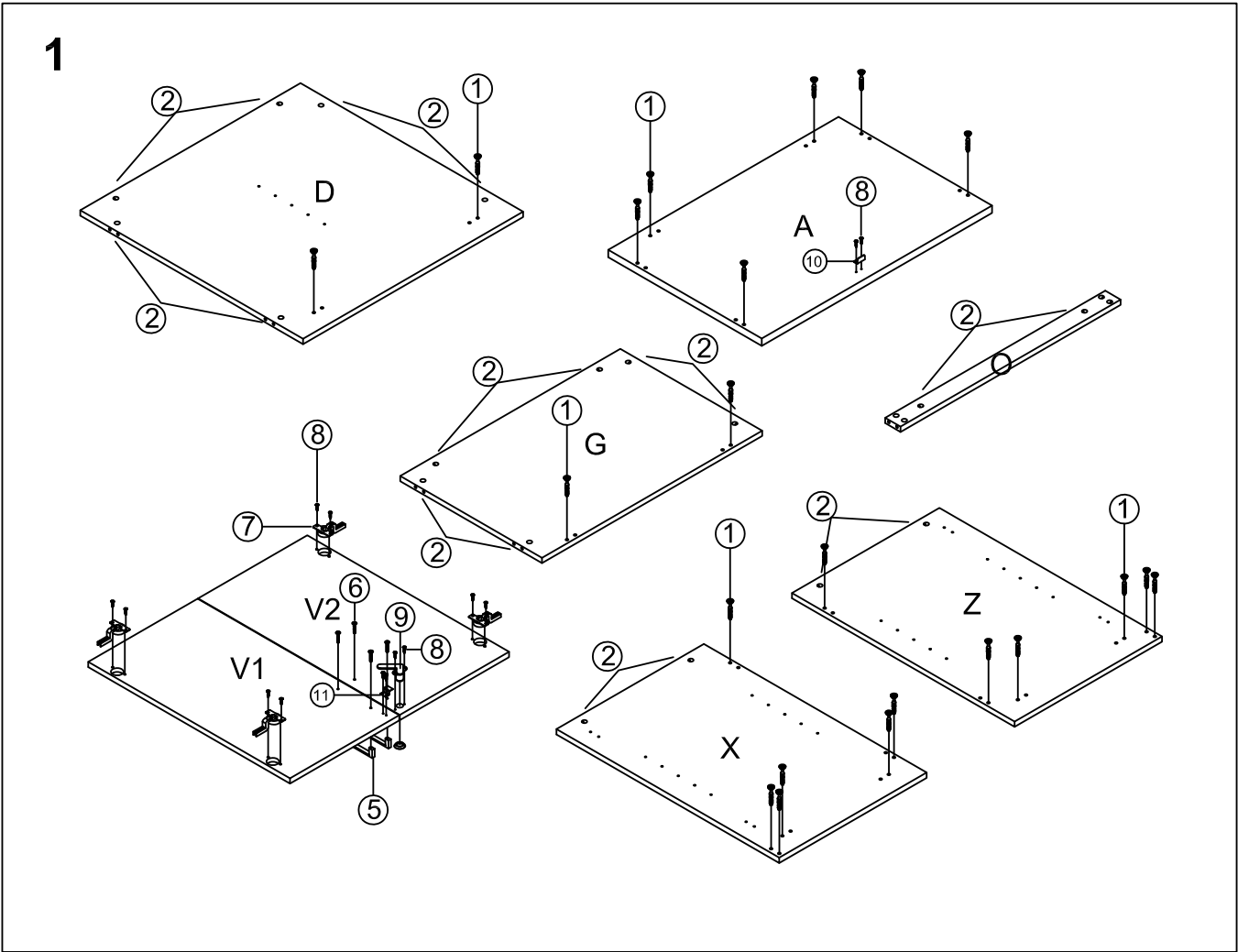
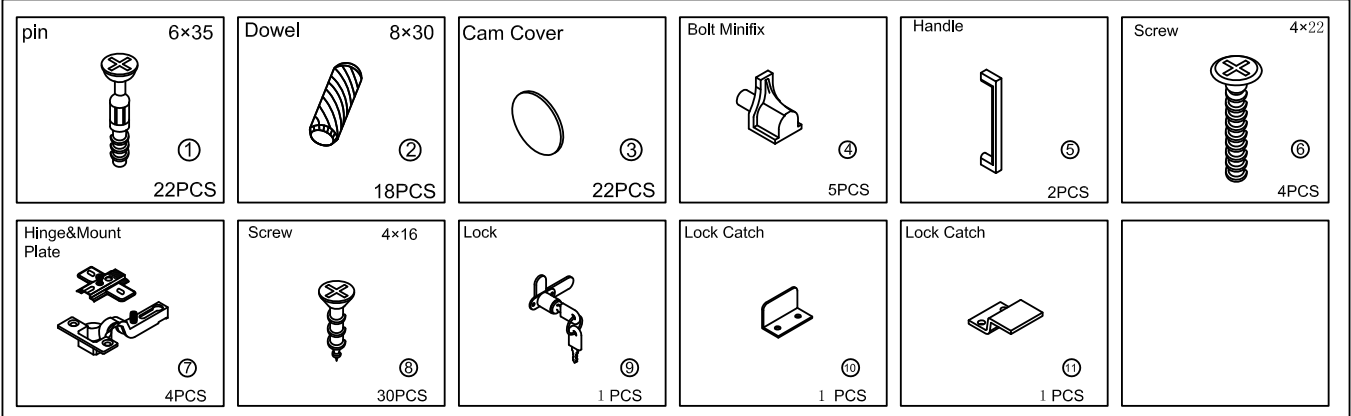
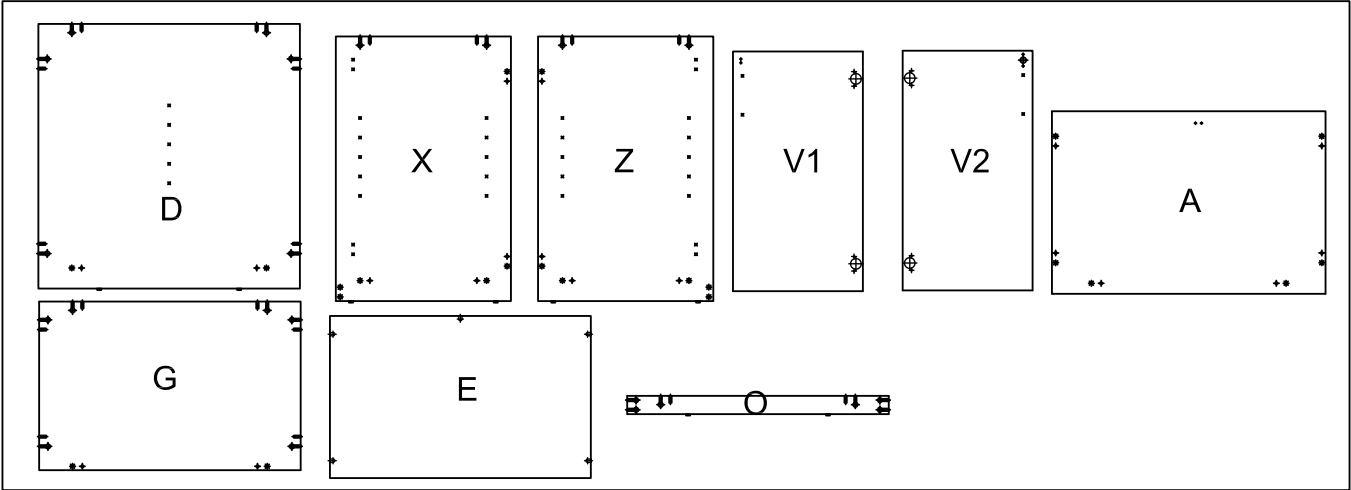


1: LOOSEN SCREW C
2: ADJUST DOOR SIDWAYS
WITH SCREW C
3: TIGHTEN SCREW C AGAIN

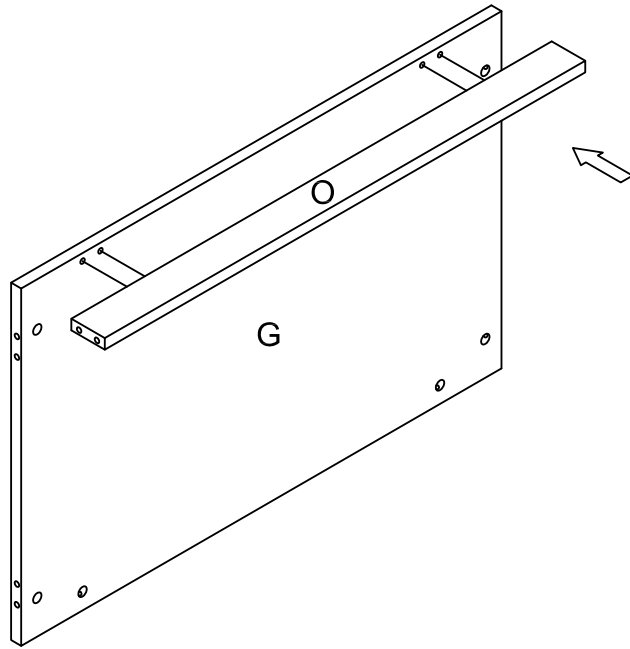
READY **2GO**

ASSEMBLY INSTRUCTIONS
Hinged Door Cupboard 1200W
R2O-HINCUI2

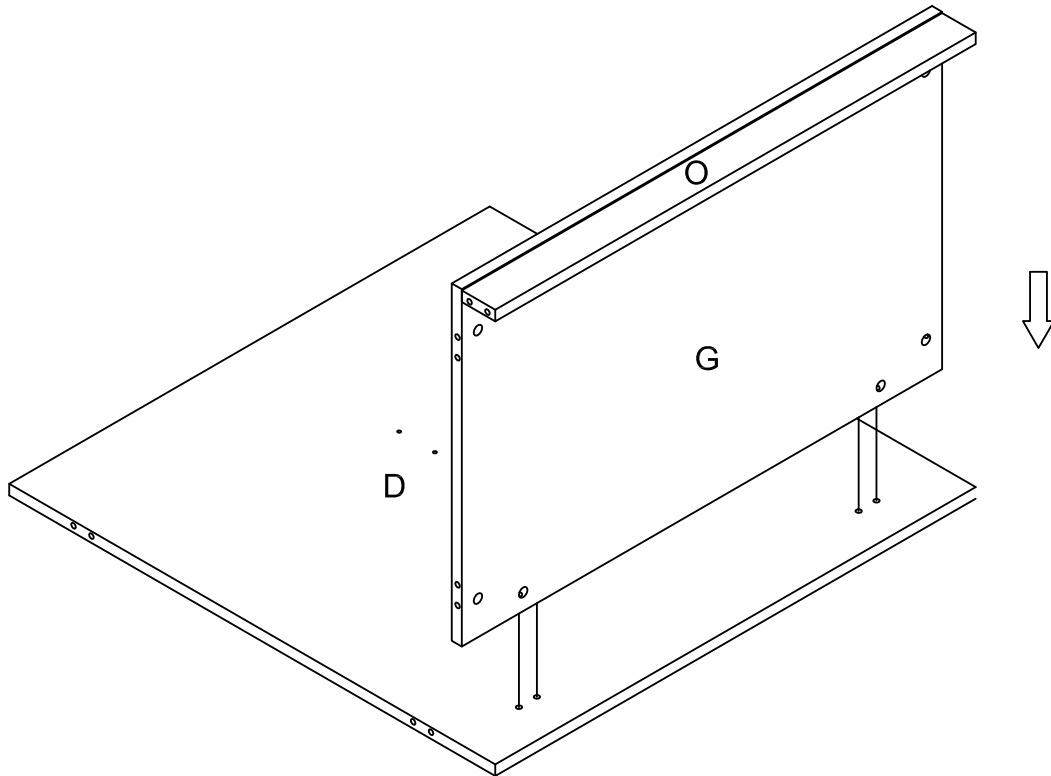




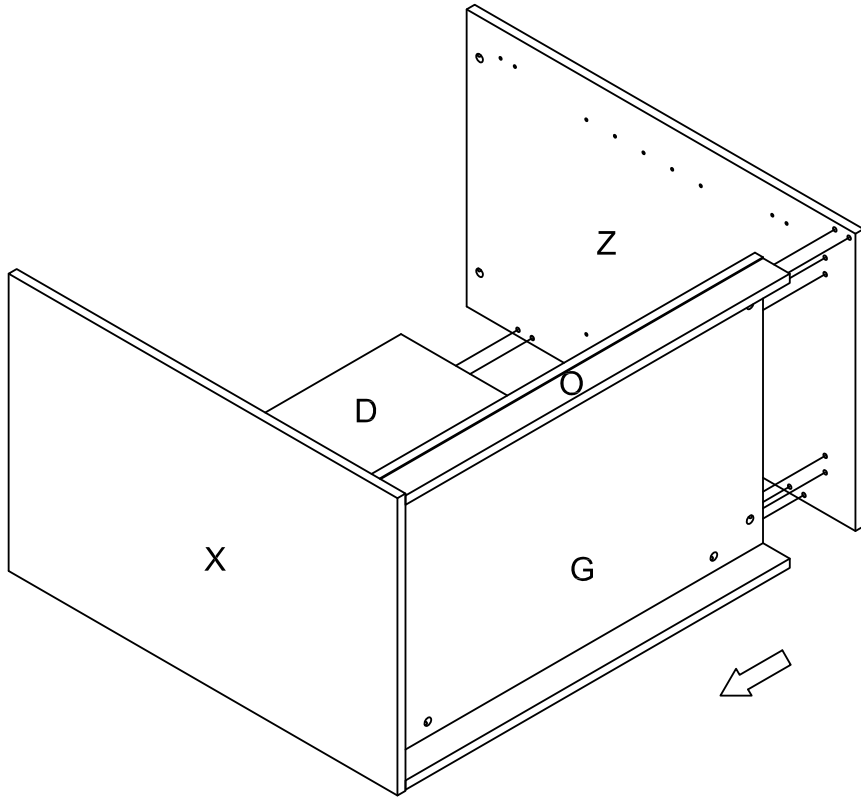
2



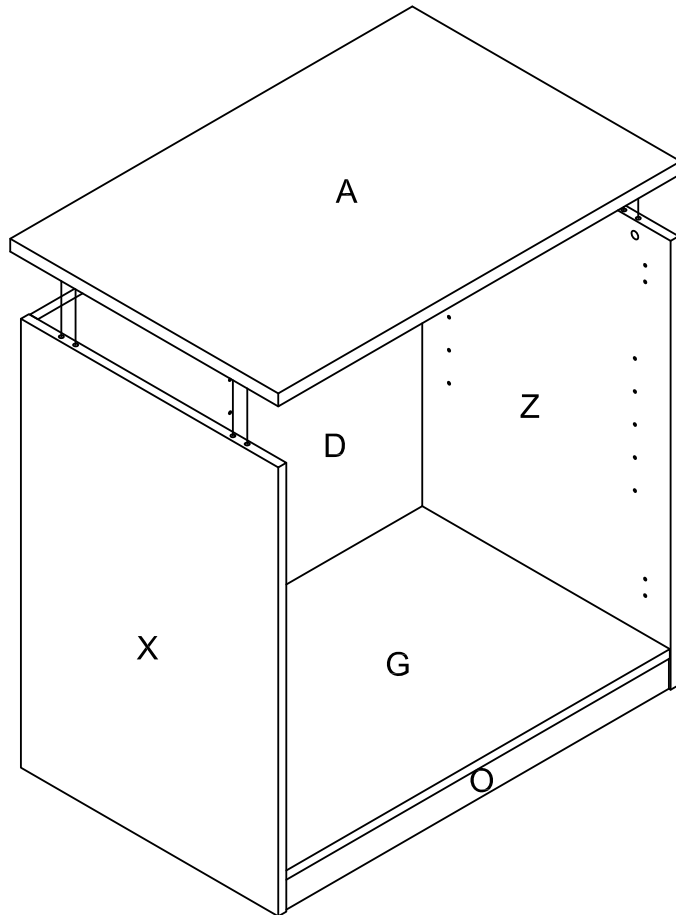
3



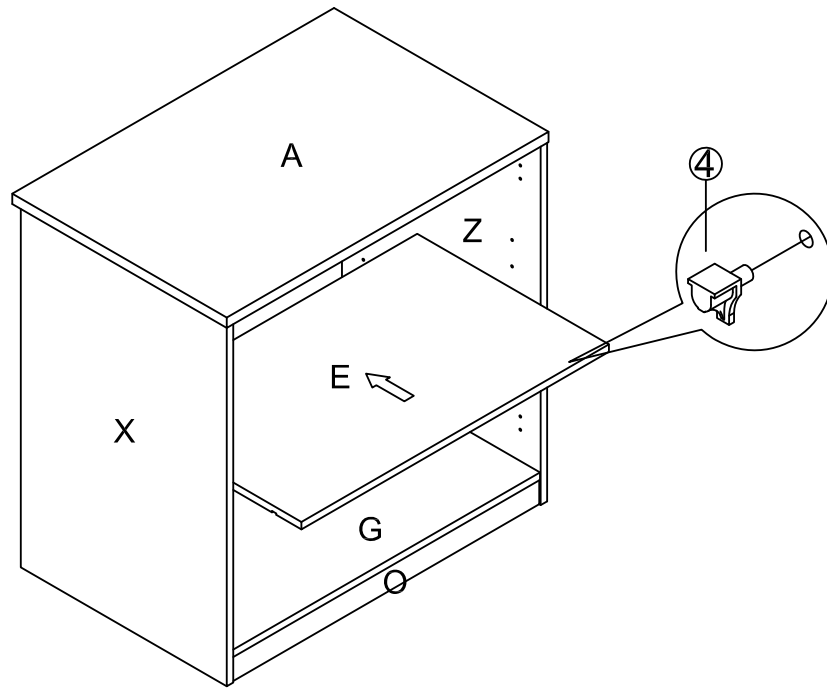
4



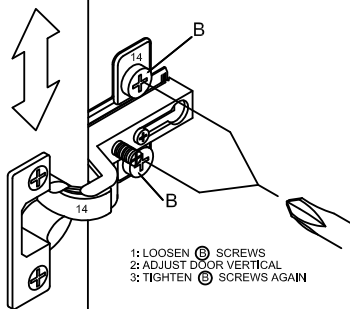
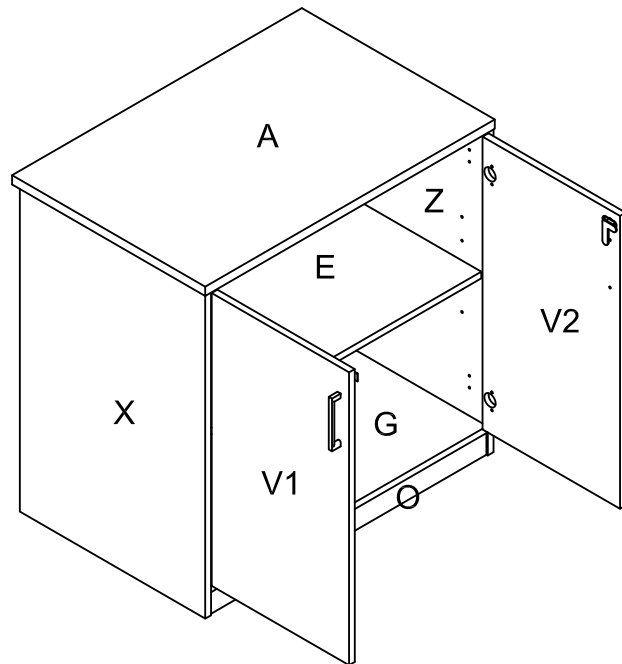
5



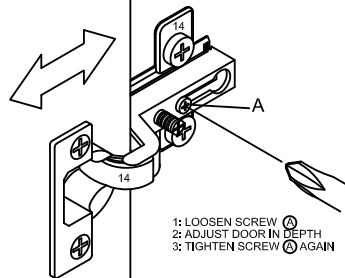
6



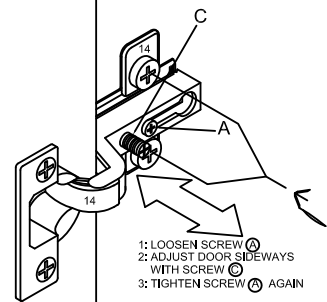
7



- 1: LOOSEN SCREW B
- 2: ADJUST DOOR VERTICAL
- 3: TIGHTEN SCREWS AGAIN



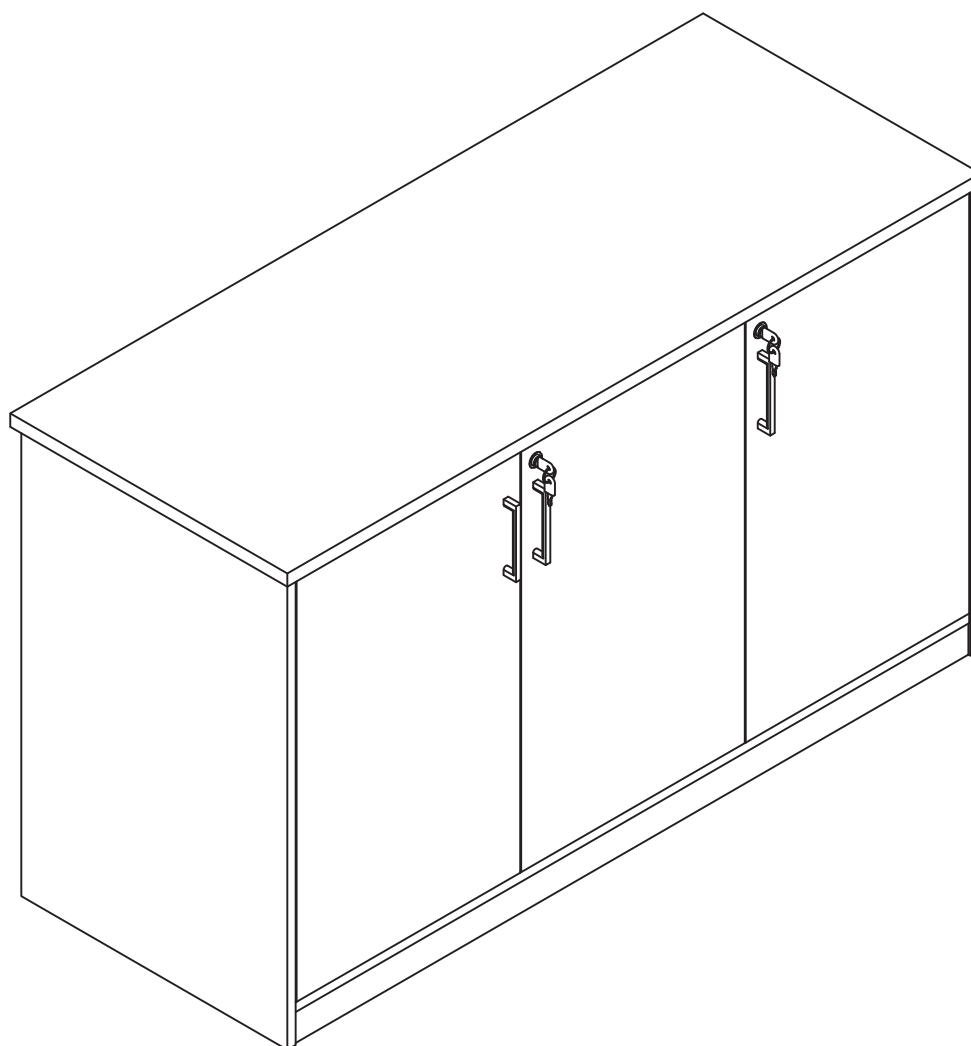
- 1: LOOSEN SCREW A
- 2: ADJUST DOOR IN DEPTH
- 3: TIGHTEN SCREW A AGAIN

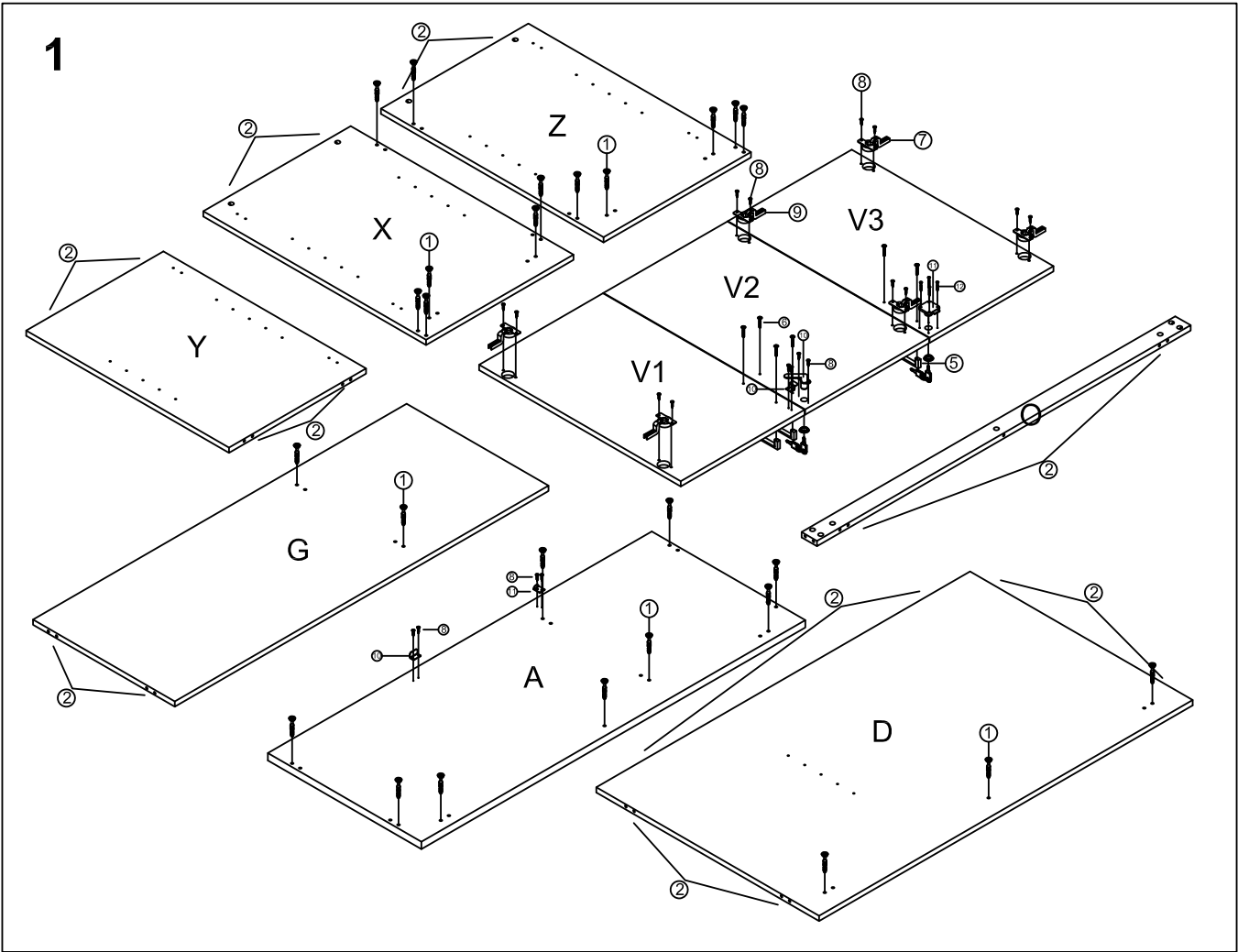
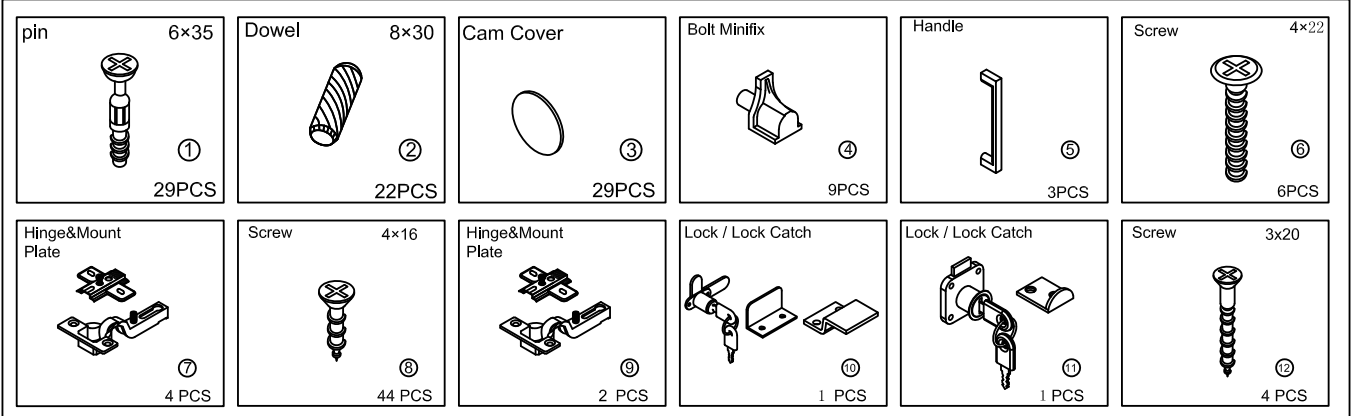
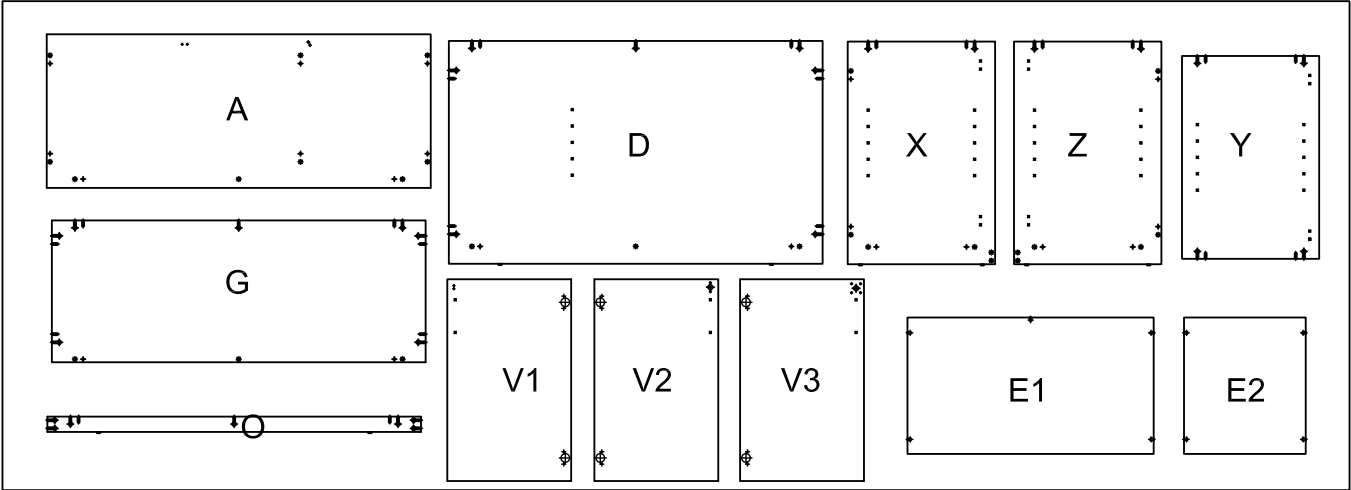


- 1: LOOSEN SCREW C
- 2: ADJUST DOOR SIDWAYS WITH SCREW C
- 3: TIGHTEN SCREW C AGAIN

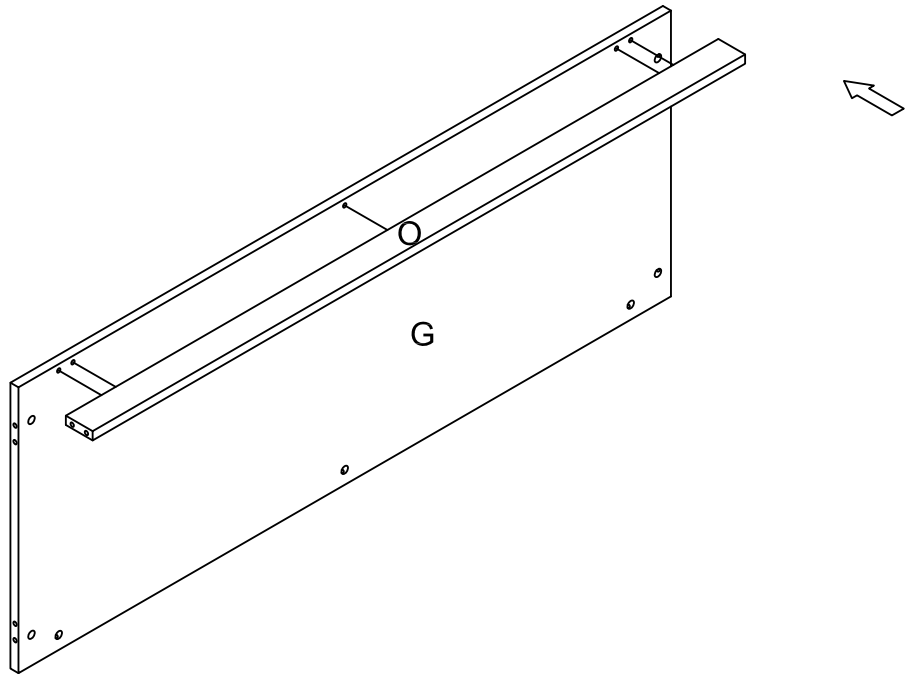
READY2GO

ASSEMBLY INSTRUCTIONS
Hinged Door Cupboard 1500W
R2O-HINCUI5

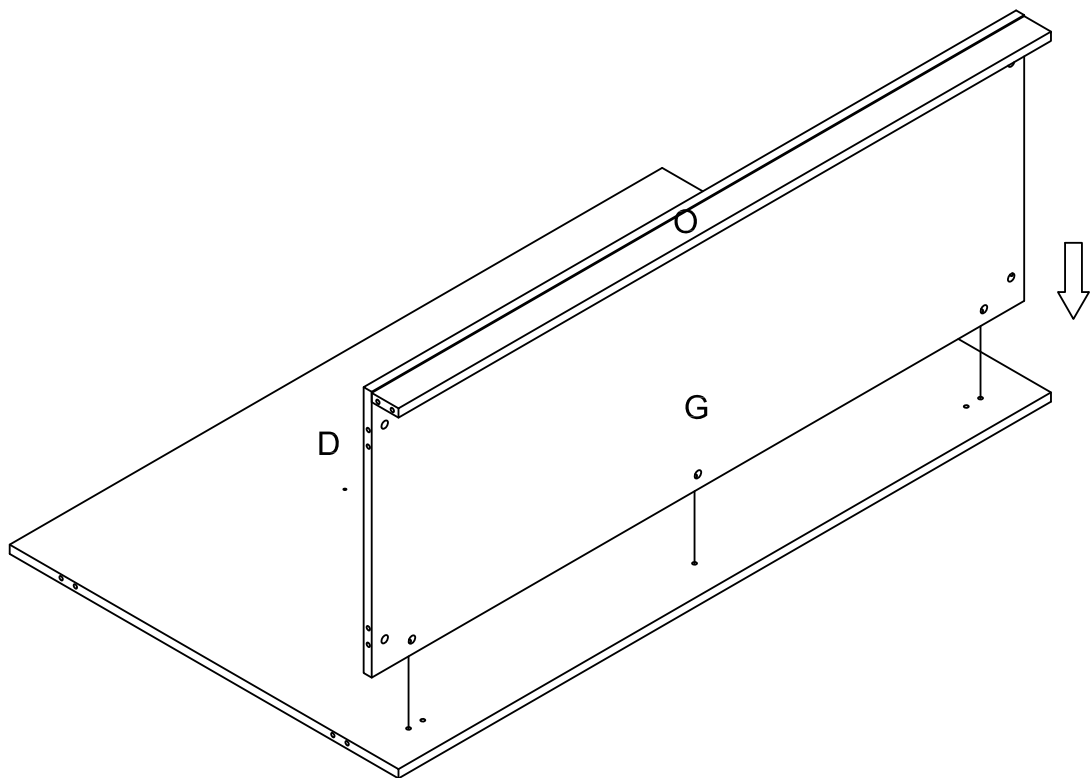




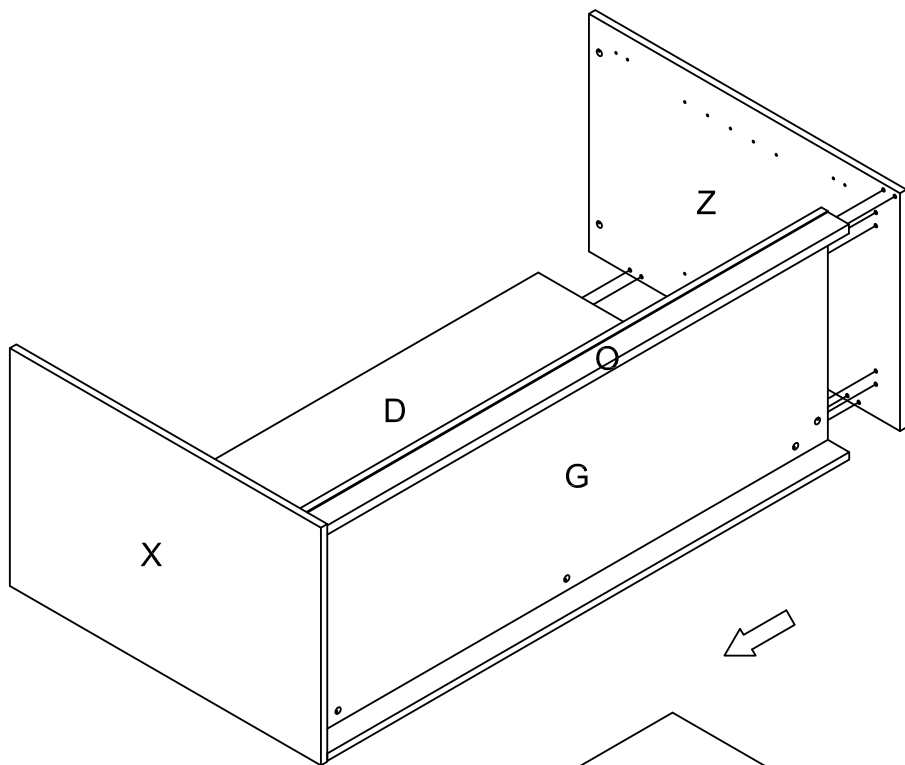
2



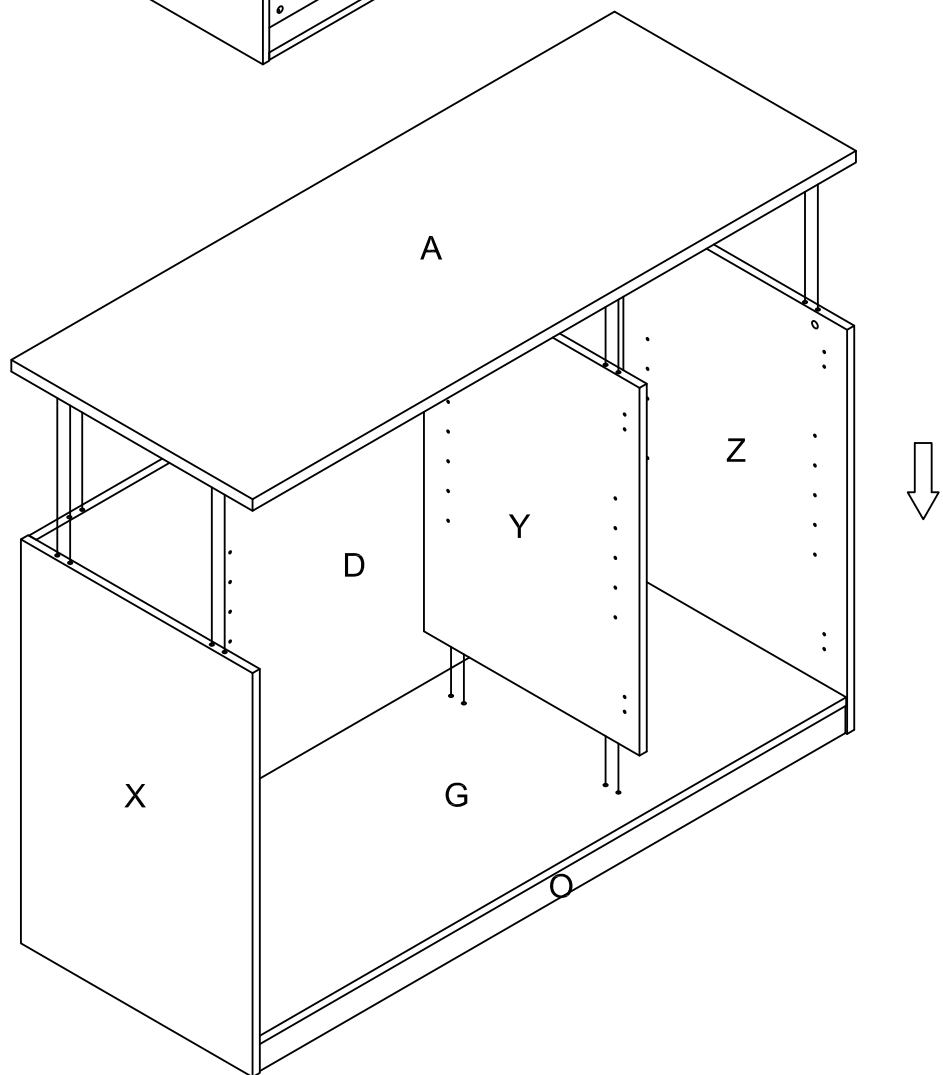
3



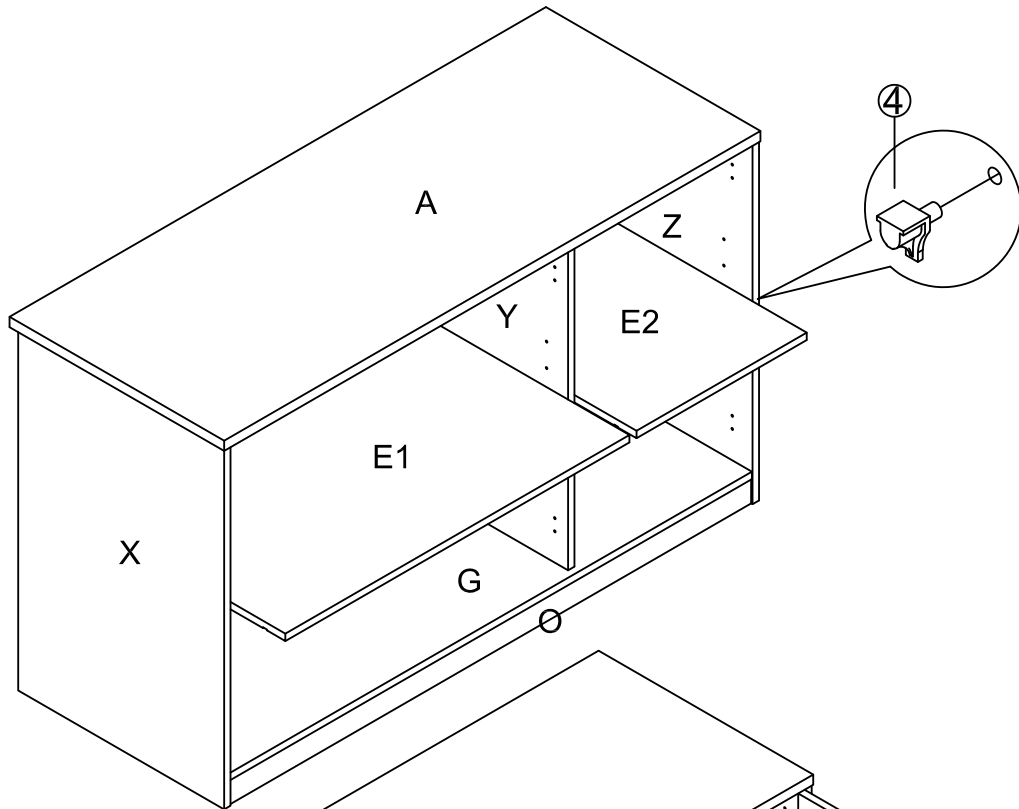
4



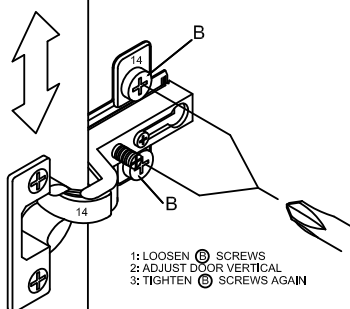
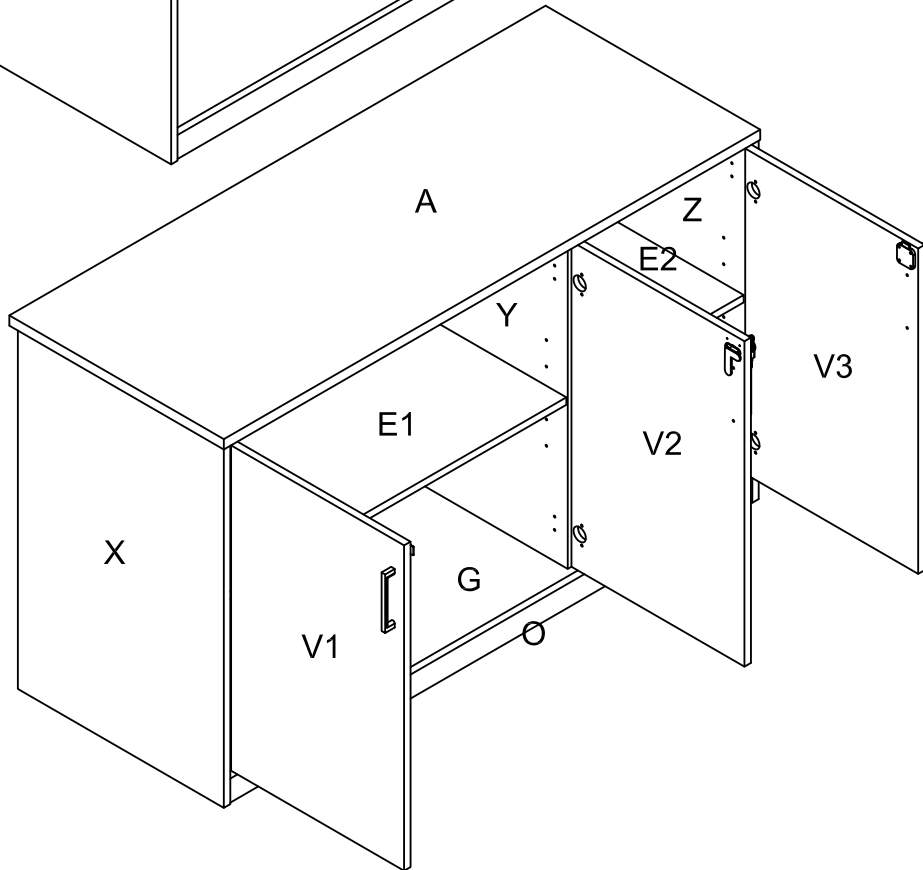
5



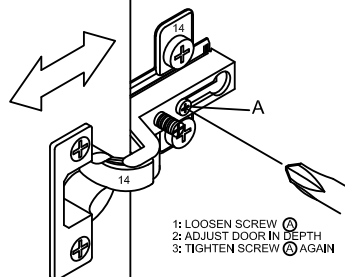
6



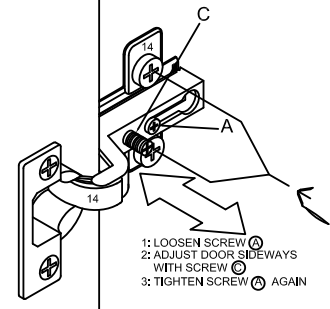
7



- 1: LOOSEN ⓐ SCREWS
- 2: ADJUST DOOR VERTICAL
- 3: TIGHTEN ⓐ SCREWS AGAIN



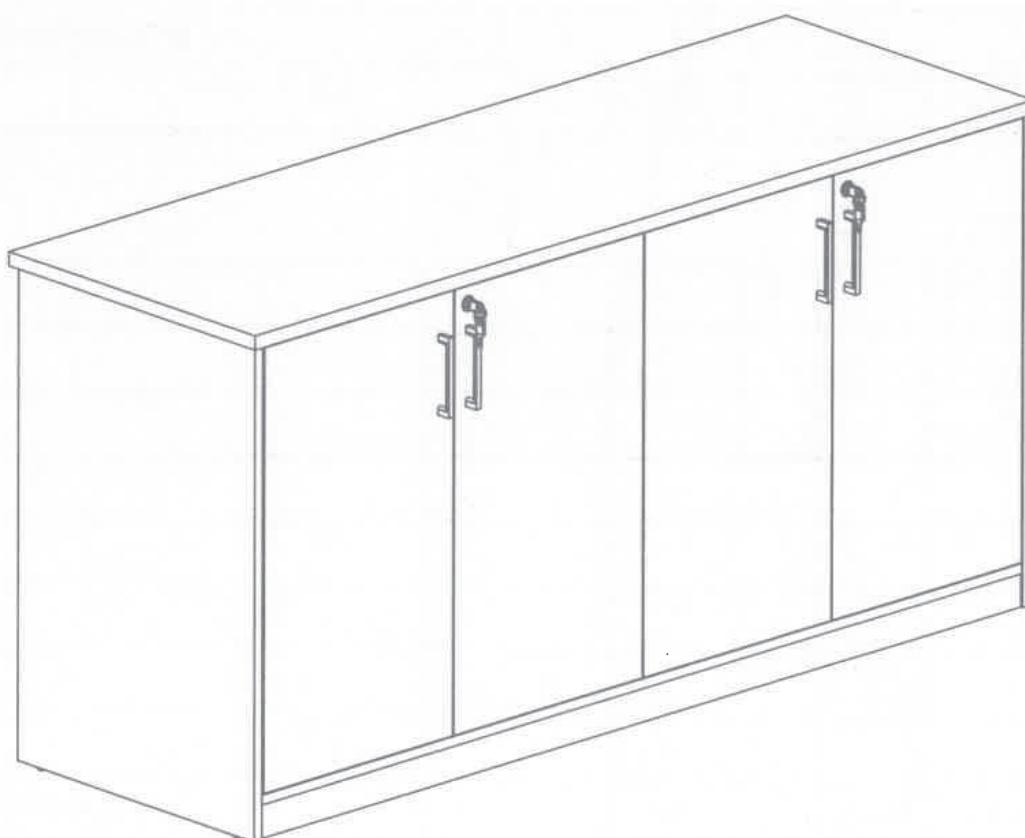
- 1: LOOSEN SCREW ⓐ
- 2: ADJUST DOOR IN DEPTH
- 3: TIGHTEN SCREW ⓐ AGAIN

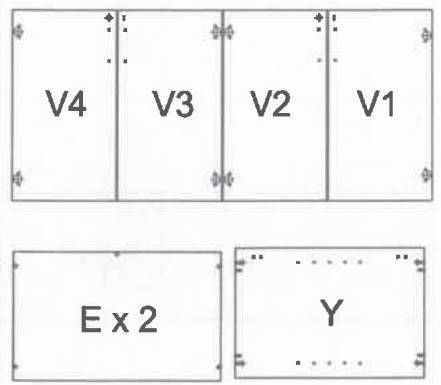
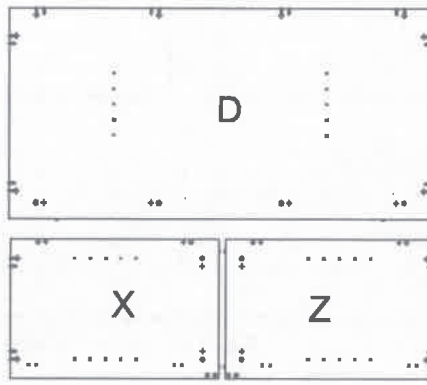
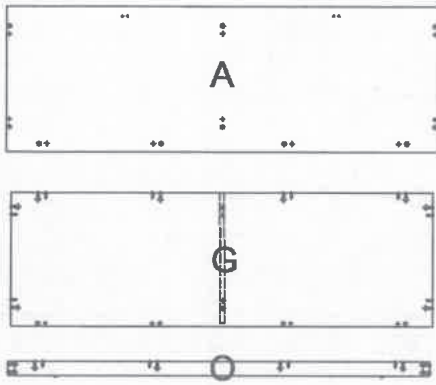














- 1: LOOSEN SCREW ⓐ
- 2: ADJUST DOOR SIDWAYS WITH SCREW ⓐ
- 3: TIGHTEN SCREW ⓐ AGAIN

READY **2GO**

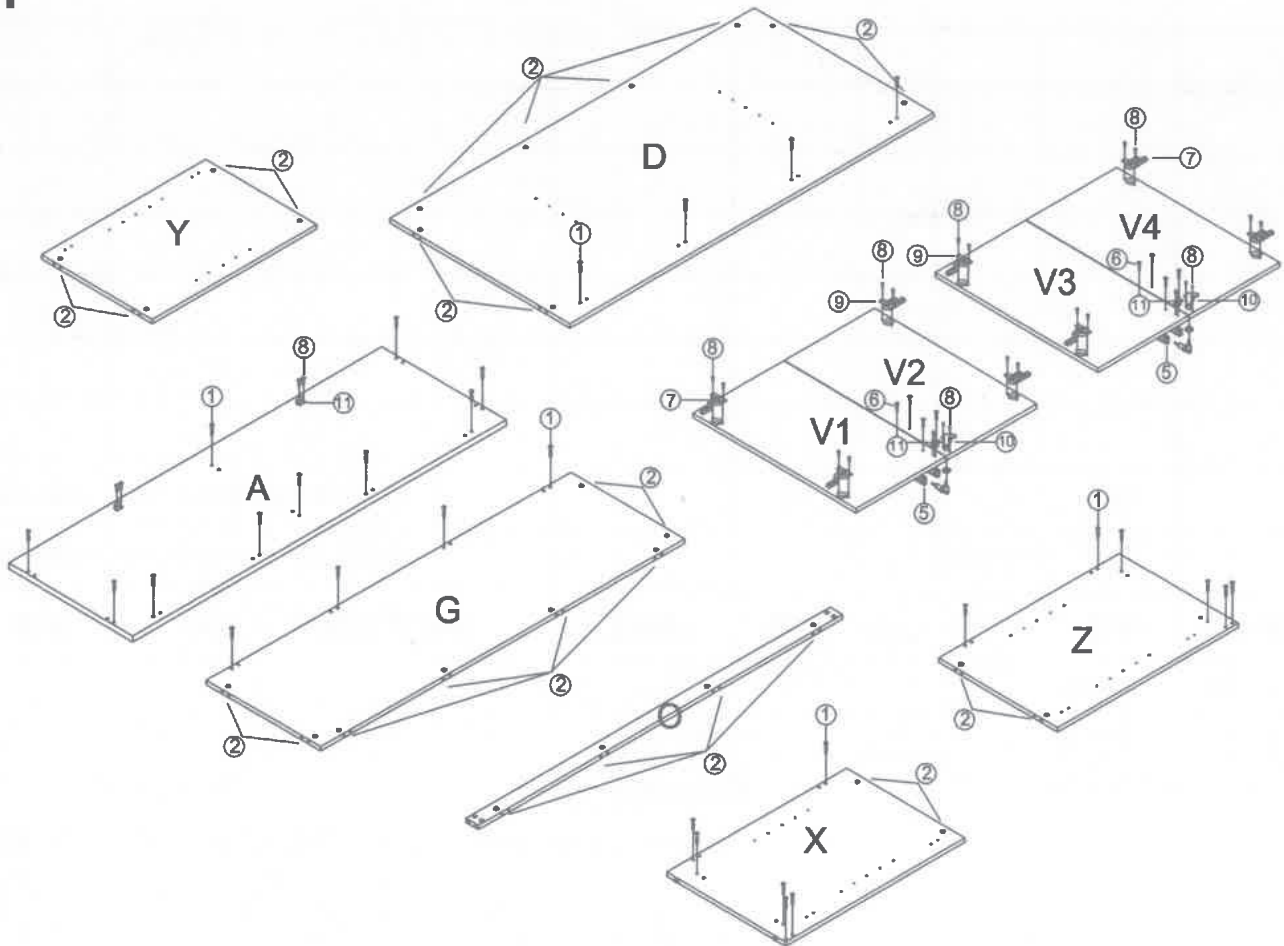
ASSEMBLY INSTRUCTIONS
Hinged Door Cupboard 1800W
R20-HINCUI8



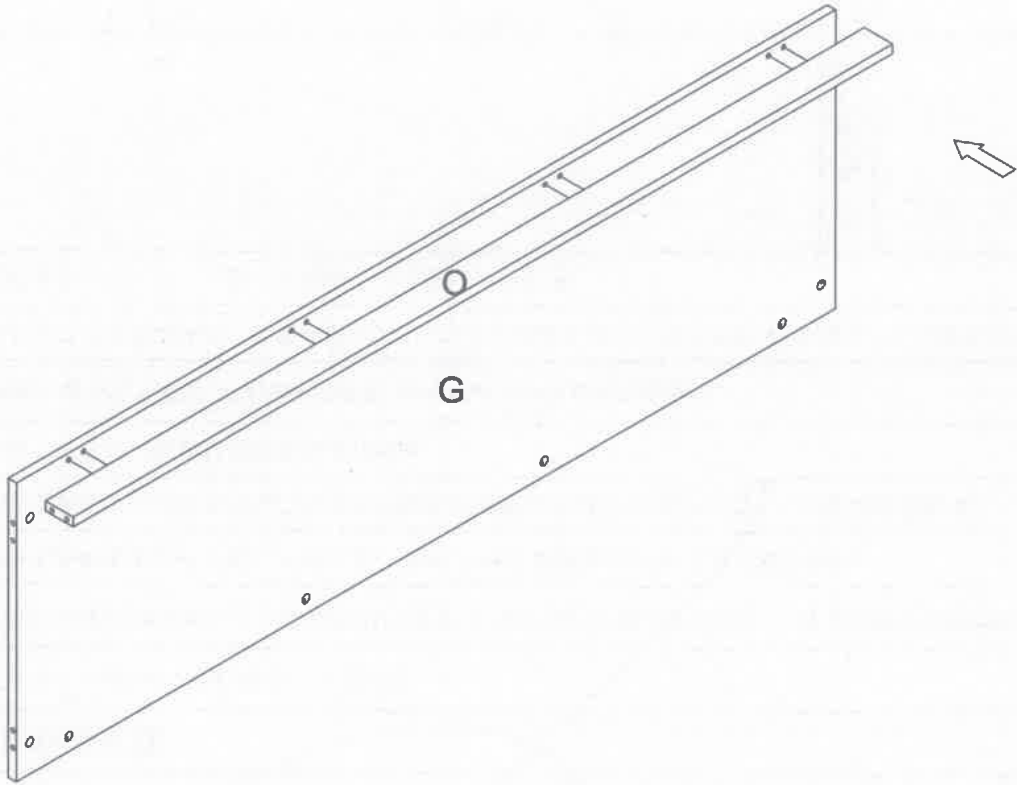


<p>pin 6x35</p>  <p>①</p> <p>32PCS</p>	<p>Dowel 8x30</p>  <p>②</p> <p>28PCS</p>	<p>Cam Cover</p>  <p>③</p> <p>32PCS</p>	<p>Bolt Minifix</p>  <p>④</p> <p>10PCS</p>	<p>Handle</p>  <p>⑤</p> <p>4PCS</p>	<p>Screw 4x22</p>  <p>⑥</p> <p>8PCS</p>
<p>Hinge&Mount Plate</p>  <p>⑦</p> <p>4 PCS</p>	<p>Screw 4x16</p>  <p>⑧</p> <p>60 PCS</p>	<p>Hinge&Mount Plate</p>  <p>⑨</p> <p>4 PCS</p>	<p>Lock</p>  <p>⑩</p> <p>2 PCS</p>	<p>Lock Catch</p>  <p>⑪</p> <p>2 PCS</p>	<p>Lock Catch</p>  <p>⑫</p> <p>2 PCS</p>

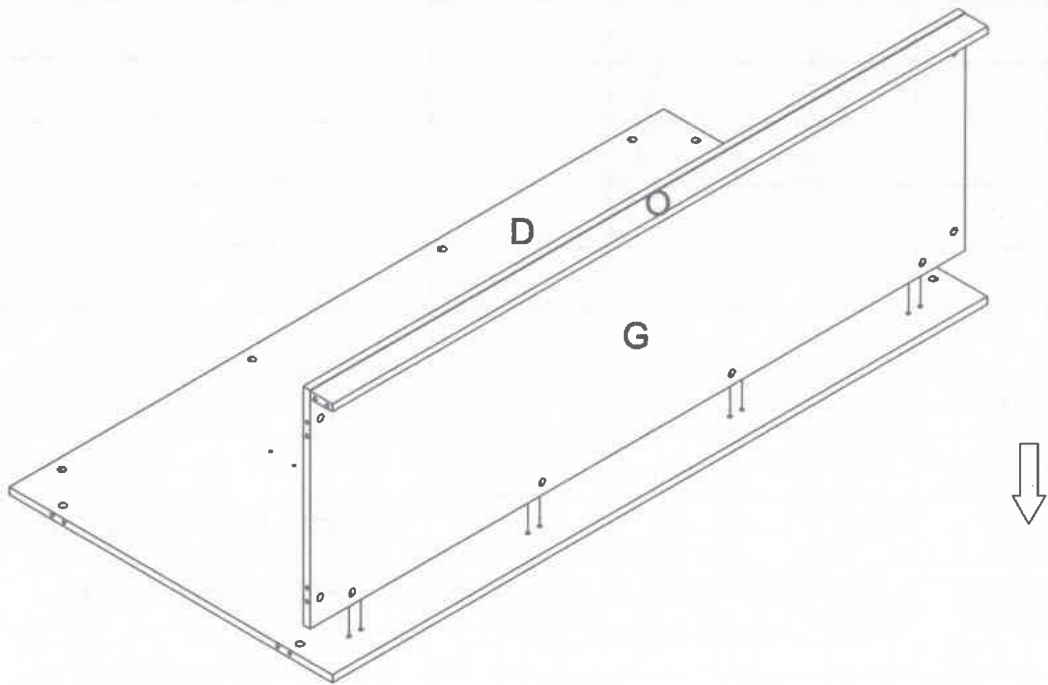
1



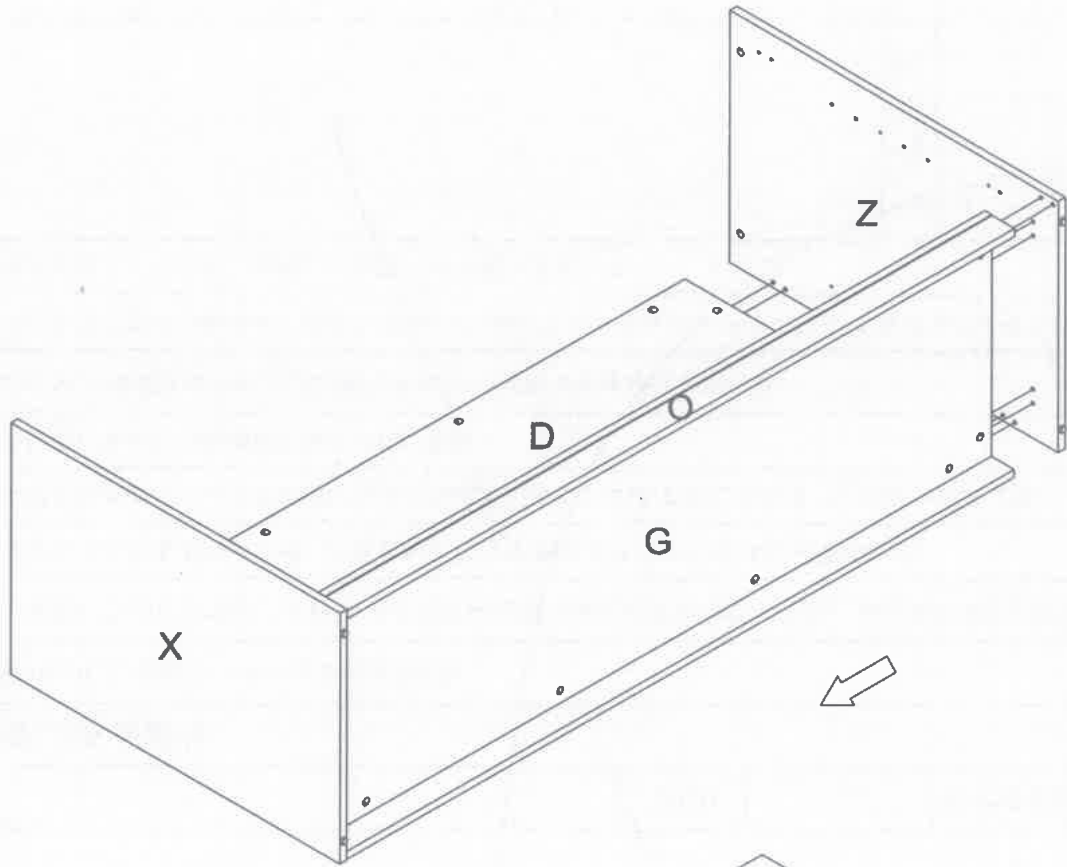
2



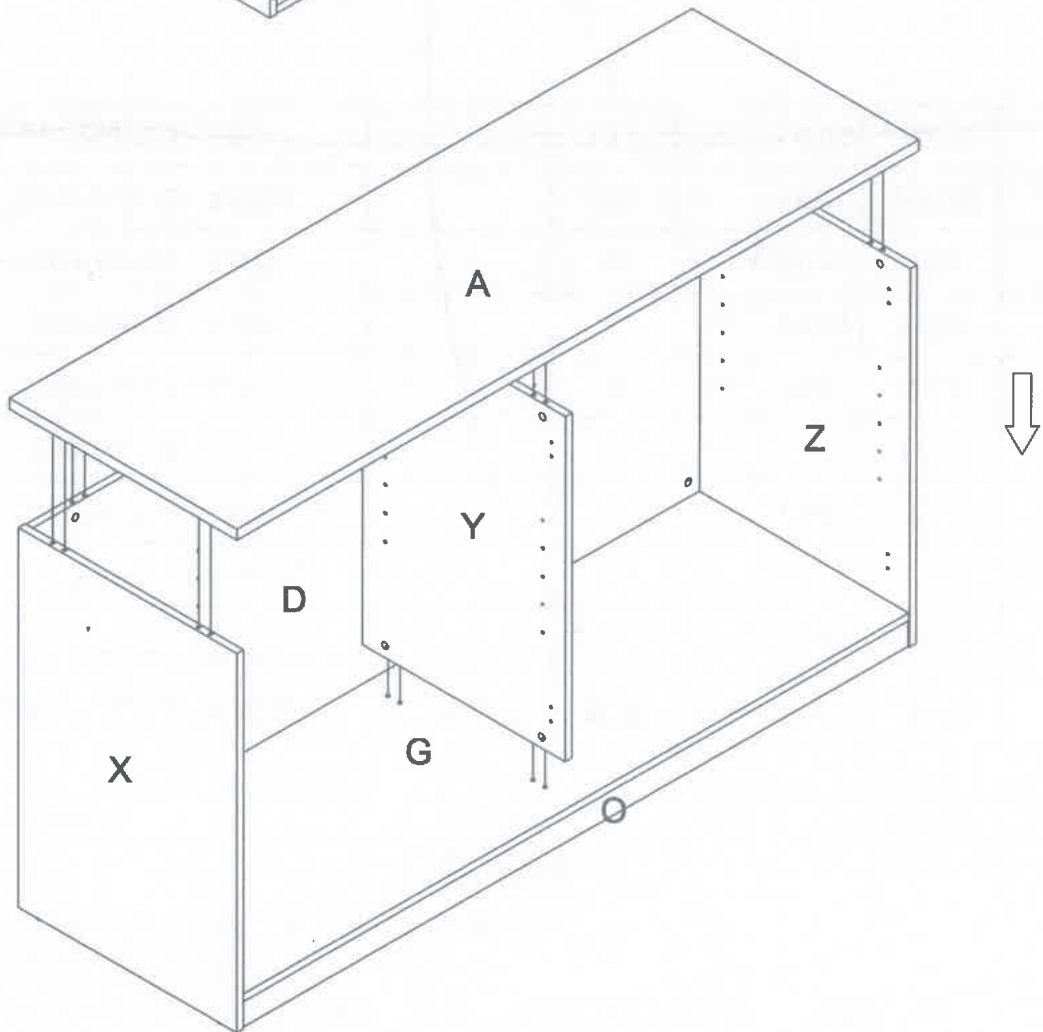
3



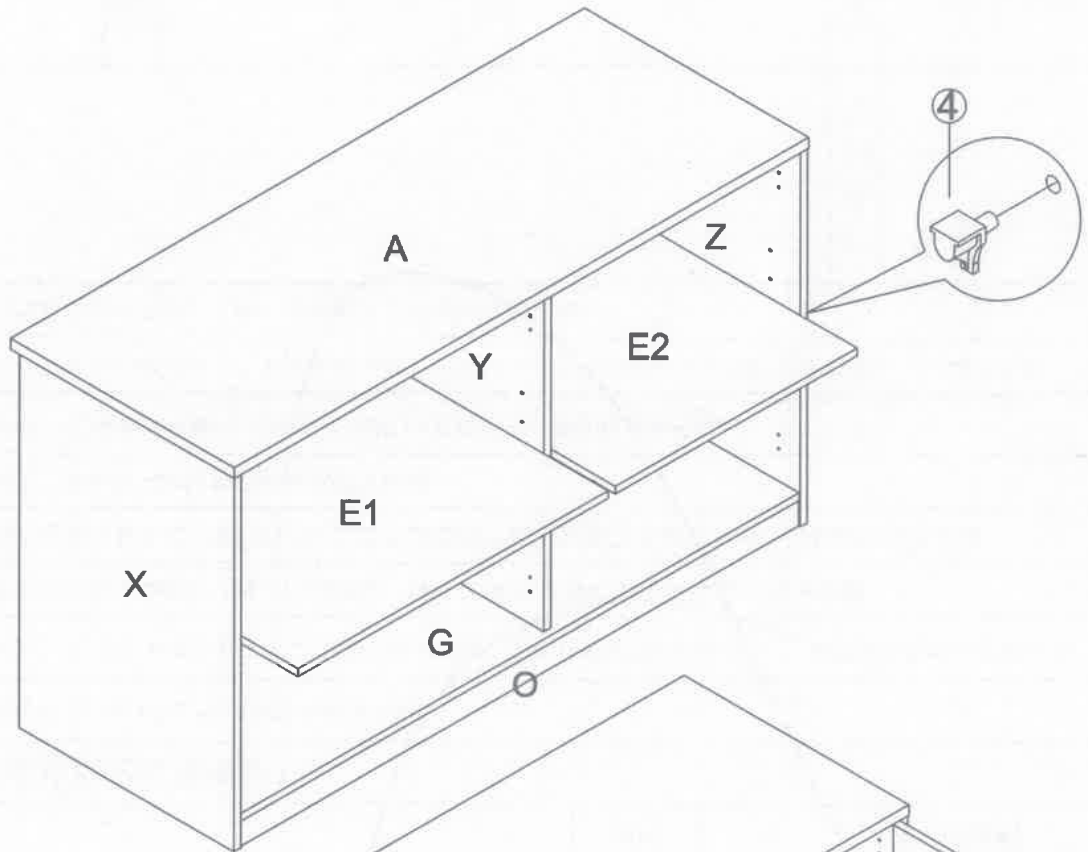
4



5



6



7

