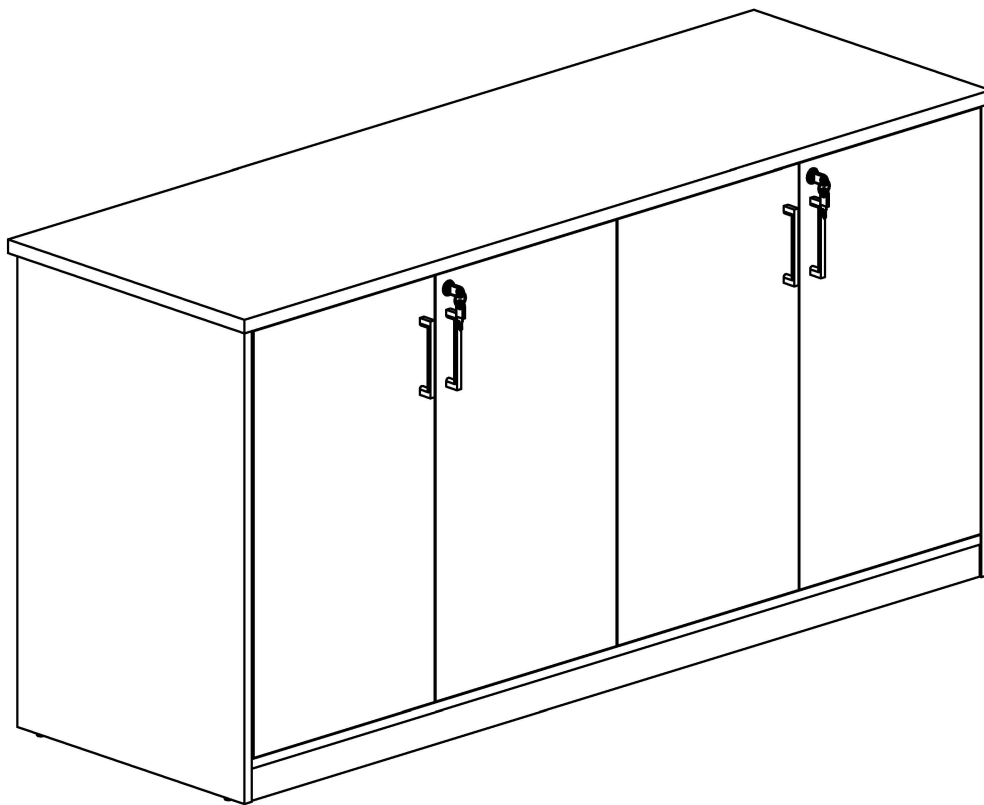


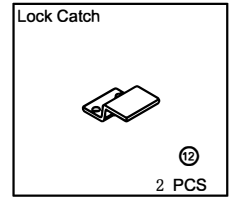
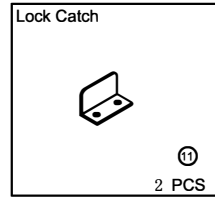
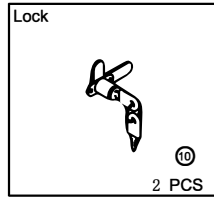
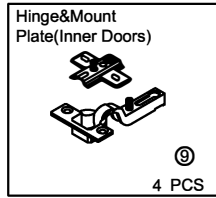
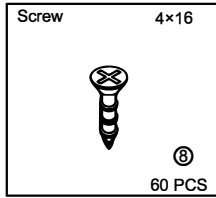
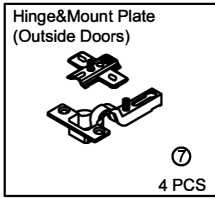
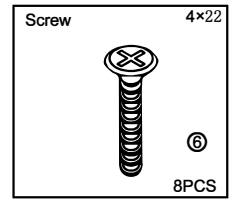
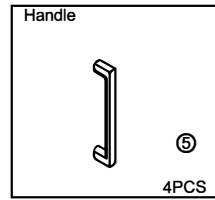
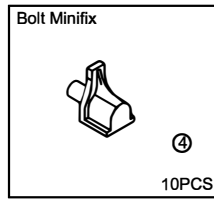
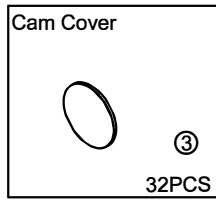
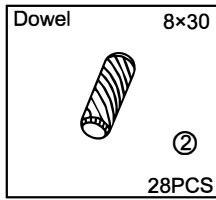
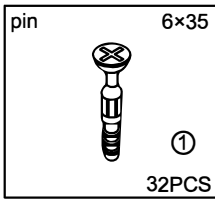
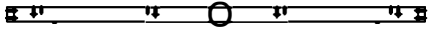
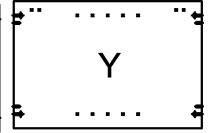
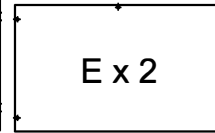
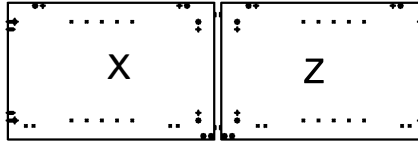
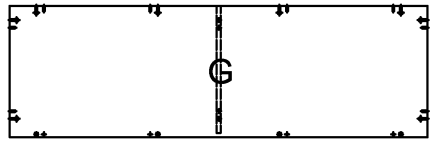
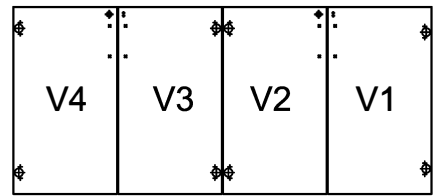
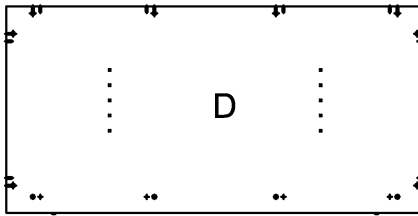
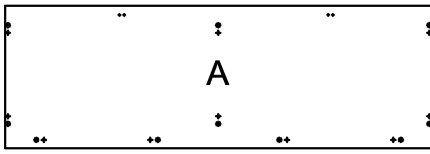


ASSEMBLY INSTRUCTIONS

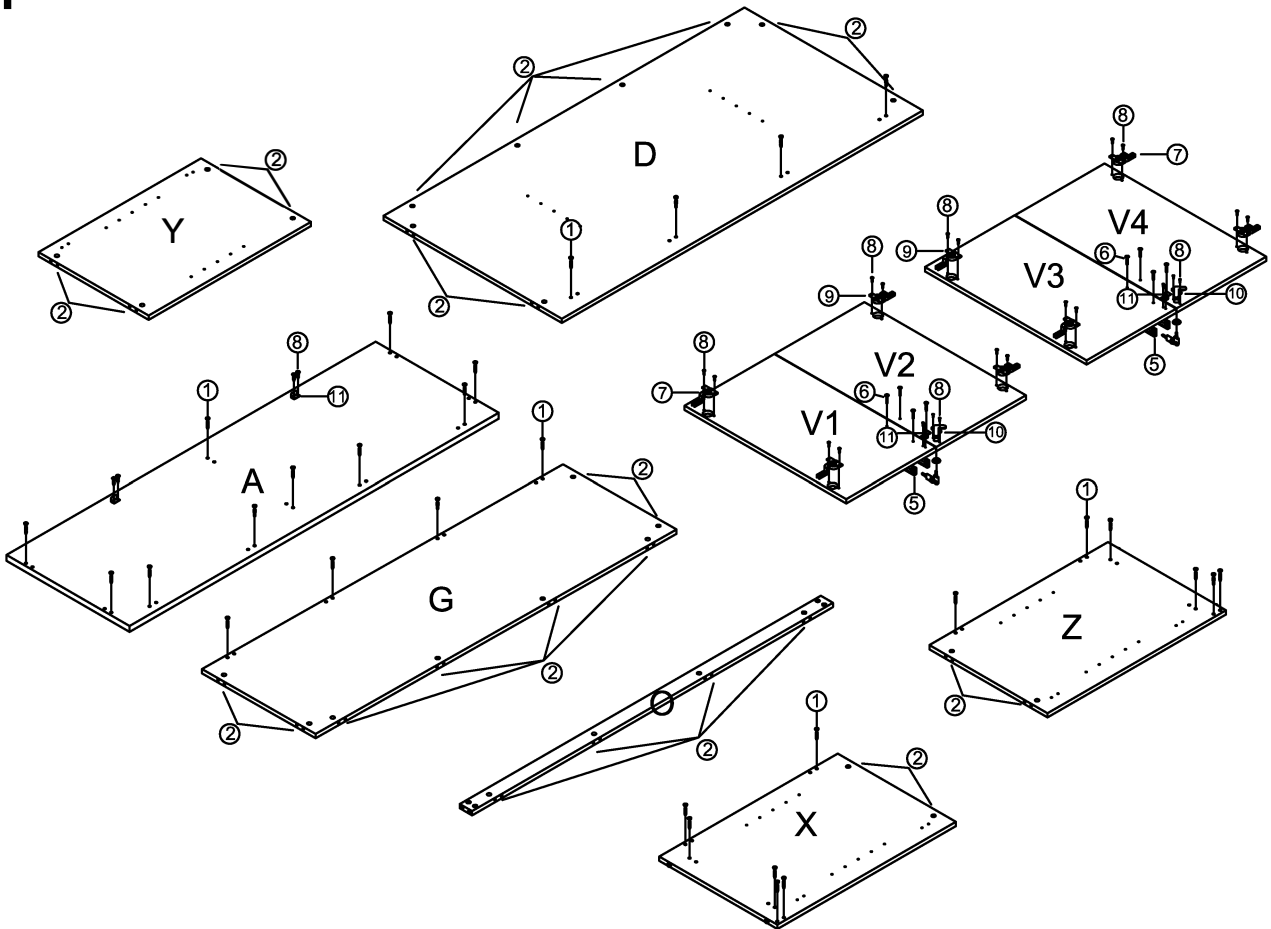
Hinged Door Cupboard W1800

HINGCU18

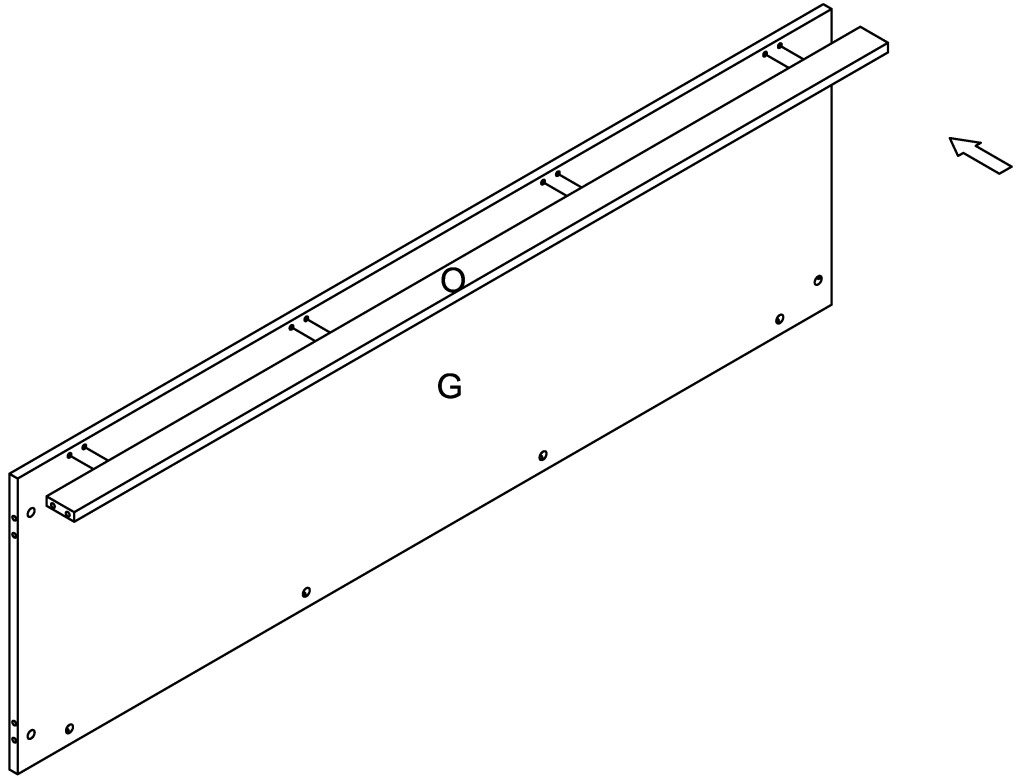




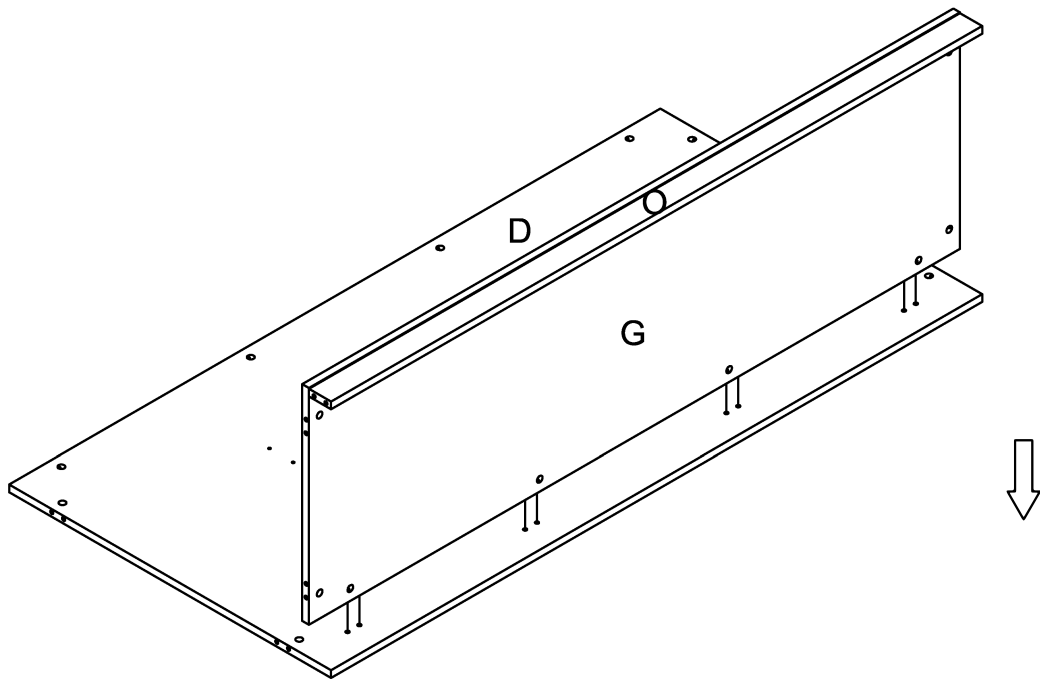
1



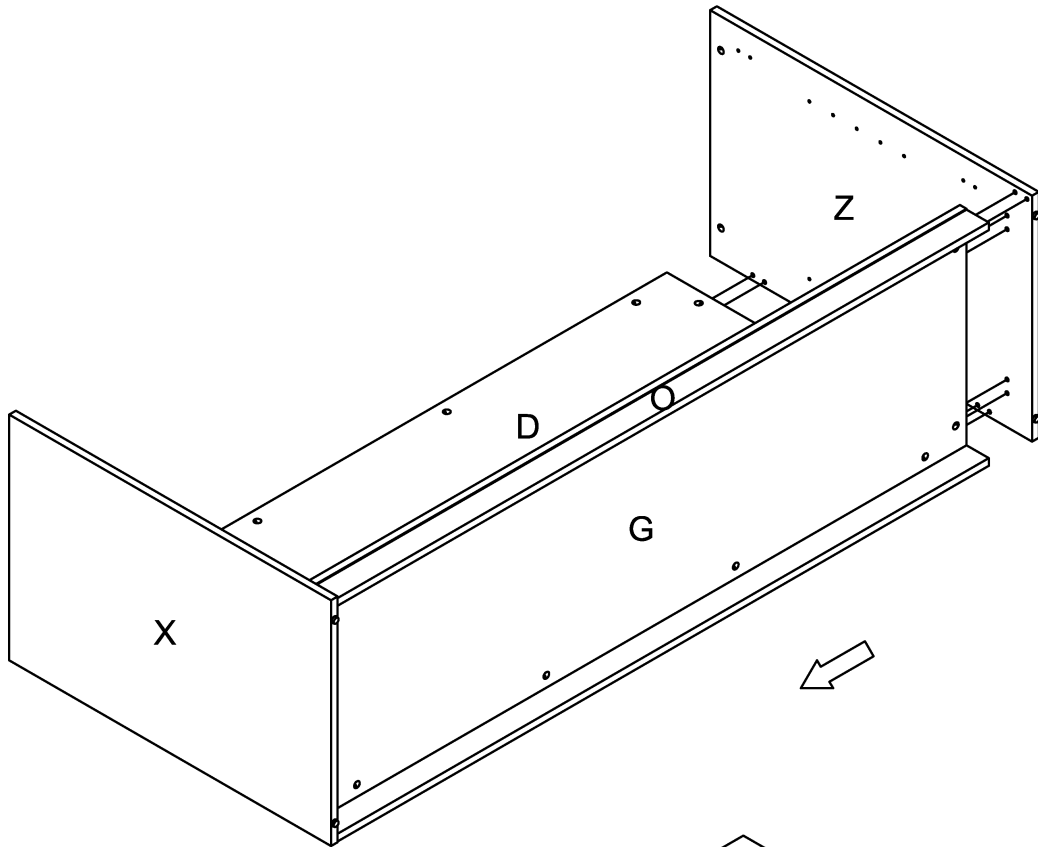
2



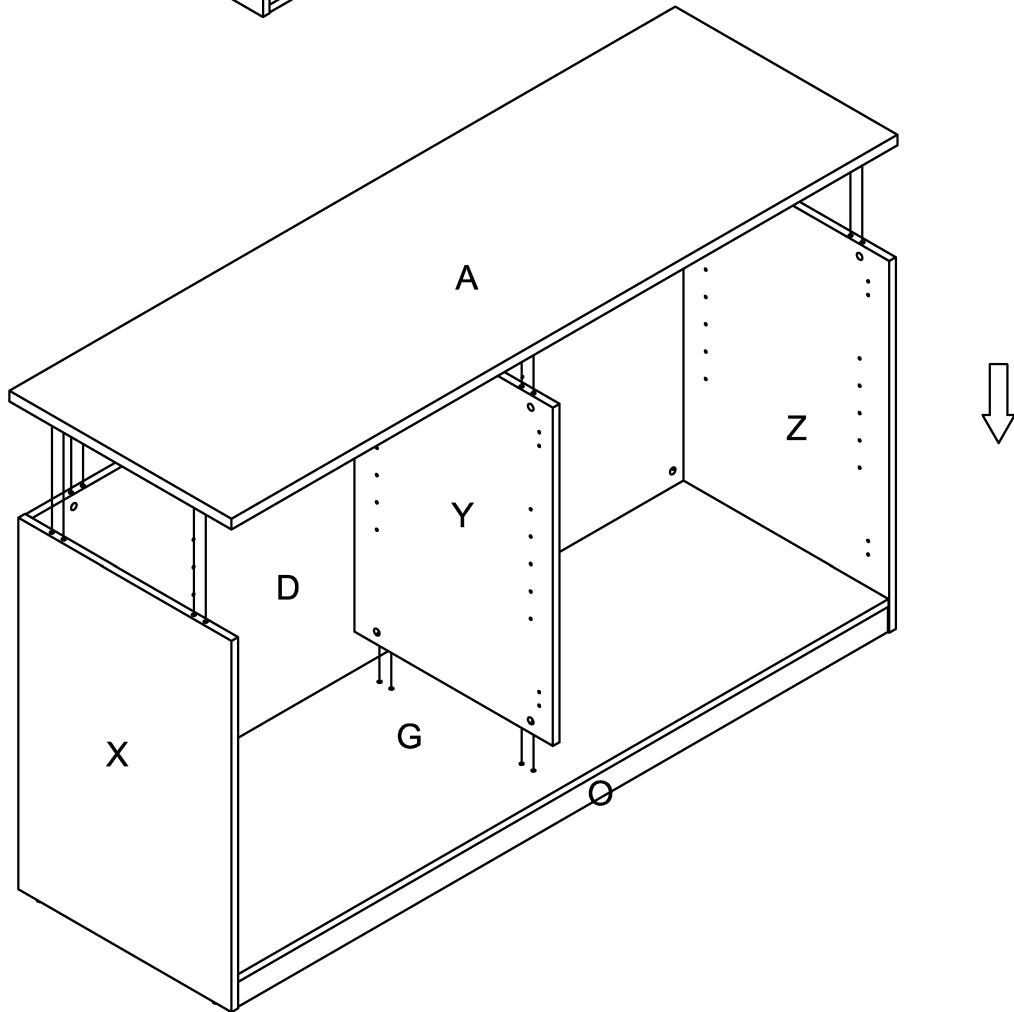
3



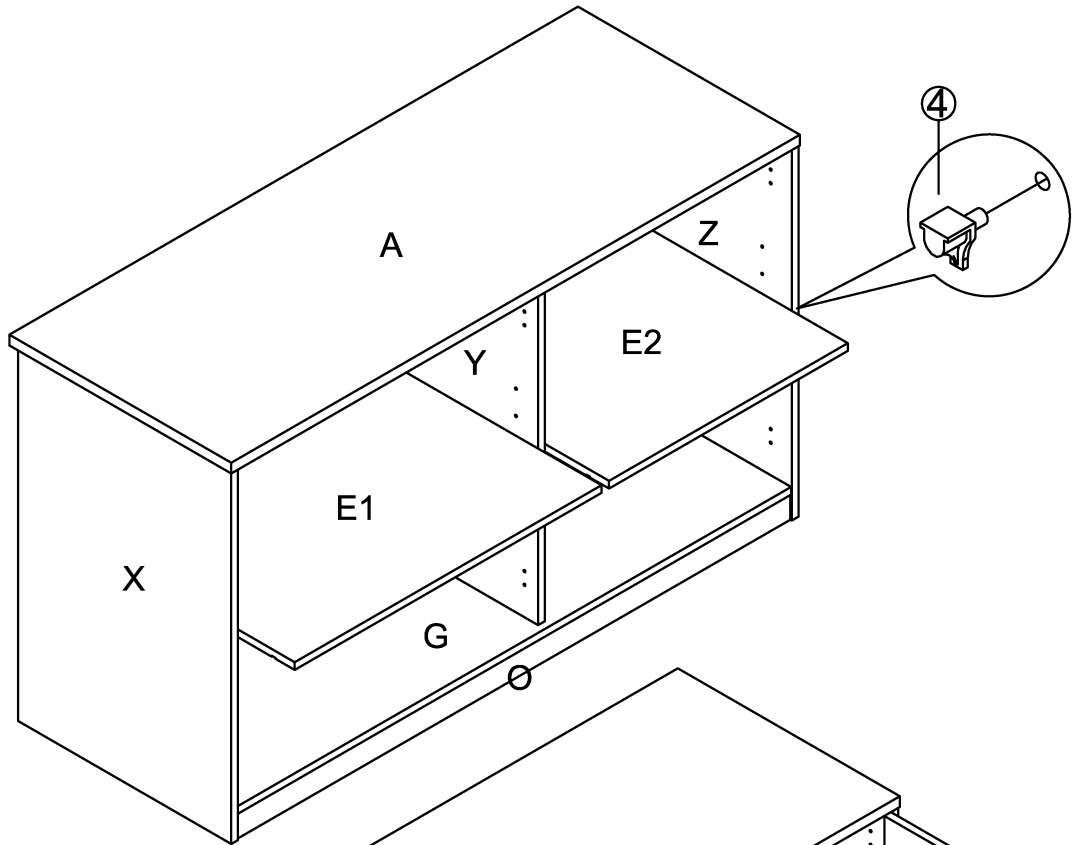
4



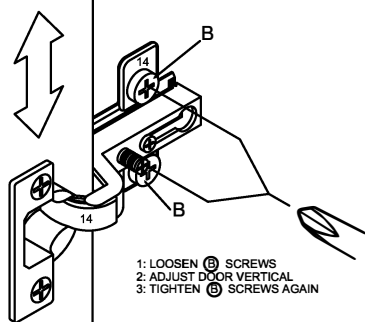
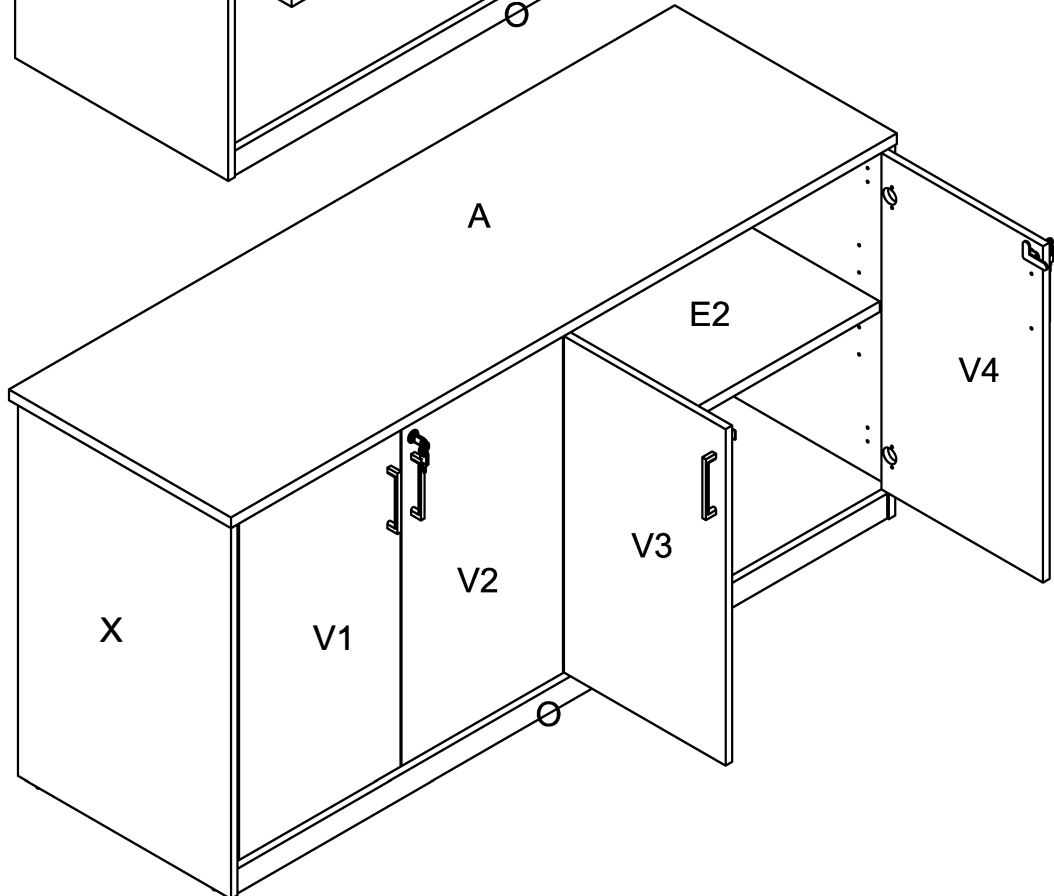
5



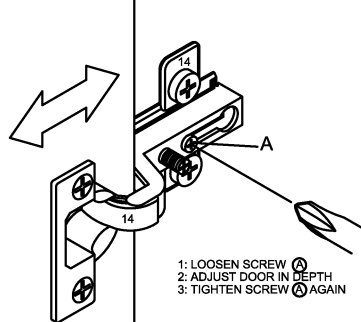
6



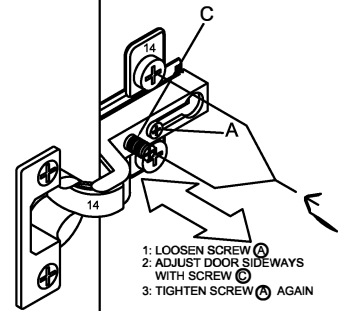
7



- 1: LOOSEN **(B)** SCREWS
- 2: ADJUST DOOR VERTICAL
- 3: TIGHTEN **(B)** SCREWS AGAIN



- 1: LOOSEN SCREW **(A)**
- 2: ADJUST DOOR IN DEPTH
- 3: TIGHTEN SCREW **(A)** AGAIN



- 1: LOOSEN SCREW **(C)**
- 2: ADJUST DOOR SIDWAYS WITH SCREW **(C)**
- 3: TIGHTEN SCREW **(C)** AGAIN