








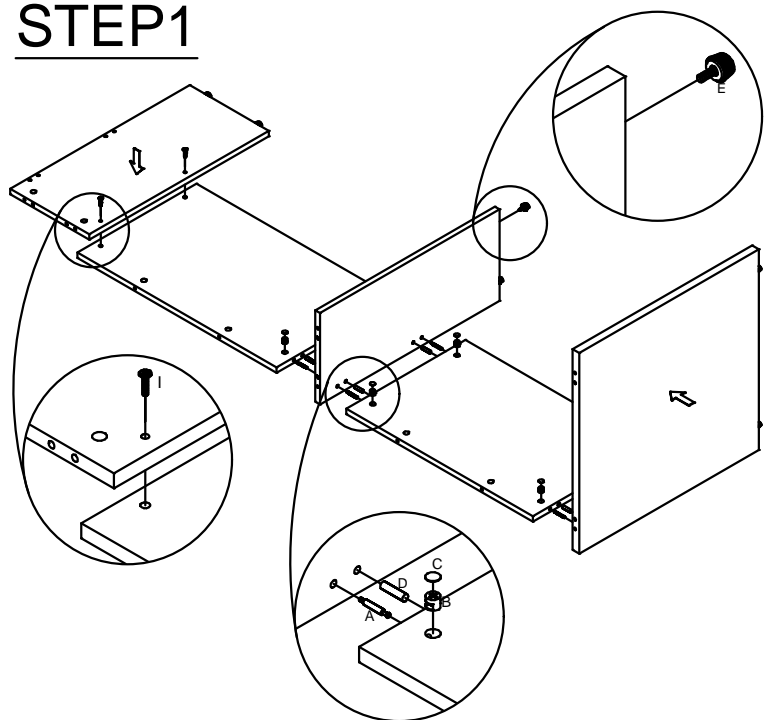


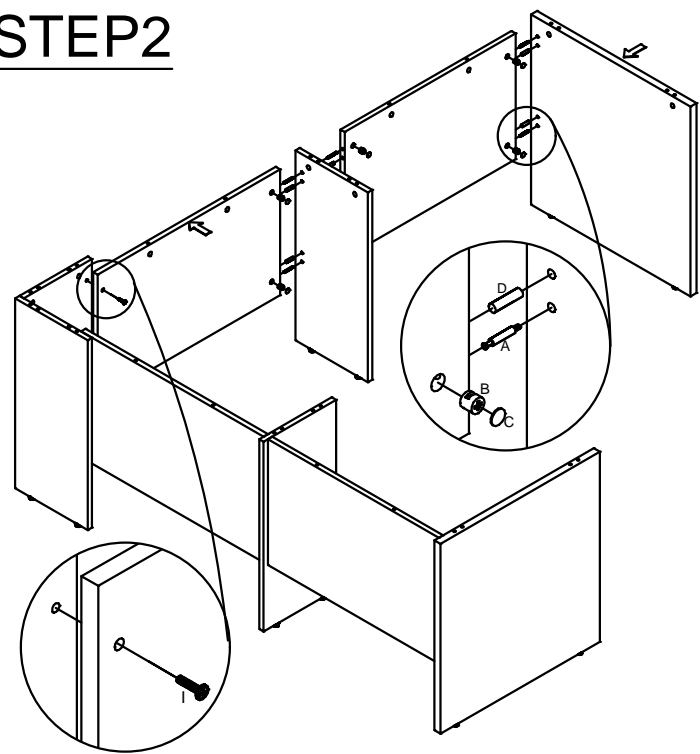
Assembly Instructions CORNER DESK

A		B		C		D		E		F		G		H		I	
	Cam lock 34Pcs+1Pc(spare)		Klix Cam 34Pcs+1Pc(spare)		Cam Cover 34Pcs+1Pc(spare)		Dowel 26Pcs+1Pc(spare)		Adjustable Glide 12 Pcs		screw#4*16 16Pcs+1Pc(spare)		Connector 200*60 2Pcs		Grommet 1Pcs		Srew(Ø6*30) 16Pcs+1Pc(spare)

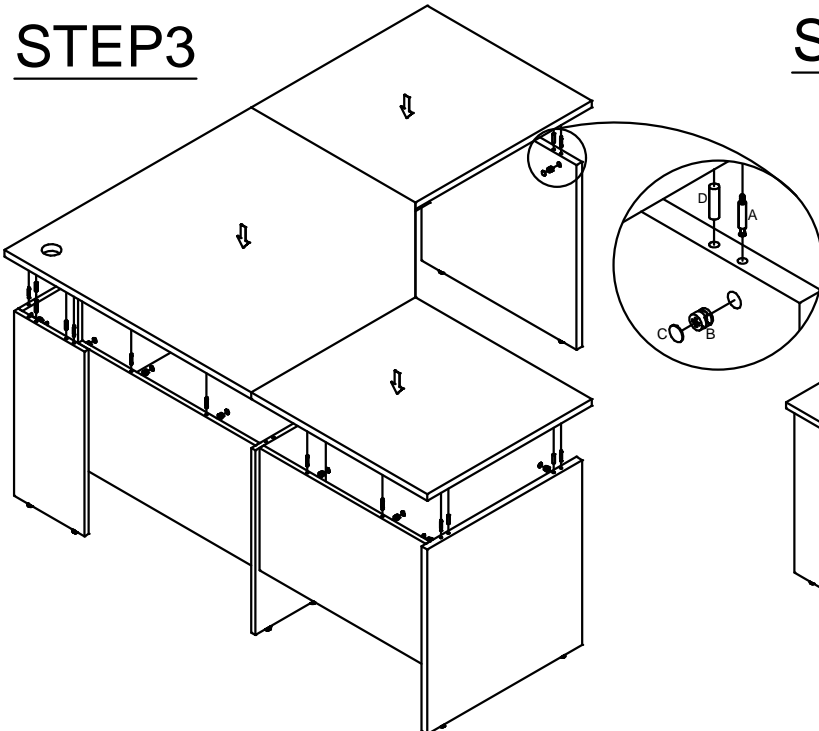
STEP1



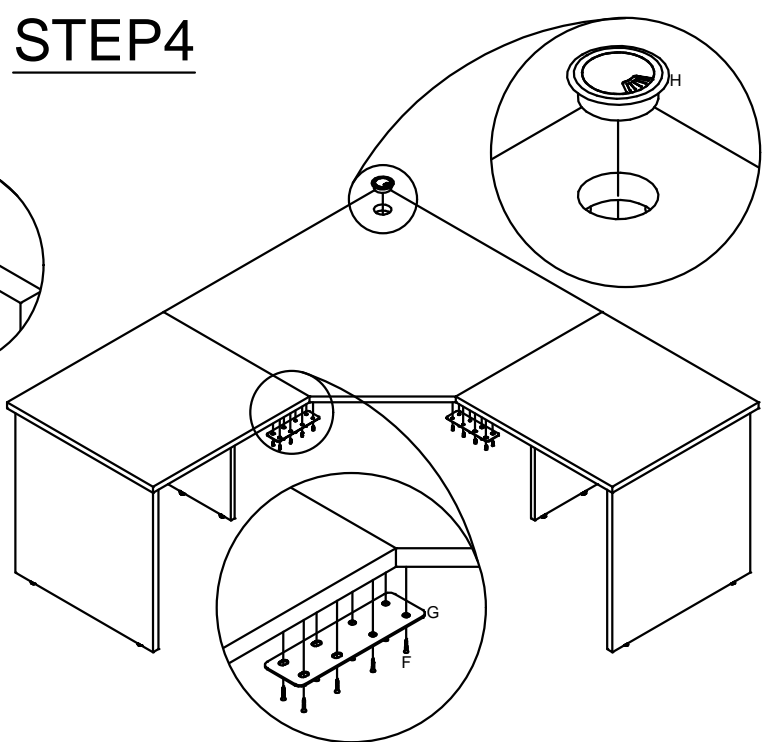
STEP2



STEP3




STEP4



IMPORTANT NOTE:

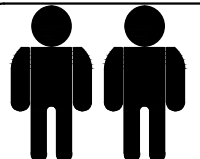
- Place all wooden parts on clean and smooth surface such as a rug or carpet to avoid the parts from being scratched.
- Check to be sure that you have all parts and hardware.
- Remove all wrapping materials, including staples & packing straps before you start to assemble.
- Do not tighten all screws/bolts until all completely assembled.
- Keep all hardware parts out of reach of children.

IMPORTANT:
FUNCTION OF KLIX CAM



1/4 RIGHT
TURN FOR
LOCKING

MAKE SURE THE ARROW IS
POINTING UPWARDS BEFORE
INSERTING INTO THE PANELS
HOLE



TWO PEOPLE ARE REQUIRED TO
ASSEMBLE AND MOVE THIS MODEL