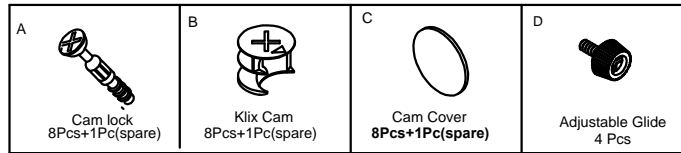
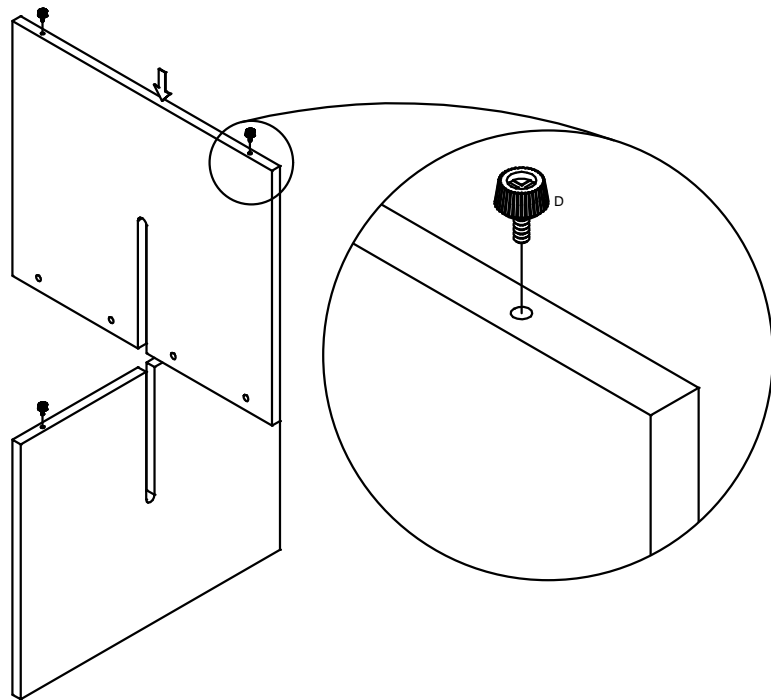


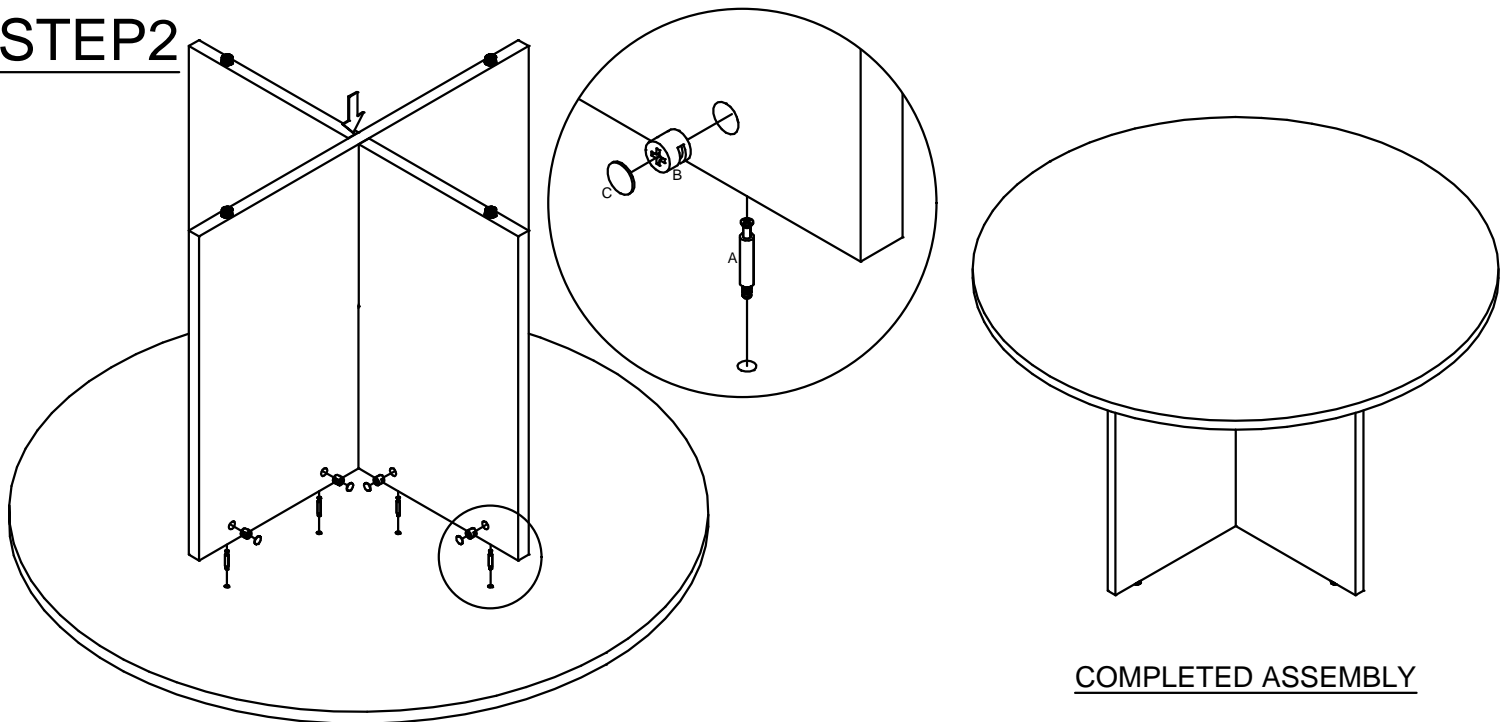
Assembly Instructions OMJ-MT12-CSN



STEP 1



STEP 2



COMPLETED ASSEMBLY

IMPORTANT NOTE:

- Place all wooden parts on clean and smooth surface such as a rug or carpet to avoid the parts from being scratched.
- Check to be sure that you have all parts and hardware.
- Remove all wrapping materials, including staples & packing straps before you start to assemble.
- Do not tighten all screws/bolts until all completely assembled.
- Keep all hardware parts out of reach of children.

