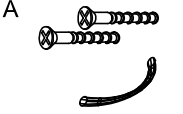
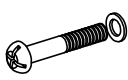
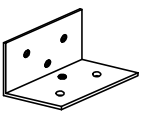


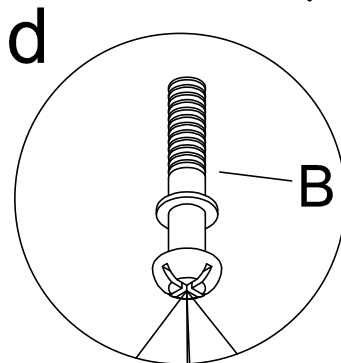
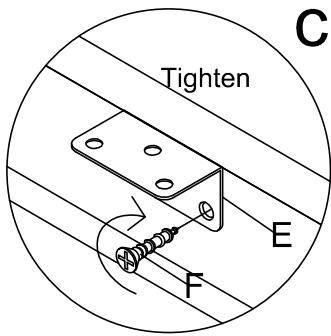
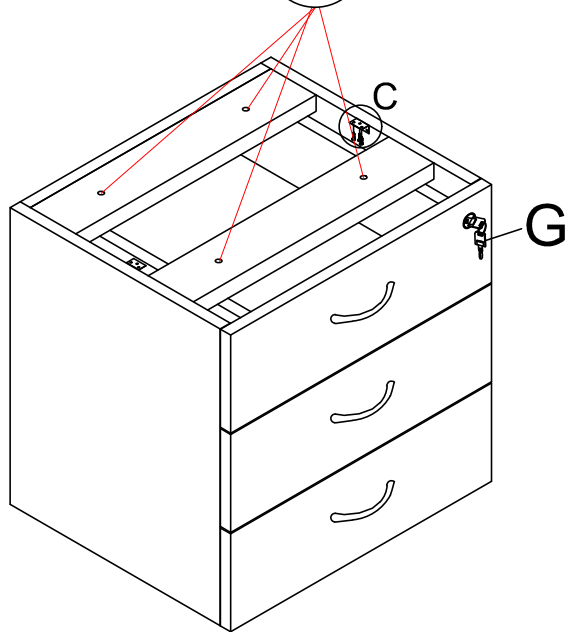
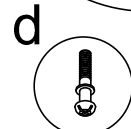
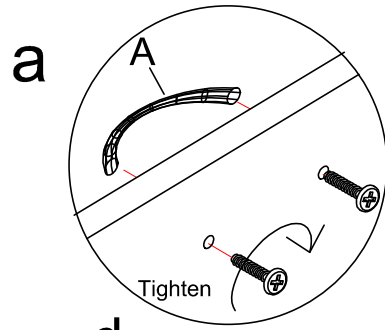
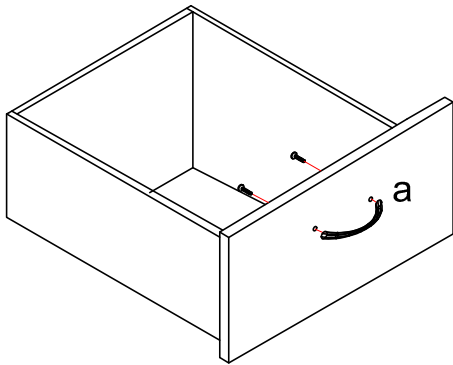


Assembly Instructions

MODEL NO.OMJ-FP3

BOX/FILE PEDESTAL

TUNO05MH	TUNO27SC	TUN013LB6	TUN014SC	
 32mm Metal scallop shape Handle Screw M4x22mm 3sets	 Screw M6x40mm 4Pcs (spare)	 6 Hole L-Bracket 2 PCS	 Screw #4x5/8" 12 PCS+1Pcs(spare)	 Keys 1set



COMPLETED ASSEMBLY

IMPORTANT NOTE:

- Place all laminated parts on a clean and smooth surface such as a rug or carpet to avoid the parts from being scratched.
- Check to be sure that you have all parts and hardware.
- Remove all wrapping materials, including staples & packing straps before you start to assemble.
- Don't tighten all screws/bolts until all completely assembled.
- Keep all hardware parts out of reach of children