



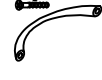






Assembly Instruction

MODEL NO.:OMJ-B15

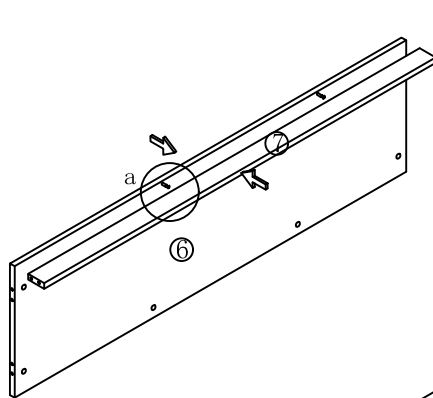
CREDENZA

A  Cam lock 38Pcs+1Pc (spare)	B  Klix Cam 38Pcs+1Pc (spare)	C  Cam Cover 38Pcs+1Pc (spare)	D  Dowel 16Pcs+1Pc (spare)	E  96mm Metal scallop shape 2 Set	F  Shelf Dowel 8Pcs+1Pc (spare)	G  Keys 1Set	H  Adjustable Glide 6Pcs
---	---	--	---	---	---	--	--

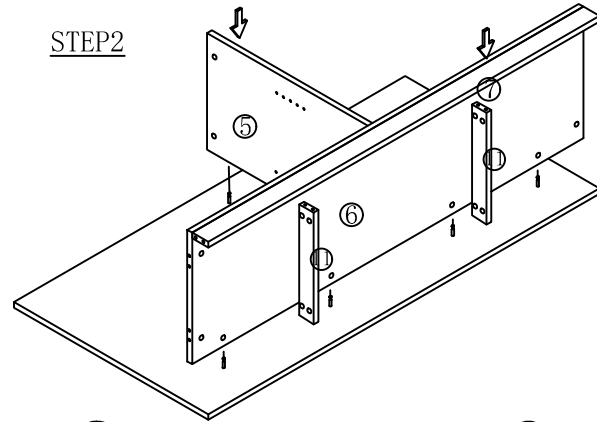
IMPORTANT:
FUNCTION OF KLIX CAM
1/4 RIGHT
TURN FOR
LOCKING
MAKE SURE THE ARROW IS
POINTING UPWARDS BEFORE
INSERTING INTO THE PANELS
HOLE



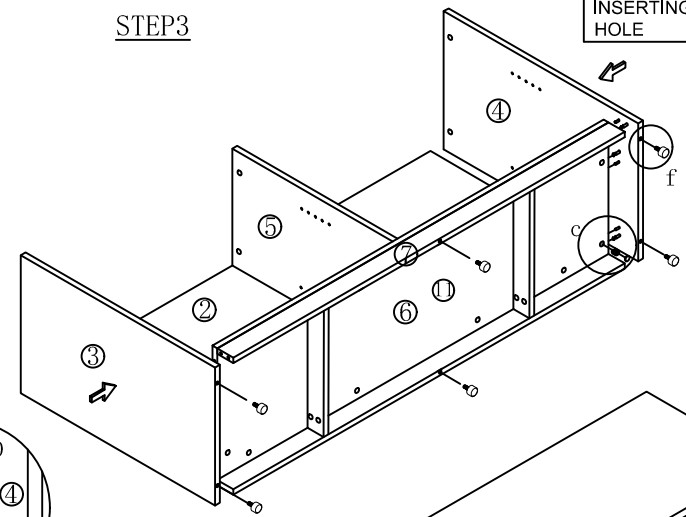
STEP1



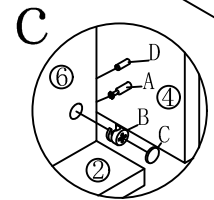
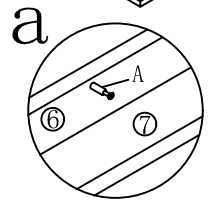
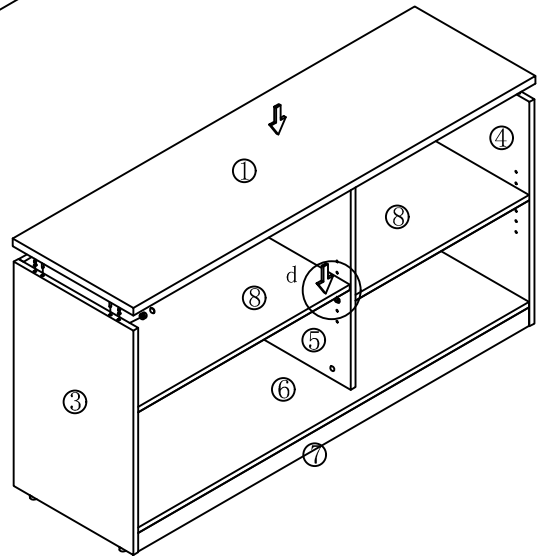
STEP2



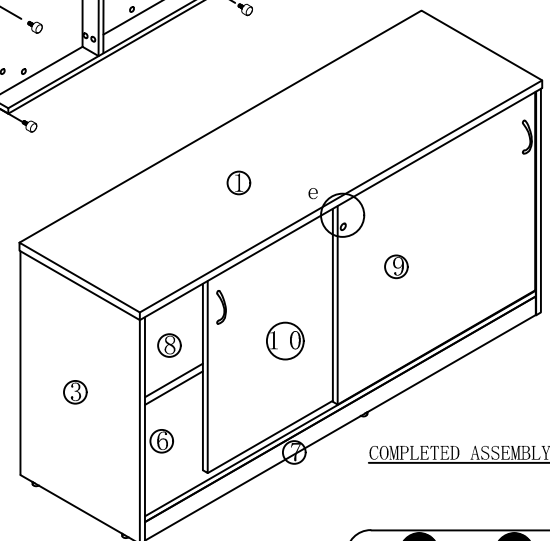
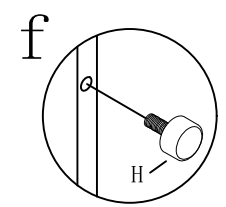
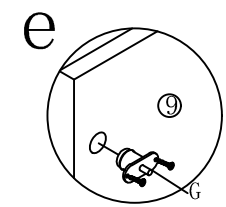
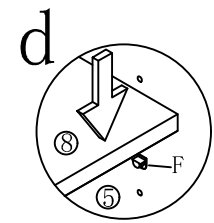
STEP3



STEP4



STEP5



COMPLETED ASSEMBLY

IMPORTANT NOTE:

- Place all laminated parts on a clean and smooth surface such as a rug or carpet to avoid the parts from being scratched.
- Check to be sure that you have all parts and hardware.
- Remove all wrapping materials, including staples & packing straps before you start to assemble.
- Don't tighten all screws/bolts until all completely assembled.
- Keep all hardware parts out of reach of children

