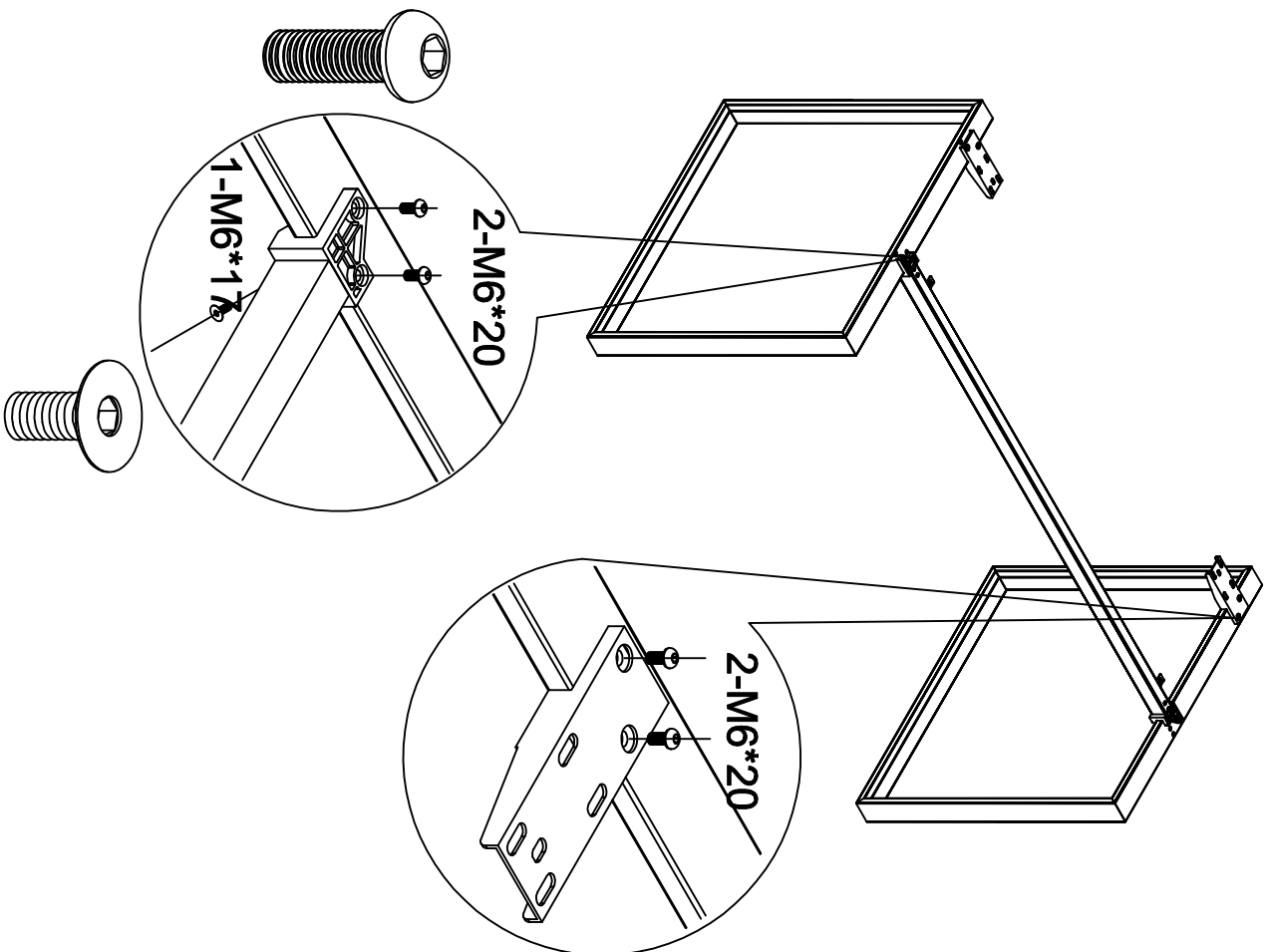


Step 1: Assemble the understructure.



Step 2: Assemble the desktop.

Below shown is the assembly of main desk.

