

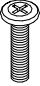
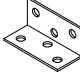
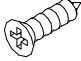
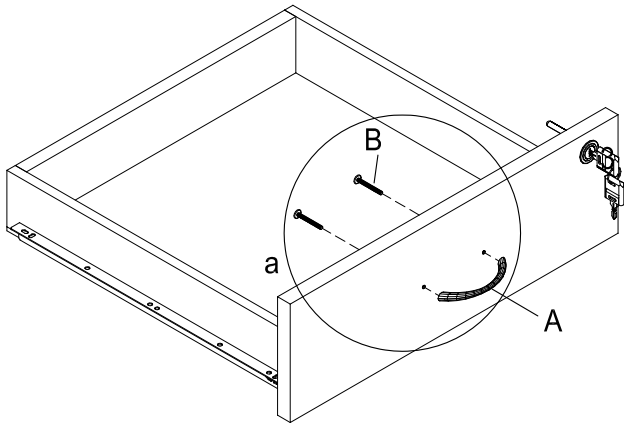


# ASSEMBLY INSTRUCTIONS

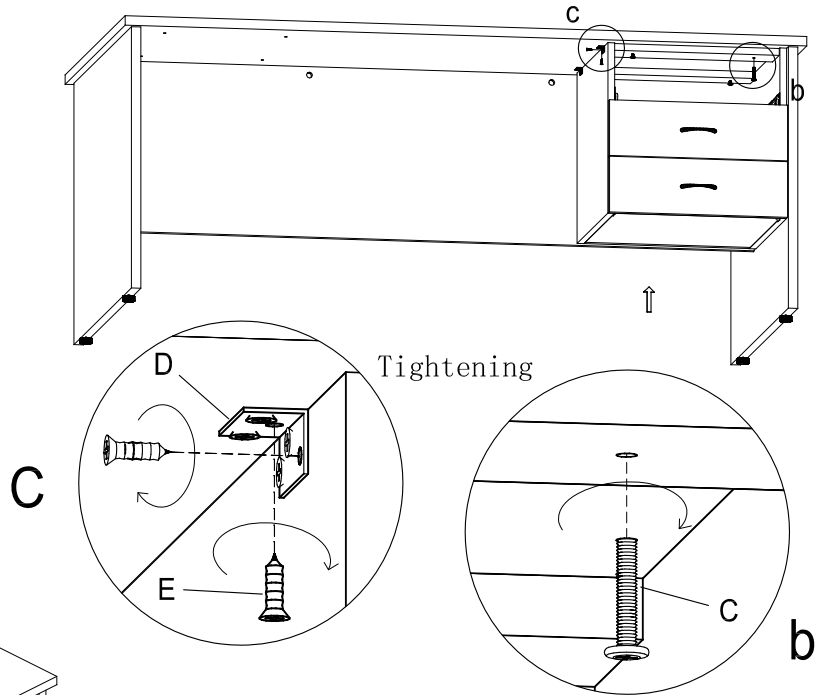
## MODEL NO.:D3

<p><b>A</b></p>  <p>3 (96mm)</p> <p><b>HANDLE</b></p>	<p><b>B</b></p>  <p>6 (#1x22)</p> <p><b>SCREWS</b></p>	<p><b>C</b></p>  <p>4+1 (#6x30)</p> <p><b>SCREWS</b></p>	<p><b>D</b></p>  <p>2</p> <p><b>6 Hole L-Bracket</b></p>	<p><b>E</b></p>  <p>12+4 (#1x14)</p> <p><b>SCREWS</b></p>
--	---	---	---	--

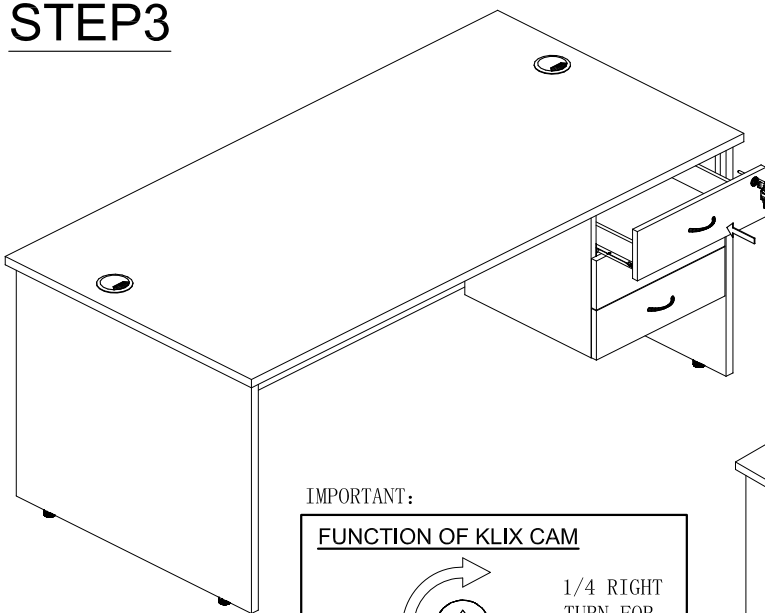
### STEP1



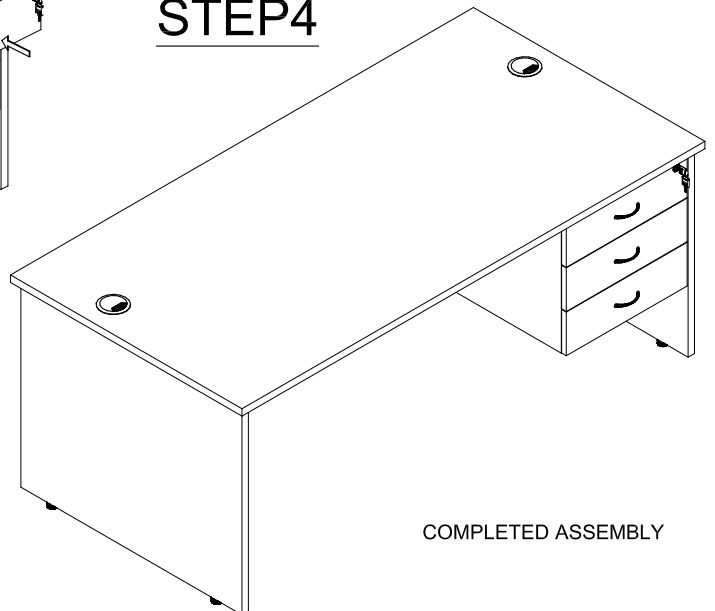
### STEP2



### STEP3

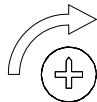


### STEP4



IMPORTANT:

#### FUNCTION OF KLIX CAM



1/4 RIGHT  
TURN FOR  
LOCKING

MAKE SURE THE ARROW IS  
POINTING UPWARDS  
BEFORE INSERTING INTO  
THE PANEL HOLE.



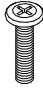
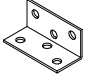
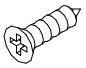
COMPLETED ASSEMBLY

#### IMPORTANT NOTE:

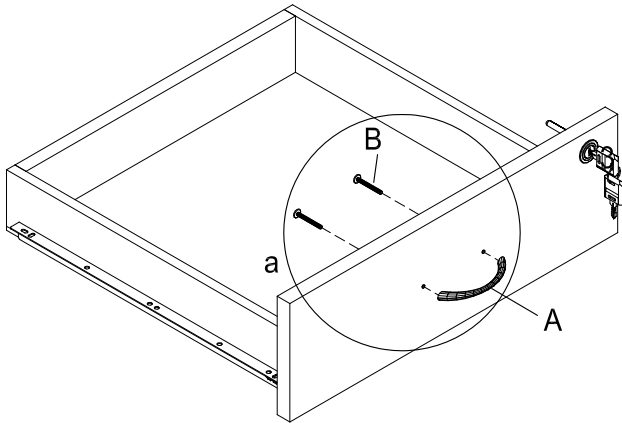
- Place all laminated parts on a clean and smooth surface such as a rug or carpet to avoid the parts from being scratched.
- Check to be sure that you have all parts and hardware.
- Remove all wrapping materials, including staples & packing straps before you start to assemble.
- Don't tighten all screws/bolts until all completely assembled.
- Keep all hardware parts out of reach of children.
- It is recommended to require 2 persons to complete the assembly.

# ASSEMBLY INSTRUCTIONS

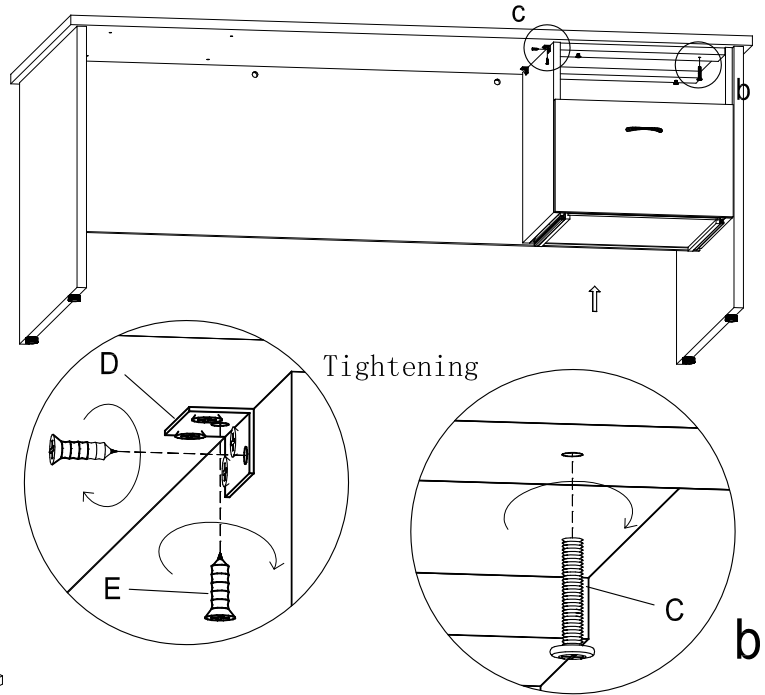
## MODEL NO.:DF

<p><b>A</b></p>  <p>2 (96mm)</p> <p><b>HANDLE</b></p>	<p><b>B</b></p>  <p>4 (M4x22)</p> <p><b>SCREWS</b></p>	<p><b>C</b></p>  <p>4+1 (M6x30)</p> <p><b>SCREWS</b></p>	<p><b>D</b></p>  <p>2</p> <p><b>6 Hole L-Bracket</b></p>	<p><b>E</b></p>  <p>12+4 (#4x14)</p> <p><b>SCREWS</b></p>
--	---	---	---	--

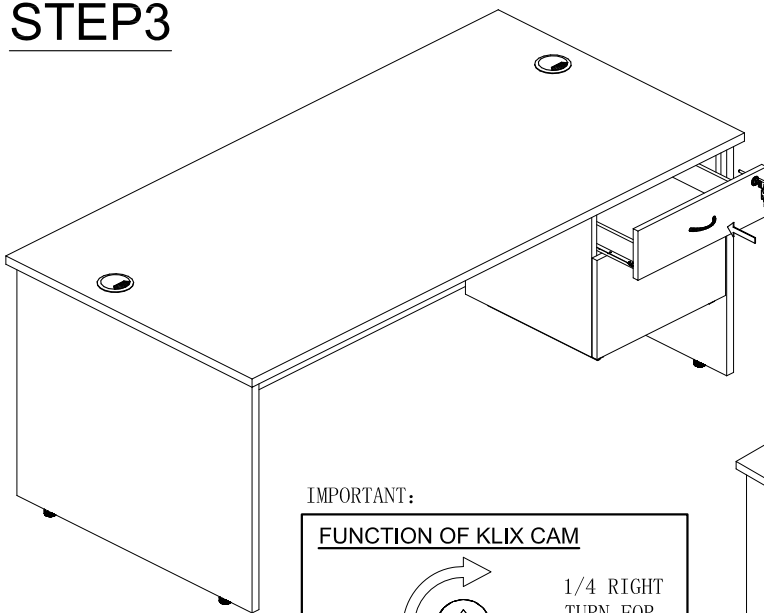
### STEP1



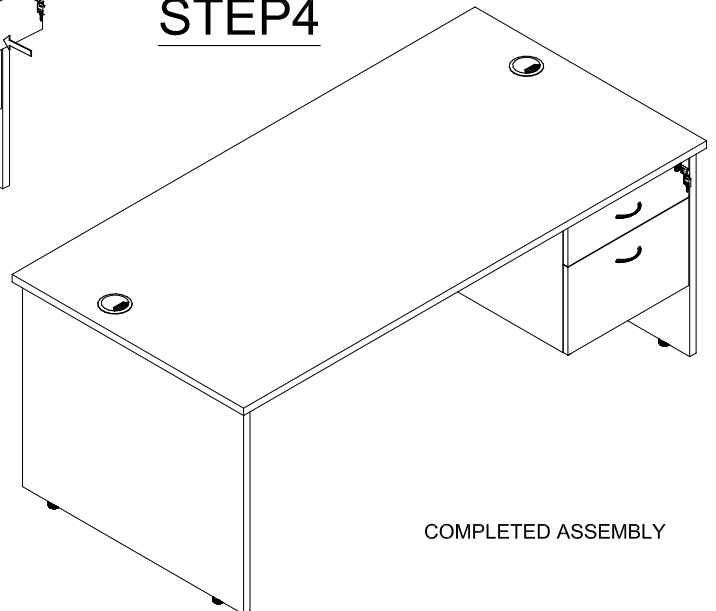
### STEP2



### STEP3

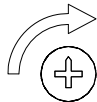


### STEP4



IMPORTANT:

#### FUNCTION OF KLIX CAM



1/4 RIGHT  
TURN FOR  
LOCKING

MAKE SURE THE ARROW IS  
POINTING UPWARDS  
BEFORE INSERTING INTO  
THE PANEL HOLE.

COMPLETED ASSEMBLY

#### IMPORTANT NOTE:

- Place all laminated parts on a clean and smooth surface such as a rug or carpet to avoid the parts from being scratched.
- Check to be sure that you have all parts and hardware.
- Remove all wrapping materials, including staples & packing straps before you start to assemble.
- Don't tighten all screws/bolts until all completely assembled.
- Keep all hardware parts out of reach of children.
- It is recommended to require 2 persons to complete the assembly.