
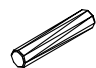

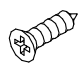


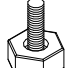
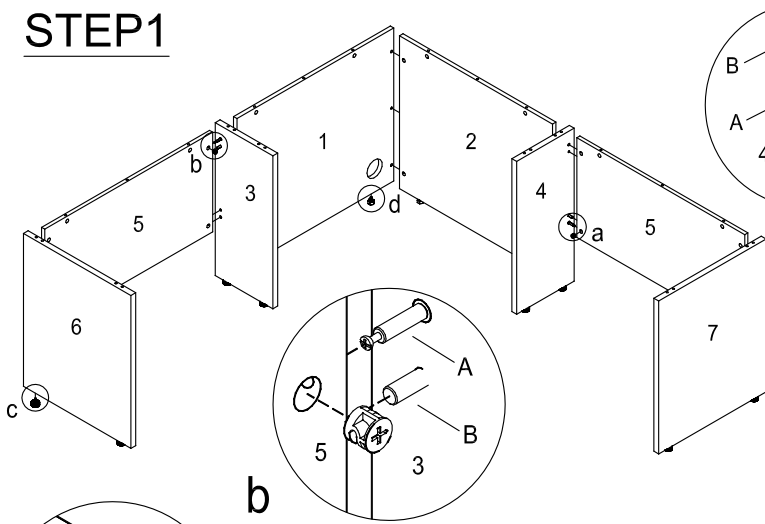


ASSEMBLY INSTRUCTIONS

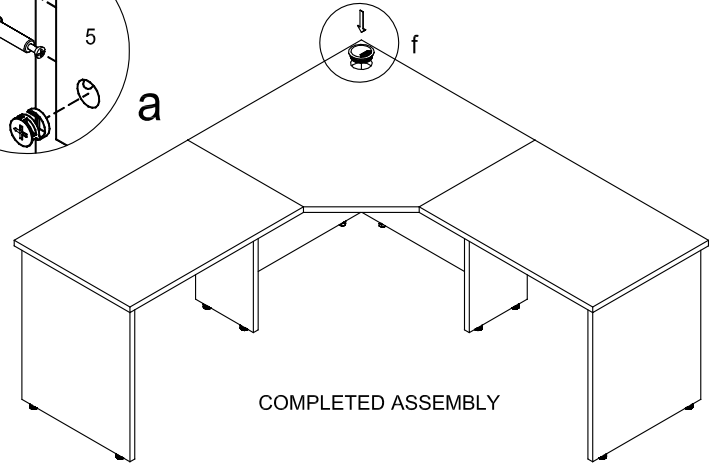
MODEL NO.:CW156

A  31 (Ø15x32) CAM LOCK	B  23 (Ø8x30) DOWEL	C  2 (100x50x2) 6HOLES PANEL	D  16 (4x14) SCREWS	E  2 (Ø80) GROMMET	F  8 (M8xH15) ADJUSTABLE GLIDE	G  4 (M6xH15) ADJUSTABLE GLIDE
---	--	---	--	--	---	---

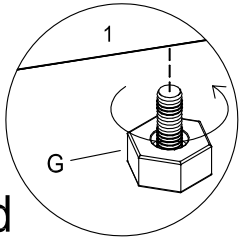
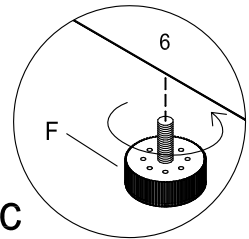
STEP1



STEP3

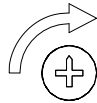


COMPLETED ASSEMBLY



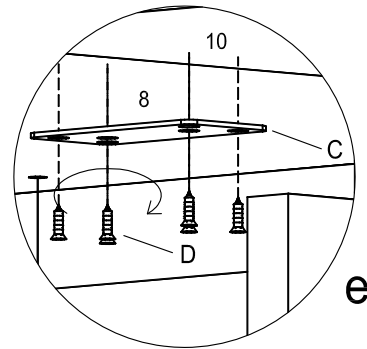
IMPORTANT:

FUNCTION OF KLIX CAM

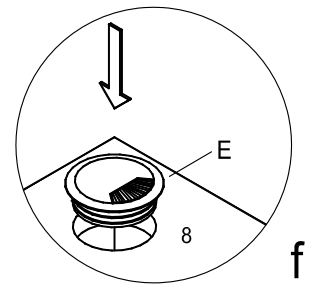
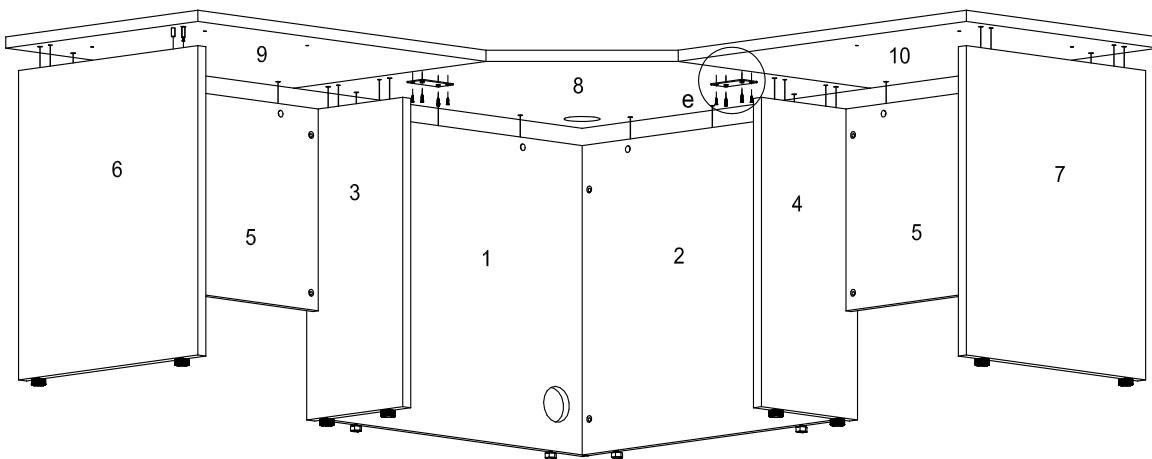


1/4 RIGHT
TURN FOR
LOCKING

MAKE SURE THE ARROW IS
POINTING UPWARDS
BEFORE INSERTING INTO
THE PANEL HOLE.



STEP2


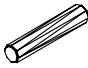




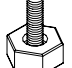


IMPORTANT NOTE:

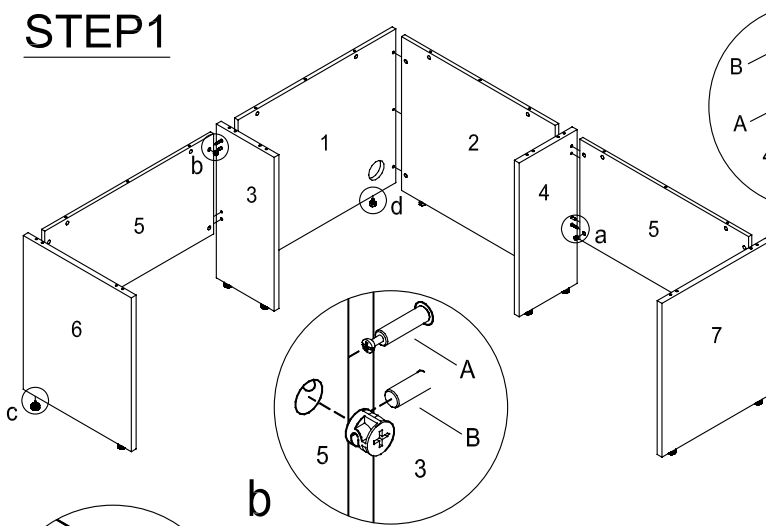
- Place all laminated parts on a clean and smooth surface such as a rug or carpet to avoid the parts from being scratched.
- Check to be sure that you have all parts and hardware.
- Remove all wrapping materials, including staples & packing straps before you start to assemble.
- Don't tighten all screws/bolts until all completely assembled.
- Keep all hardware parts out of reach of children.
- It is recommended to require 2 persons to complete the assembly.

ASSEMBLY INSTRUCTIONS

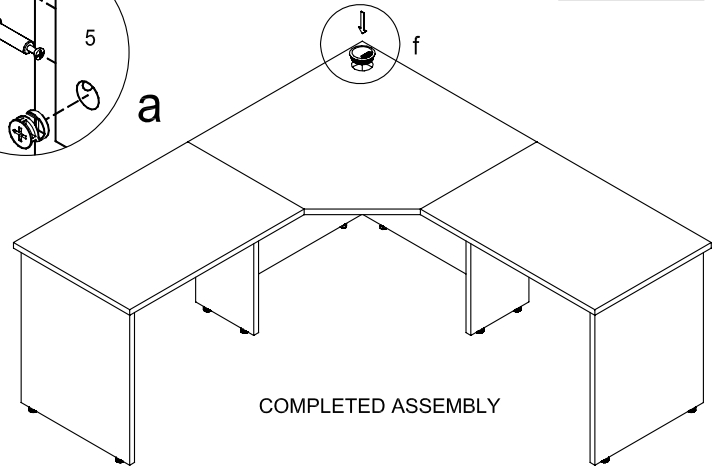
MODEL NO.:CW186

A  30 (Ø15x32) CAM LOCK	B  23 (Ø8x30) DOWEL	C  2 (100x50x2) 6HOLES PANEL	D  12 (4x14) SCREWS	E  2 (Ø80) GROMMET	F  8 (M8xH15) ADJUSTABLE GLIDE	G  4 (M6xH15) ADJUSTABLE GLIDE
---	--	---	--	--	---	---

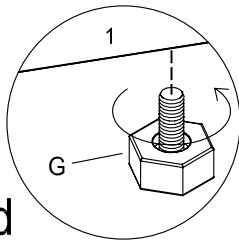
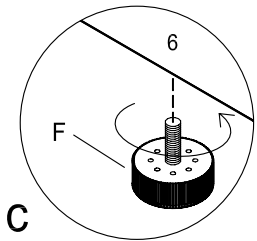
STEP1



STEP3

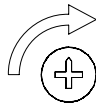


COMPLETED ASSEMBLY



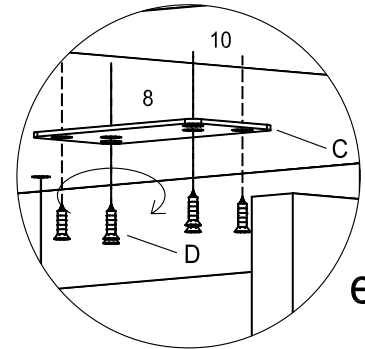
IMPORTANT:

FUNCTION OF KLIX CAM

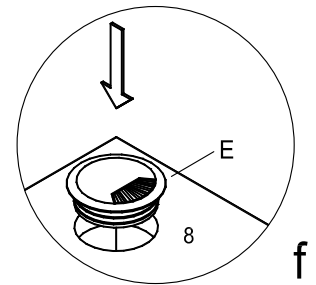
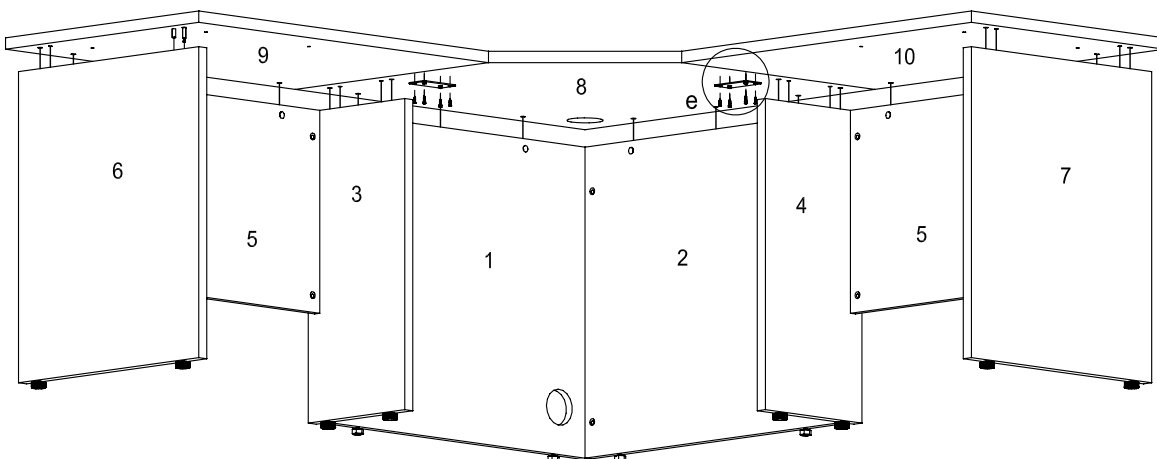


1/4 RIGHT
TURN FOR
LOCKING

MAKE SURE THE ARROW IS
POINTING UPWARDS
BEFORE INSERTING INTO
THE PANEL HOLE.



STEP2

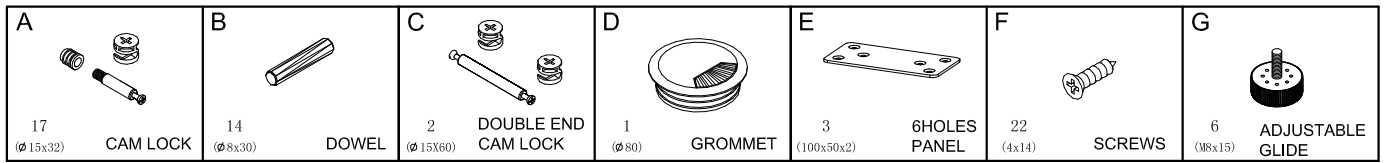


IMPORTANT NOTE:

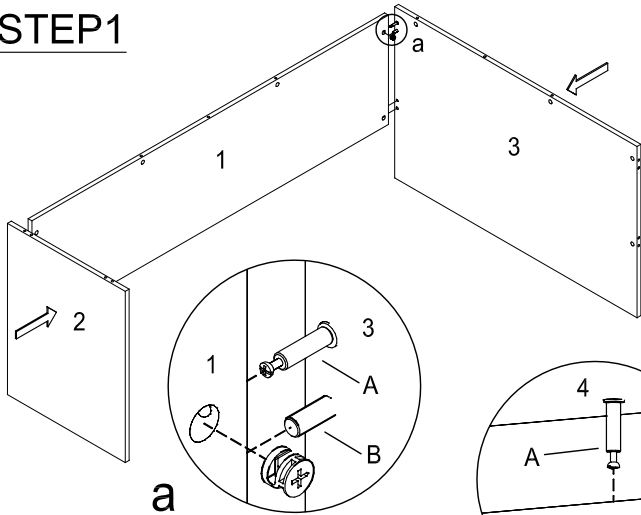
- Place all laminated parts on a clean and smooth surface such as a rug or carpet to avoid the parts from being scratched.
- Check to be sure that you have all parts and hardware.
- Remove all wrapping materials, including staples & packing straps before you start to assemble.
- Don't tighten all screws/bolts until all completely assembled.
- Keep all hardware parts out of reach of children.
- It is recommended to require 2 persons to complete the assembly.

ASSEMBLY INSTRUCTIONS

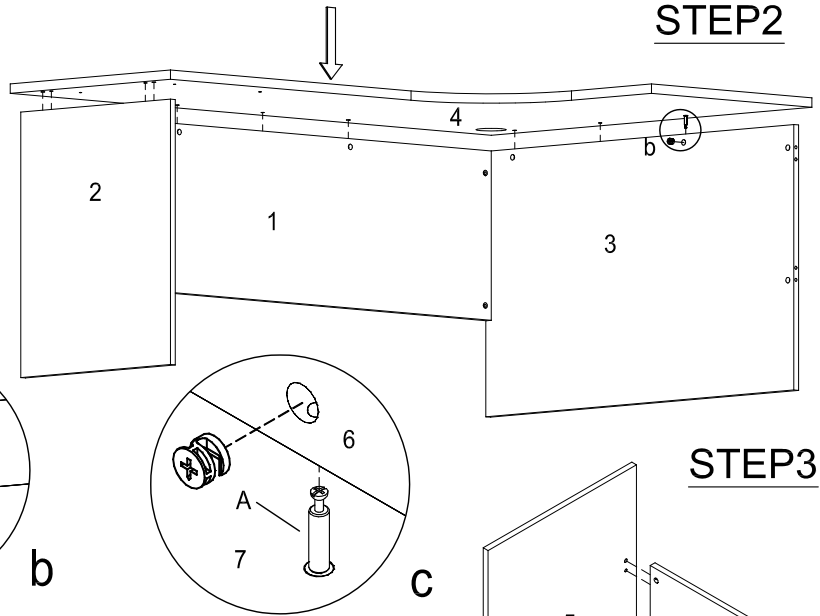
MODEL NO.:CW186L/R



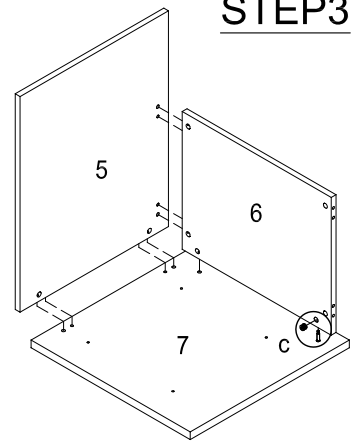
STEP1



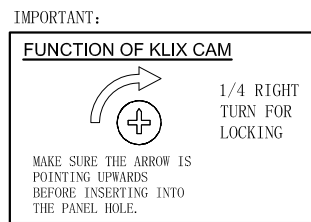
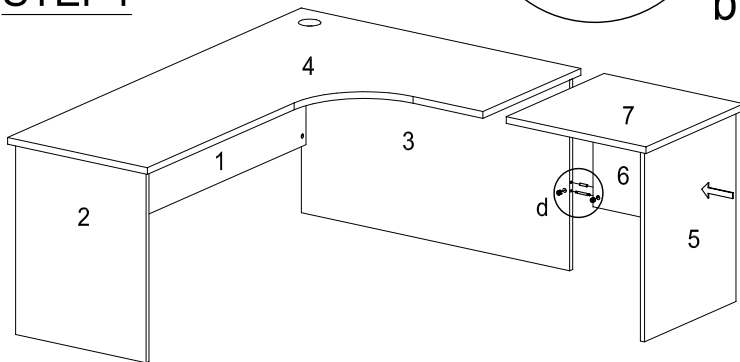
STEP2



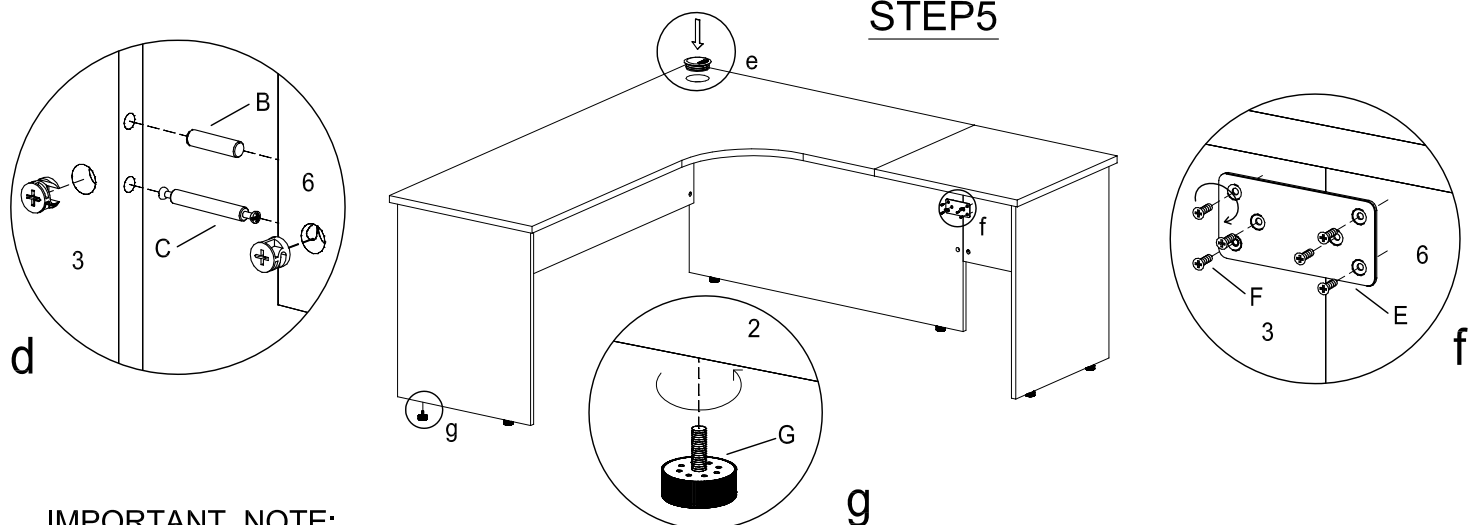
STEP3



STEP4



STEP5


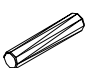



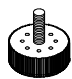
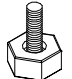


IMPORTANT NOTE:

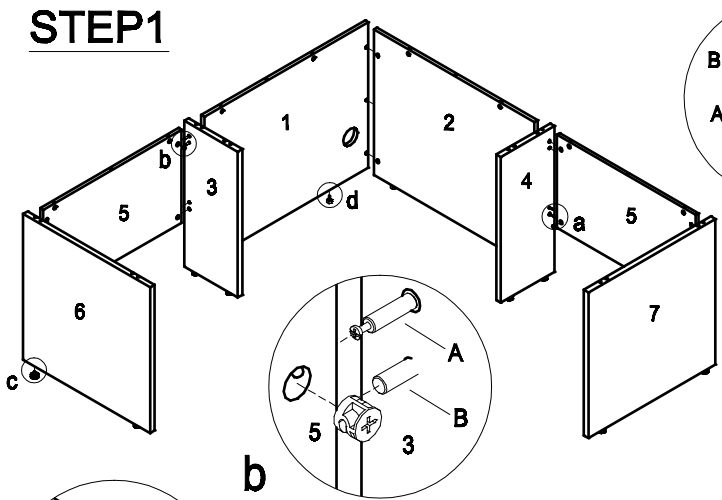
- Place all laminated parts on a clean and smooth surface such as a rug or carpet to avoid the parts from being scratched.
- Check to be sure that you have all parts and hardware.
- Remove all wrapping materials, including staples & packing straps before you start to assemble.
- Don't tighten all screws/bolts until all completely assembled.
- Keep all hardware parts out of reach of children.
- It is recommended to require 2 persons to complete the assembly.

ASSEMBLY INSTRUCTIONS

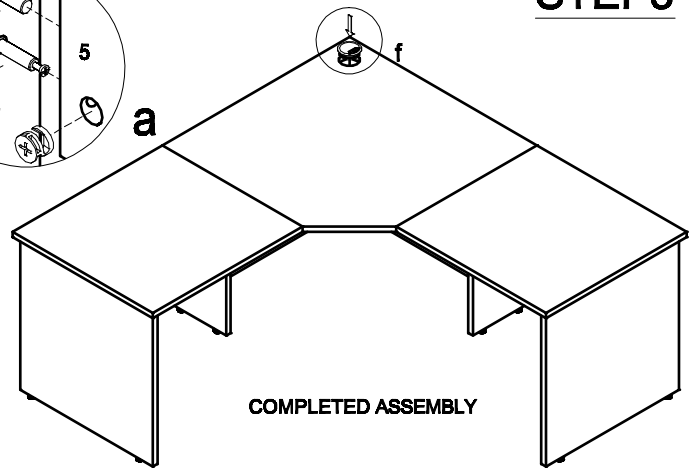
MODEL NO.:CW1875

A  30 (∅ 15x32) CAM LOCK	B  23 (∅ 8x30) DOWEL	C  2 6HOLES PANEL (100x50x2)	D  12 (4x14) SCREWS	E  2 (∅ 80) GROMMET	F  8 ADJUSTABLE GLIDE (M6xH15)	G  4 ADJUSTABLE GLIDE (M6xH15)
---	---	---	--	---	---	---

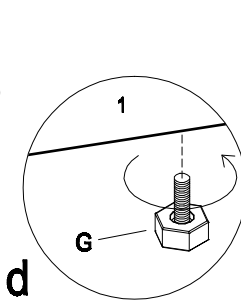
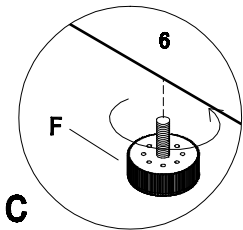
STEP1



STEP3



COMPLETED ASSEMBLY



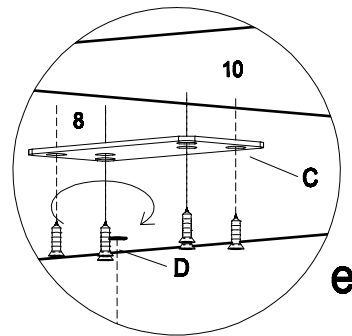
IMPORTANT:

FUNCTION OF KLIX CAM

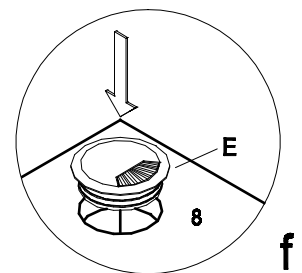
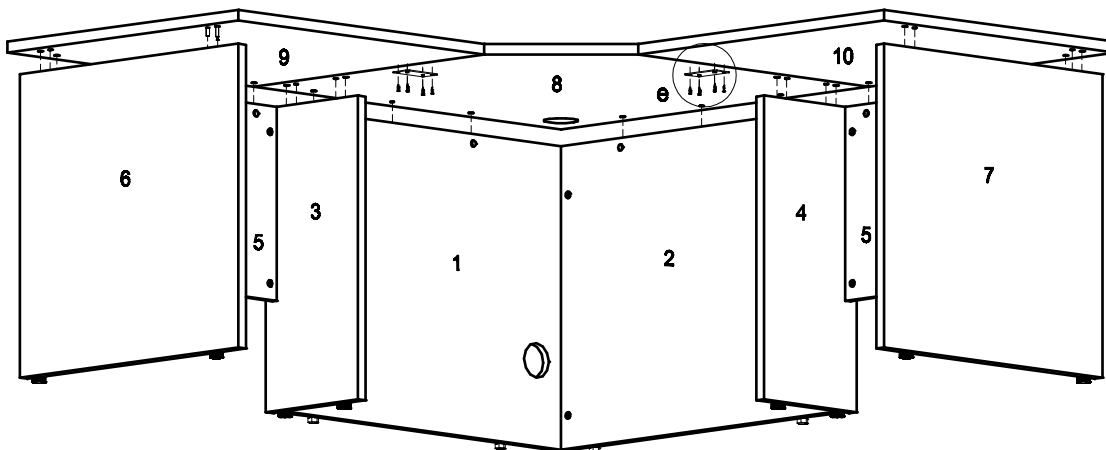


1/4 RIGHT
TURN FOR
LOCKING

MAKE SURE THE ARROW IS
POINTING UPWARDS
BEFORE INSERTING INTO
THE PANEL HOLE.



STEP2



IMPORTANT NOTE:

- Place all laminated parts on a clean and smooth surface such as a rug or carpet to avoid the parts from being scratched.
- Check to be sure that you have all parts and hardware.
- Remove all wrapping materials, including staples & packing straps before you start to assemble.
- Don't tighten all screws/bolts until all completely assembled.
- Keep all hardware parts out of reach of children.
- It is recommended to require 2 persons to complete the assembly.