


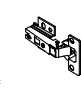

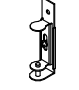
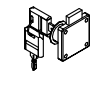





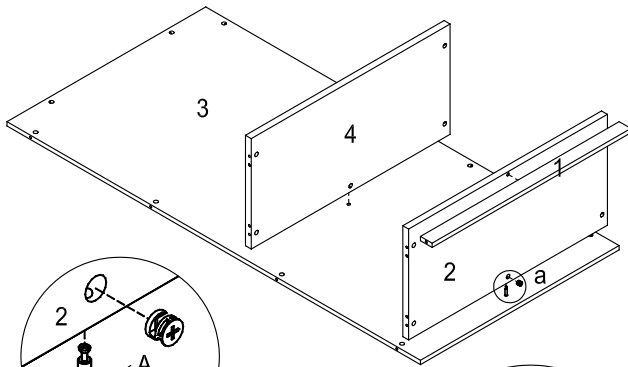


ASSEMBLY INSTRUCTIONS

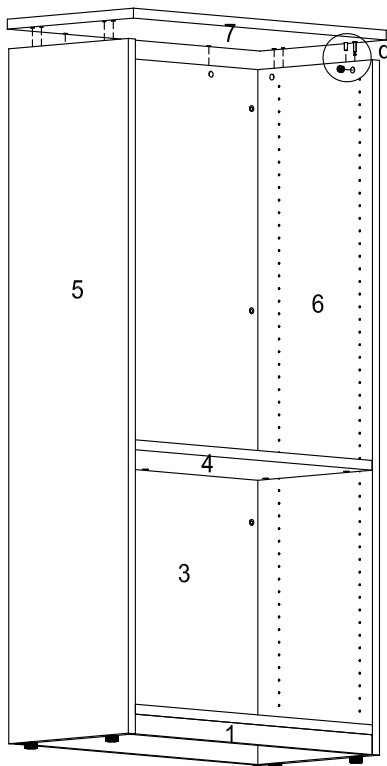
MODEL NO.:HD

A  25 (Ø15x32) CAM LOCK	B  14 (Ø8x32) DOWEL	C  4 (Ø8x115) ADJUSTABLE GLIDE	D  4 HINGE	E  2 (96mm) HANDLE	F  1 BOLT
G  1 DRAWER-LOCK	H  4 (4x22) SCREWS	I  2 (3x12) SCREWS	J  16 (4x14) SCREWS	K  12 (Ø5x15) SHELF SUPPORTER	L  4 (4x20) SCREWS

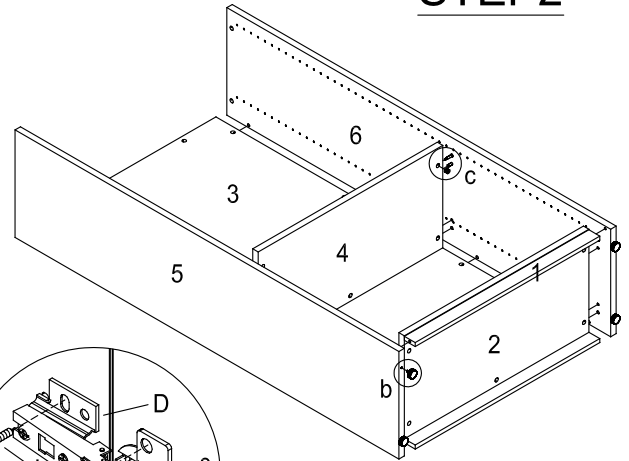
STEP1



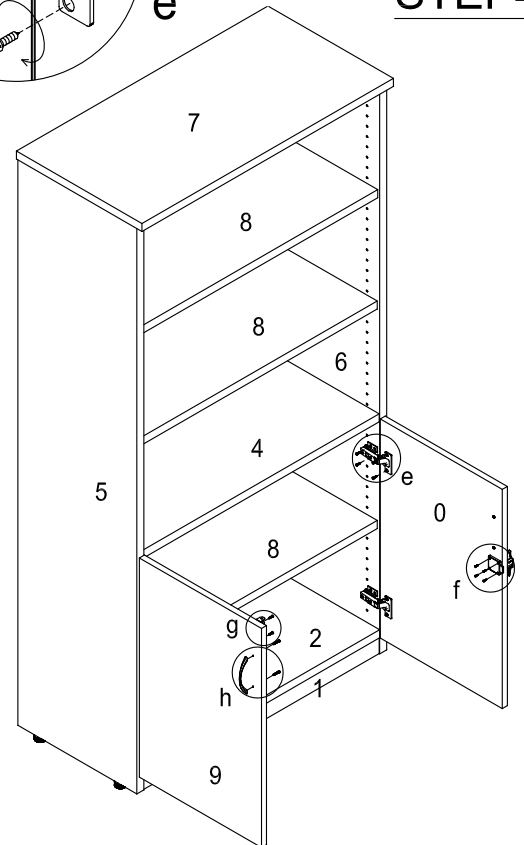
STEP3



STEP2



STEP4



IMPORTANT:

FUNCTION OF KLIX CAM



1/4 RIGHT
TURN FOR
LOCKING

MAKE SURE THE ARROW IS
POINTING UPWARDS
BEFORE INSERTING INTO
THE PANEL HOLE.

IMPORTANT NOTE:

- Place all laminated parts on a clean and smooth surface such as a rug or carpet to avoid the parts from being scratched.
- Check to be sure that you have all parts and hardware.
- Remove all wrapping materials, including staples & packing straps before you start to assemble.
- Don't tighten all screws/bolts until all completely assembled.
- Keep all hardware parts out of reach of children.
- It is recommended to require 2 persons to complete the assembly.