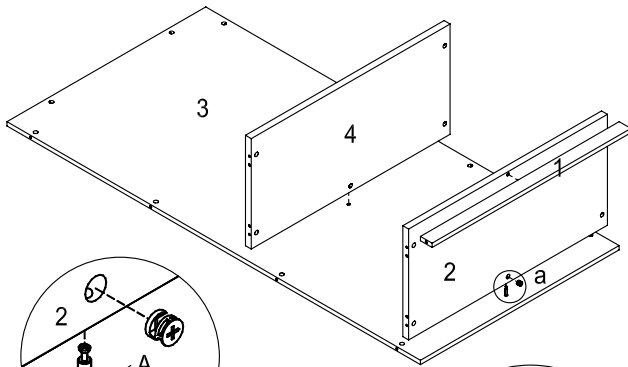


ASSEMBLY INSTRUCTIONS

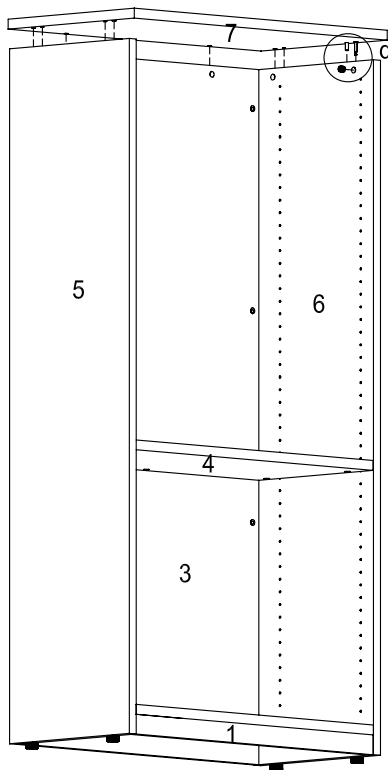
MODEL NO.:FD

A 25 (ø15x32) CAM LOCK	B 14 (ø8x32) DOWEL	C 4 (Ø8xH15) ADJUSTABLE GLIDE	D 8 HINGE	E 2 (96mm) HANDLE	F 2 BOLT
G 1 DRAWER-LOCK	H 4 (4x22) SCREWS	I 4 (3x12) SCREWS	J 32 (4x14) SCREWS	K 12 (ø5x15) SHELF SUPPORTER	L 4 (4x20) SCREWS

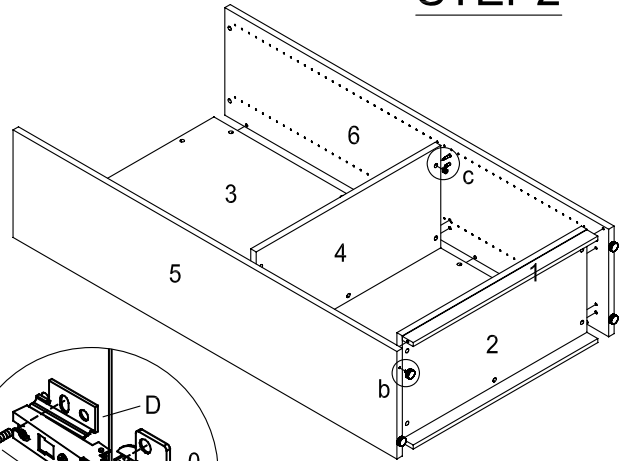
STEP1



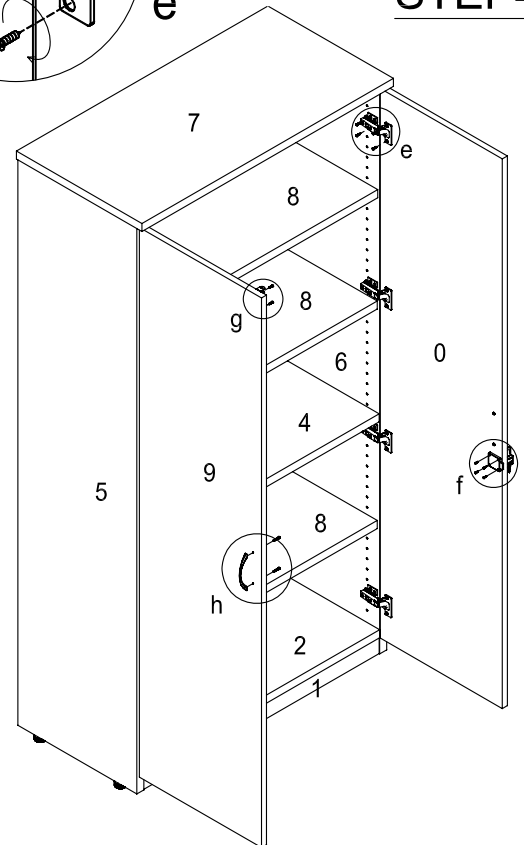
STEP3



STEP2



STEP4



IMPORTANT:

FUNCTION OF KLIX CAM



1/4 RIGHT
TURN FOR
LOCKING

MAKE SURE THE ARROW IS
POINTING UPWARDS
BEFORE INSERTING INTO
THE PANEL HOLE.

IMPORTANT NOTE:

- Place all laminated parts on a clean and smooth surface such as a rug or carpet to avoid the parts from being scratched.
- Check to be sure that you have all parts and hardware.
- Remove all wrapping materials, including staples & packing straps before you start to assemble.
- Don't tighten all screws/bolts until all completely assembled.
- Keep all hardware parts out of reach of children.
- It is recommended to require 2 persons to complete the assembly.