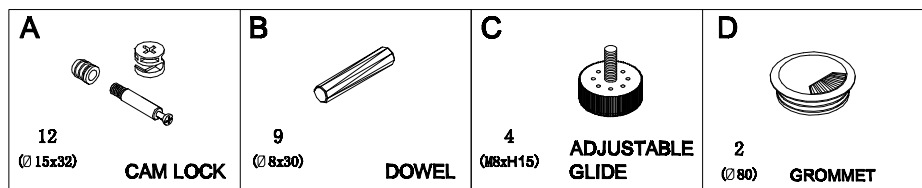


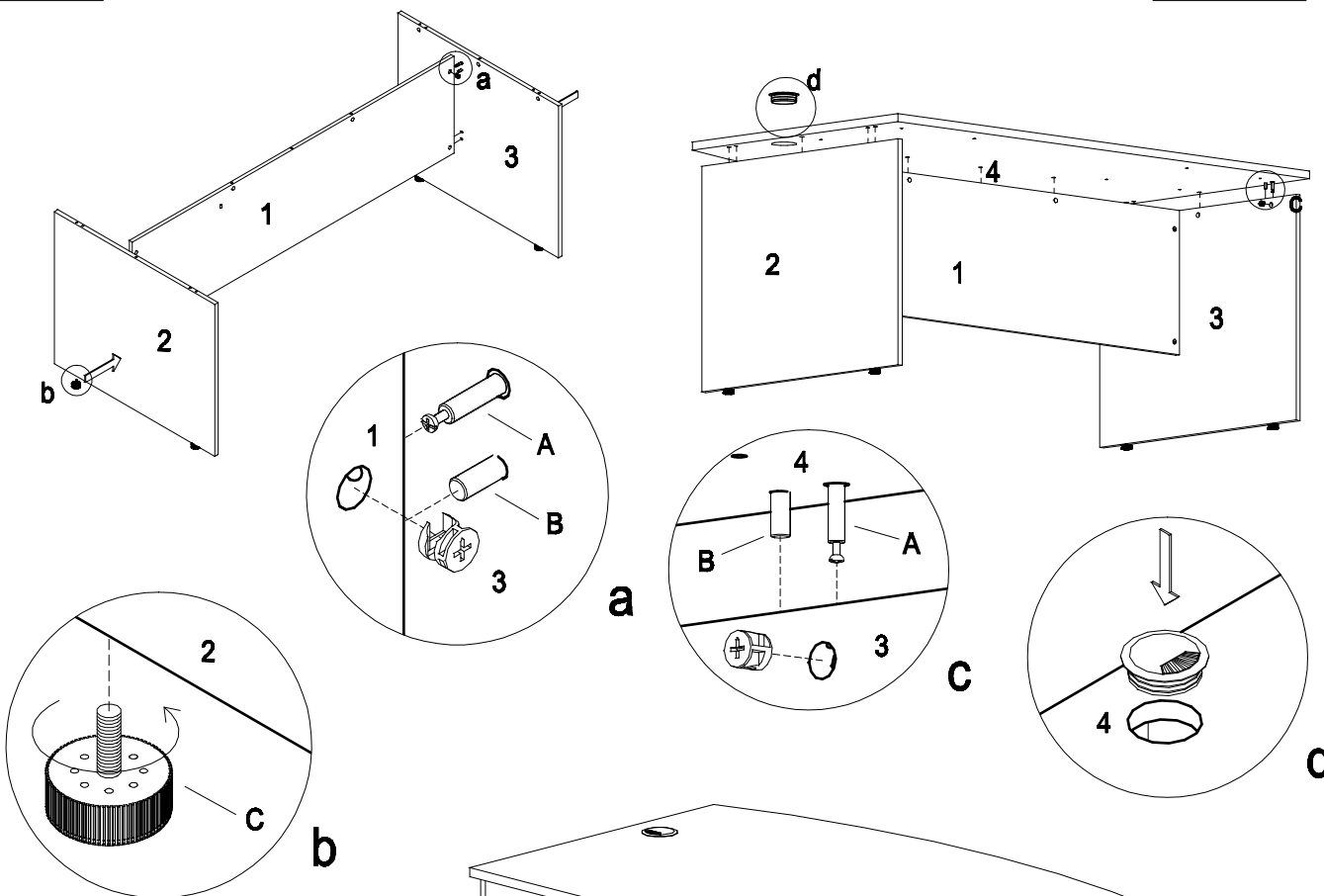
ASSEMBLY INSTRUCTIONS

MODEL NO.:DKBF18

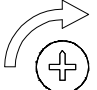


STEP1

STEP2



IMPORTANT:

FUNCTION OF KLIX CAM	
	1/4 RIGHT TURN FOR LOCKING
MAKE SURE THE ARROW IS POINTING UPWARDS BEFORE INSERTING INTO THE PANEL HOLE.	

COMPLETED ASSEMBLY

IMPORTANT NOTE:

- Place all laminated parts on a clean and smooth surface such as a rug or carpet to avoid the parts from being scratched.
- Check to be sure that you have all parts and hardware.
- Remove all wrapping materials, including staples & packing straps before you start to assemble.
- Don't tighten all screws/bolts until all completely assembled.
- Keep all hardware parts out of reach of children.
- It is recommended to require 2 persons to complete the assembly.