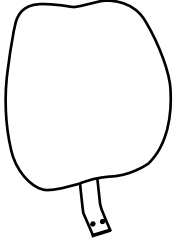
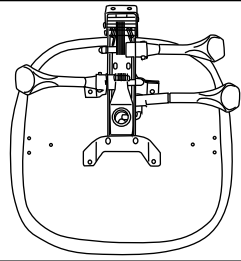
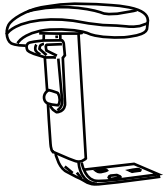
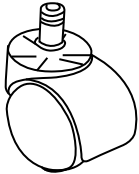




MODEL: YS21A YS21B YS43A YS43 YS44 YS45

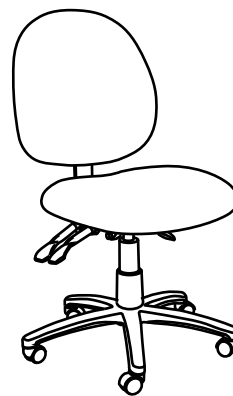
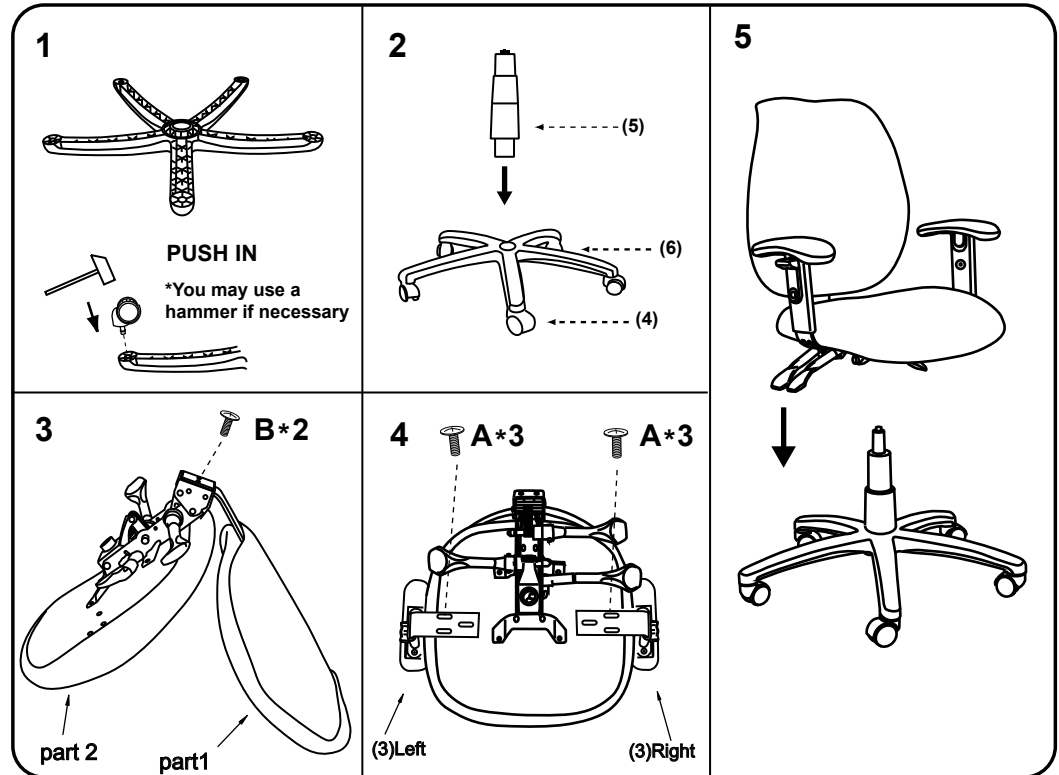
(1)x1	(2)x1	(3)x1 (L)x1 (R)
		
(4)x5	(5)x1	(6)x1
		

It is important to assemble all parts so that the directional "Arrows" point in the same direction. Make certain that all screws are FULLY tightened before using the chair. Each month, check all screws and tighten any that may have loosened

**Please unscrew all screws from cushion before assembly.**

(A)\*6  M6 \* 22 Arm screw

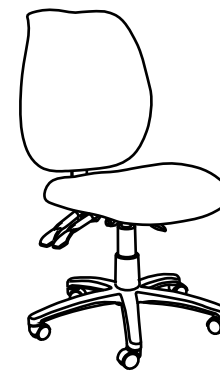
(B)\*2  M8 \* 22 L-bar screw



YS21A



YS21B



YS43A  
YS44 YS45



YS43