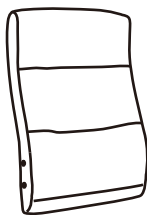

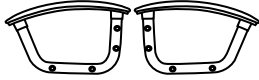
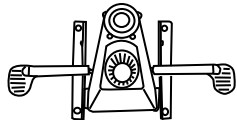
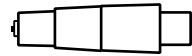
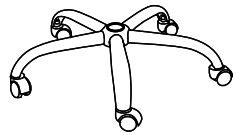
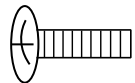


# MODEL : YS201

(1)x1  Back Cushion	(2)x1  Seat Cushion	(3)x1 (L)x1 (R)  Right & Left Arm
(4)x 1  Mechanism	(5)x1  Gas Lift W/ Cover	(6)x1  Base

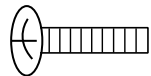
**Please unscrew all screws from cushion before assembly.**

**(A)\*4**



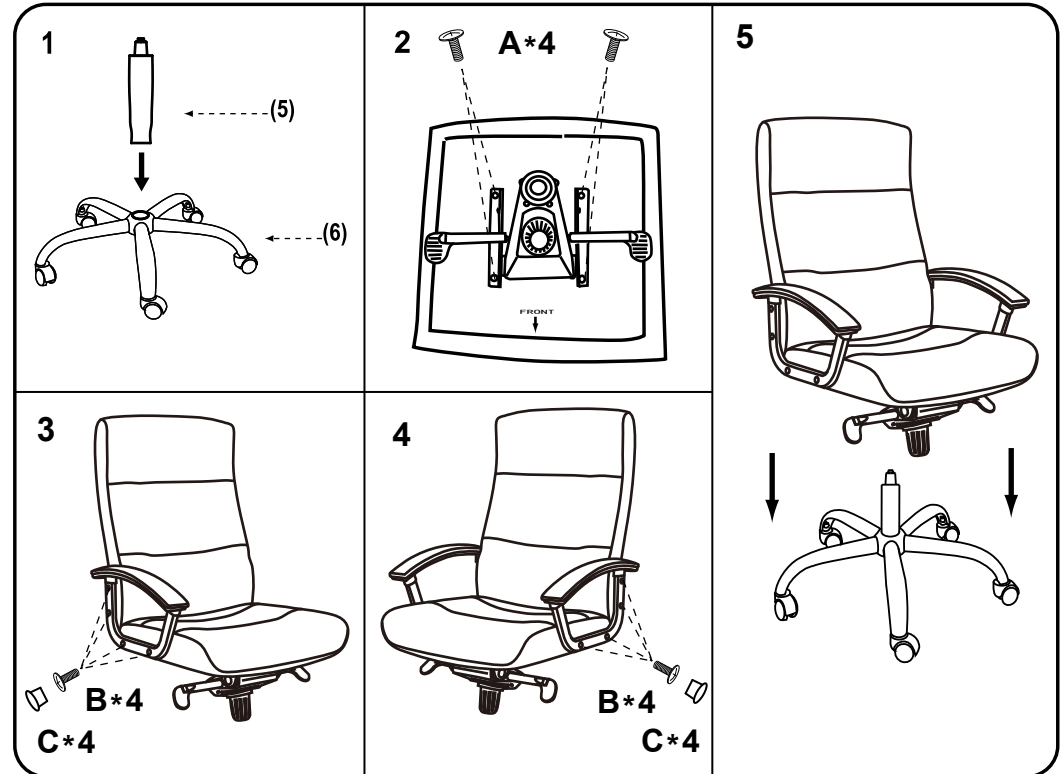
**M8 \* 22**

**(B)\*8**



**M6 \* 25**

**(C)\*8**



**Insert and loosely tighten all screws. When assembly is completed, fully tighten all screws before using. This chair is only intended for sitting. Any other use will void the warranty.**

