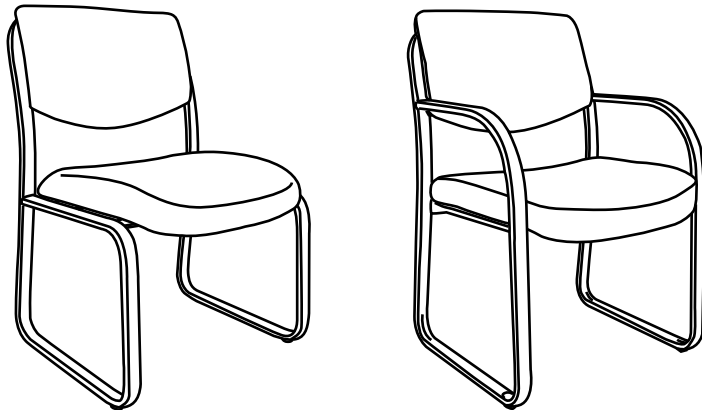


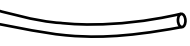






Assembly Instruction

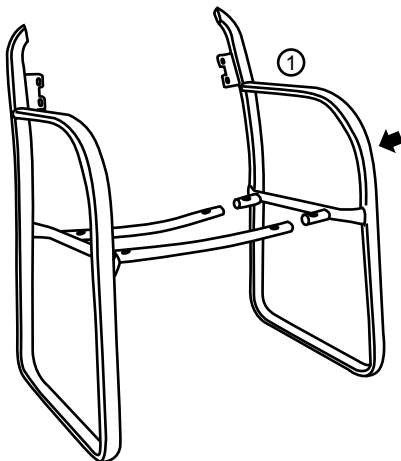
B9520 9521 9529 9539 YS10

CAUTION : Because of the edges of some parts before assembly may be sharp, please handle unassembled parts carefully.

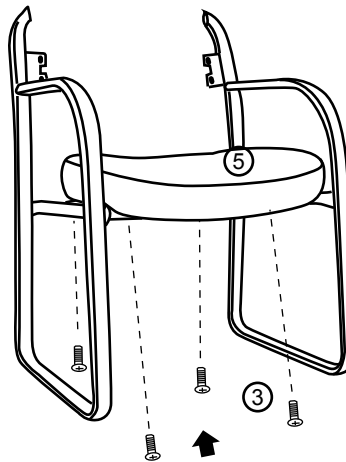


	Parts List	Q' ty
①		2
②	BACK  FRONT 	2
③		4
④		4
⑤		1
⑥		1

1 Frame & Tube

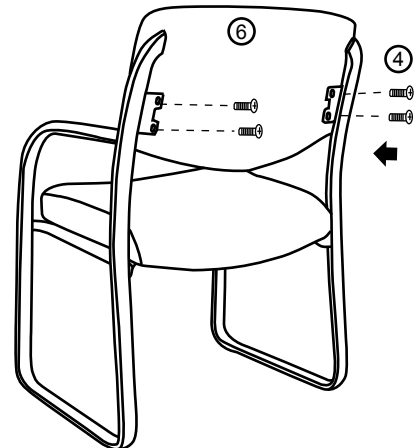


2 Seat & Frame



Insert and loosely tighten all screws. Failure to do this will cause holes not to line up properly. When assembly is completed, fully tighten all screws before using.

3 Back Joint



- Please unscrew all screws from cushion before assembly
- Por favor quitar los tornillos del asiento antes de ensamblar
- Por favor, desparafuse todos os parafusos do assento antes da montagem

Do not tighten bolts fully until you have assembled the chair completely.