

## ASSEMBLY INSTRUCTIONS:

Product Code : VIENNA

Product Name: Vienna Mesh Back Chair



**BDO Furniture Group**  
"MAKING FURNITURE EASY"

### TIME REQUIRED:

20 minutes

### TOOLS REQUIRED:

Screwdriver, Electric Drill, Pencil, Measuring tape/Ruler

\*Tools are not included.

### SKILL REQUIRED:

Easy ●●●○○ Hard

The Assembly Skill Rating is a 5-point system that shows the degree of effort needed in assembling a specific product. With 1 being easy for the average person and 5 requiring an expert. For most products, two persons are recommended.

#### NOTE

- As this is a commercial product, some intermediate skills may be required.
  - No pre-drill holes or markings are provided on our table or desk tops.
    - Please check you have all hardware before assembling.
- If you are missing any hardware, please contact your Rapidline reseller. Please ensure you have the name of the item, required hardware part and quantity.
  - Please retain your receipt as proof of purchase to validate your warranty.
- Assemble on a clean, flat, smooth surface such as a rug or carpet to avoid parts from being scratched.
  - Remove all wrapping materials, including staples and packing straps before you start to assemble
    - Keep all hardware parts out of reach of children.





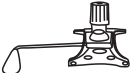










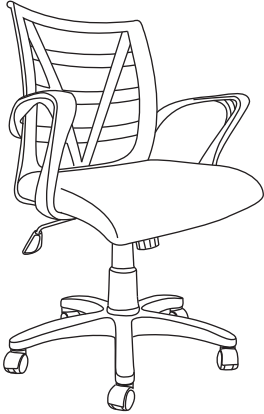
#### CAUTION

- Heavy product. Do not attempt to lift or move without help
- Do not tighten screws and bolts until completely assembled.
- Do not use this product unless all bolts and screws are firmly secured and tightened.

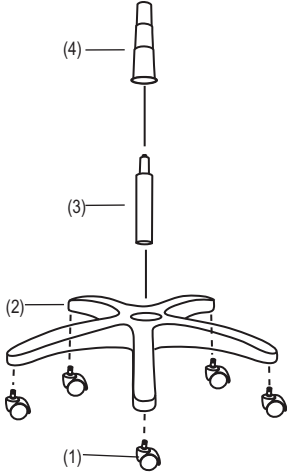
#### WARNING

- If parts are missing, broken, damaged or worn stop using the product until all repairs are made.
  - Failure to follow these warnings could result in serious injury.

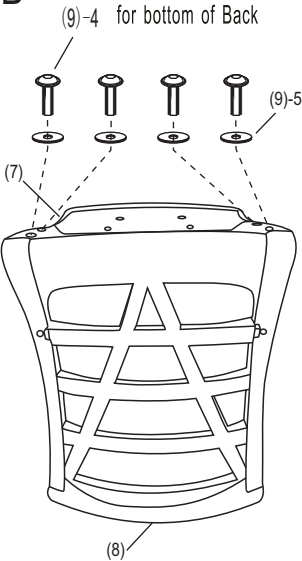
# VIENNA

(1) Castors	(2) Base	(3) Gas Lift	(4) 3 Cups Plastic Cover
			
(5) Mechanism	(6) Armrests	(7) Seat	(8) Back
			
<p>(9)</p> <ol style="list-style-type: none"> <li> 4pcs M6*20mm for Mechanism</li> <li> 2pcs M6*25mm for Back of Armrest</li> <li> 4pcs M6*30mm for Seat of Armrest</li> <li> 4pcs M6*35mm for bottom of Back</li> <li> 8pcs Washer for Mechanism&amp;Seat of Armrest</li> <li> 2pcs Cores for Arm Screw</li> <li> 1pc Hexangular key</li> </ol>			
			

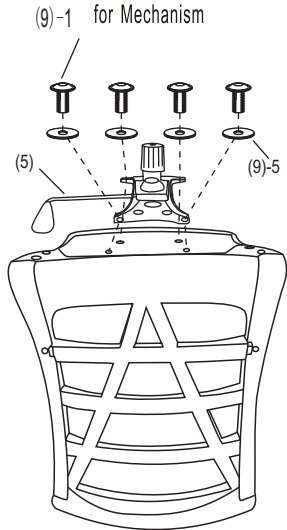
### A



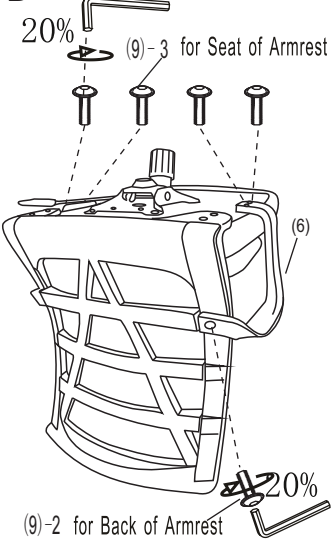
### B



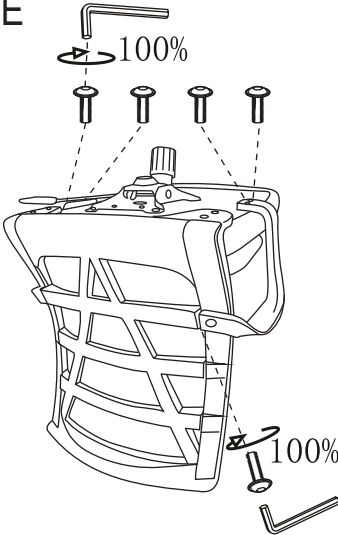
### C



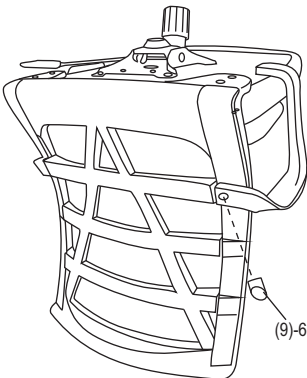
### D



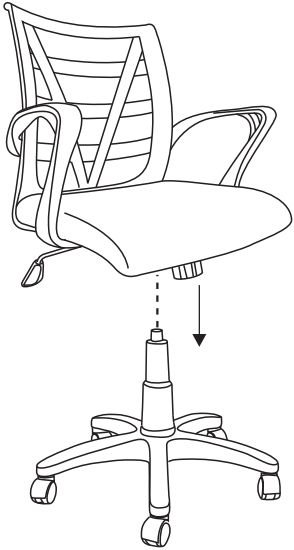
### E



### F



### G



### H

