

ASSEMBLY INSTRUCTIONS:

Product Code : SWIFT BL

Product Name: Swift Task Chair



BDO Furniture Group
"MAKING FURNITURE EASY"

TIME REQUIRED:

15 minutes

TOOLS REQUIRED:

Screwdriver, Electric Drill, Pencil, Measuring tape/Ruler

*Tools are not included.

SKILL REQUIRED:

Easy ●●●○○ Hard

The Assembly Skill Rating is a 5-point system that shows the degree of effort needed in assembling a specific product. With 1 being easy for the average person and 5 requiring an expert. For most products, two persons are recommended.

NOTE

- As this is a commercial product, some intermediate skills may be required.
 - No pre-drill holes or markings are provided on our table or desk tops.
 - Please check you have all hardware before assembling.
- If you are missing any hardware, please contact your Rapidline reseller. Please ensure you have the name of the item, required hardware part and quantity.
 - Please retain your receipt as proof of purchase to validate your warranty.
- Assemble on a clean, flat, smooth surface such as a rug or carpet to avoid parts from being scratched.
 - Remove all wrapping materials, including staples and packing straps before you start to assemble
 - Keep all hardware parts out of reach of children.




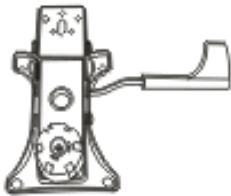
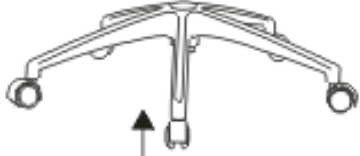






CAUTION

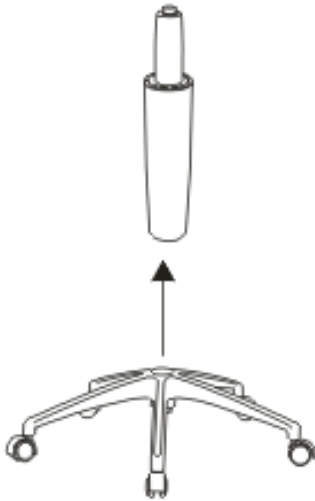
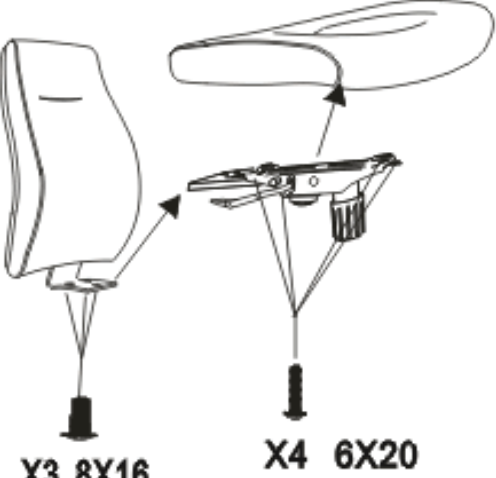
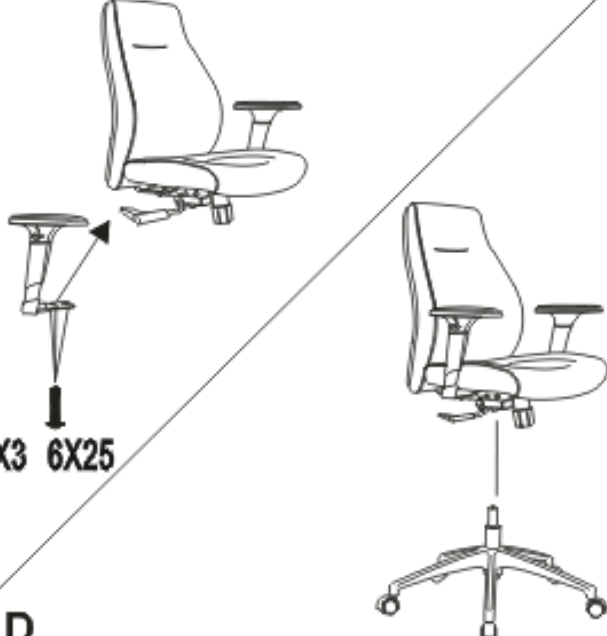

- Heavy product. Do not attempt to lift or move without help
- Do not tighten screws and bolts until completely assembled.
- Do not use this product unless all bolts and screws are firmly secured and tightened.

WARNING

- If parts are missing, broken, damaged or worn stop using the product until all repairs are made.
 - Failure to follow these warnings could result in serious injury.

SWIFT BL

(1)	(2)	(3)	(4)	(5)	(6)	(7)
		 X2		 X5		 X6 6x25  X4 6x20  X3 8X16  M5  M6

A	B	C
	 X3 8X16 X4 6X20	 X3 6X25
D		

<p>1.</p> <ul style="list-style-type: none"> • Insert gas lift into the base with castors 	<p>1.</p> <ul style="list-style-type: none"> • Use the 6x20 screws to attach the seat mechanism to the bottom of the seat • Use the 8x16 screws to attach the back to the seat 	<p>1.</p> <ul style="list-style-type: none"> • Use the 6x25 screws to attach both arms to the seat • Push gasslift down and insert it into the slot under the seat
--	--	--

