

## ASSEMBLY INSTRUCTIONS:

Product Code : SPB49 / RSRT9 / RWRT9 / RBRT9 / RSRT12 / RWRT12 / RBRT12  
Product Name: 4 Star Round Table Frame



**BDO Furniture Group**  
"MAKING FURNITURE EASY"

### TIME REQUIRED:

15 minutes

### TOOLS REQUIRED:

Screwdriver, Electric Drill, Pencil, Measuring tape/Ruler  
\*Tools are not included.

### SKILL REQUIRED:

Easy ●●○○○ Hard

The Assembly Skill Rating is a 5-point system that shows the degree of effort needed in assembling a specific product. With 1 being easy for the average person and 5 requiring an expert. For most products, two persons are recommended.

#### NOTE

- As this is a commercial product, some intermediate skills may be required.
  - No pre-drill holes or markings are provided on our table or desk tops.
  - Please check you have all hardware before assembling.
- If you are missing any hardware, please contact your Rapidline reseller. Please ensure you have the name of the item, required hardware part and quantity.
  - Please retain your receipt as proof of purchase to validate your warranty.
- Assemble on a clean, flat, smooth surface such as a rug or carpet to avoid parts from being scratched.
  - Remove all wrapping materials, including staples and packing straps before you start to assemble
    - Keep all hardware parts out of reach of children.

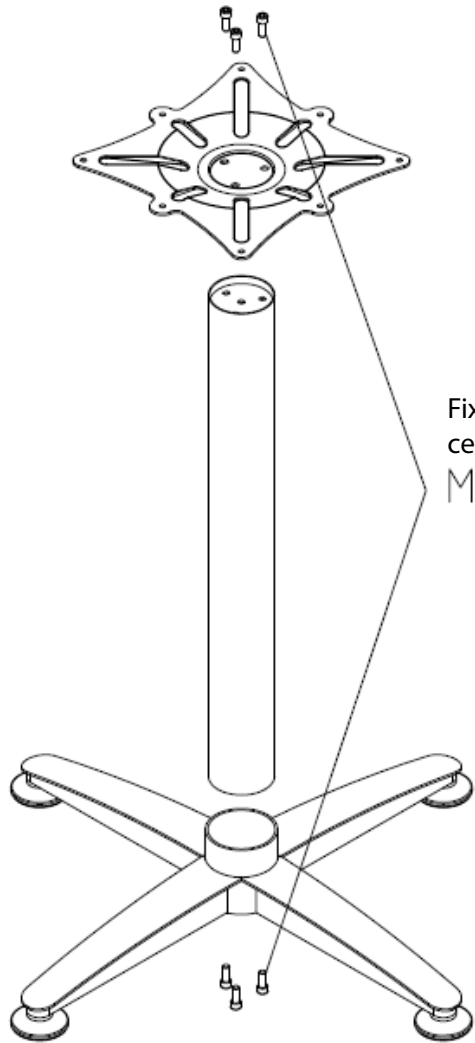
#### CAUTION

- Heavy product. Do not attempt to lift or move without help
- Do not tighten screws and bolts until completely assembled.
- Do not use this product unless all bolts and screws are firmly secured and tightened.

#### WARNING

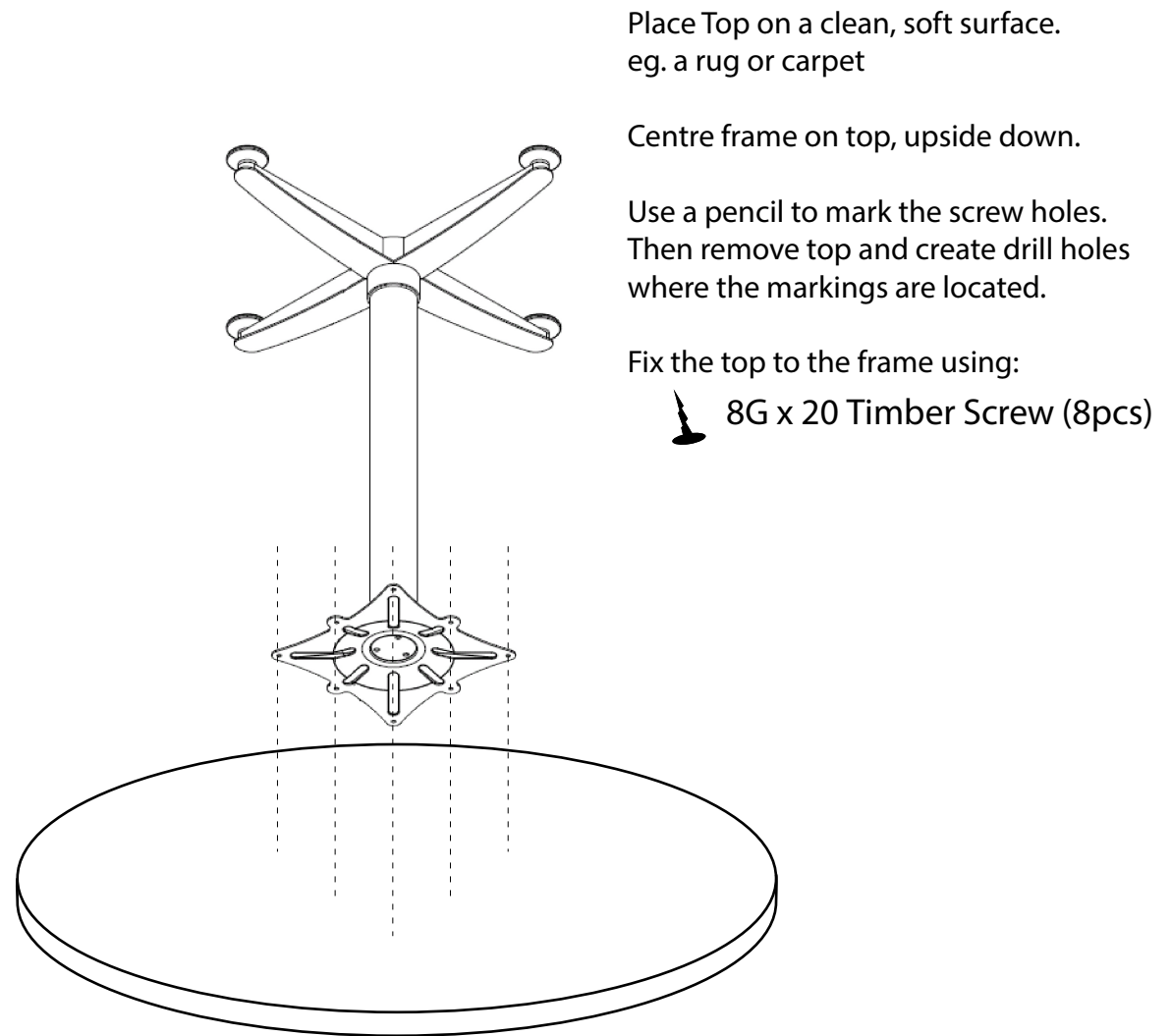
- If parts are missing, broken, damaged or worn stop using the product until all repairs are made.
  - Failure to follow these warnings could result in serious injury.

## Step 1 - SPB49 Frame Only



Fix top and bottom of base to  
centre pole using :  
M8x25(6pcs)

## Step 2 - 4 Star Table



Place Top on a clean, soft surface.  
eg. a rug or carpet

Centre frame on top, upside down.

Use a pencil to mark the screw holes.  
Then remove top and create drill holes  
where the markings are located.

Fix the top to the frame using:

 8G x 20 Timber Screw (8pcs)