

# ASSEMBLY INSTRUCTIONS:

Product Code : MIRAE MB BL

Product Name: MIRAE MB

## TIME REQUIRED:

15 minutes

## TOOLS REQUIRED:

Screwdriver, Electric Drill, Pencil, Measuring tape/Ruler

\*Tools are not included.

## SKILL REQUIRED:

Easy  Hard

The Assembly Skill Rating is a 5-point system that shows the degree of effort needed in assembling a specific product. With 1 being easy for the average person and 5 requiring an expert. For most products, two persons are recommended.

Please note, as this is a commercial product, some intermediate skills are required.

\*No pre-drill holes or markings are provided on tops.

### NOTE

- As this is a commercial product, some intermediate skills may be required.
  - No pre-drill holes or markings are provided on our table or desk tops.
    - Please check you have all hardware before assembling.
- If you are missing any hardware, please contact your BDO reseller. Please ensure you have the name of the item, required hardware part and quantity.
  - Please retain your receipt as proof of purchase to validate your warranty.
- Assemble on a clean, flat, smooth surface such as a rug or carpet to avoid parts from being scratched.
  - Remove all wrapping materials, including staples and packing straps before you start to assemble
    - Keep all hardware parts out of reach of children.

### CAUTION

- Heavy product. Do not attempt to lift or move without help
- Do not tighten screws and bolts until completely assembled.
- Do not use this product unless all bolts and screws are firmly secured and tightened.

### WARNING

- If parts are missing, broken, damaged or worn stop using the product until all repairs are made.
  - Failure to follow these warnings could result in serious injury.



**BDO Furniture Group**  
"MAKING FURNITURE EASY"

# ASSEMBLY INSTRUCTIONS

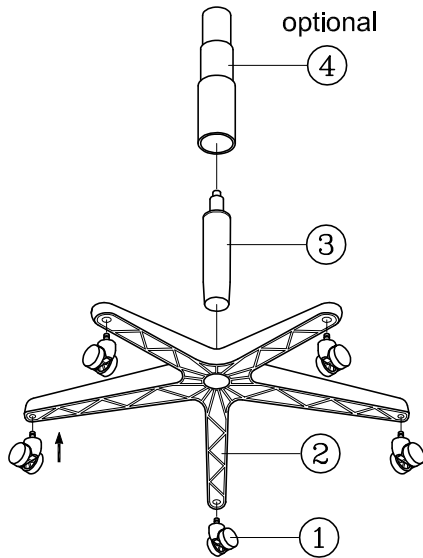
Remove all items from the carton. Verify all pieces before assembly.

## PARTS LIST

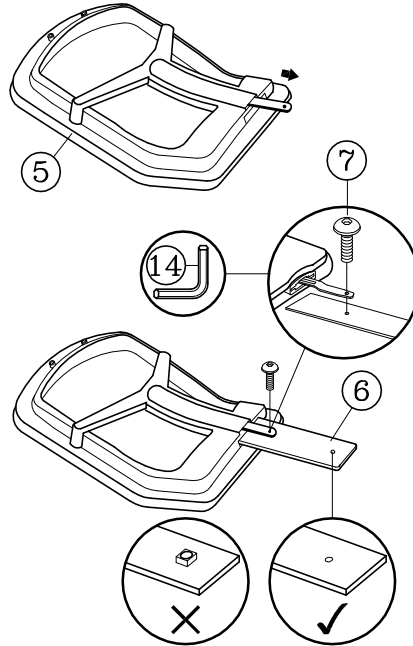
TORQUE SETTINGS TO FIX ALL BOLTS: 1.6Nm

KEY QTY	DESCRIPTION	KEY QTY	DESCRIPTION	KEY QTY	DESCRIPTION
1	5 Caster	6	1 Backrest Post	11	1 Back Tight Bolt
2	1 Base	7	1 Backrest Screw	12	1 Back Post Bellow
3	1 Seat Post	8	1 Seat	13	2 Back Post Bellow Screw
4	1 Seat Post Cover (optional)	9	1 Mechanism	14	1 M5 Size Allen Wrench
5	1 Backrest	10	6 Mechanism Screw	15	1 17mm Wrench

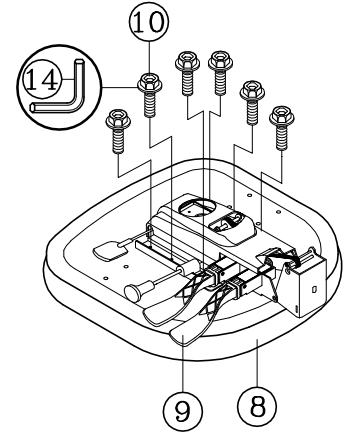
### STEP 1.



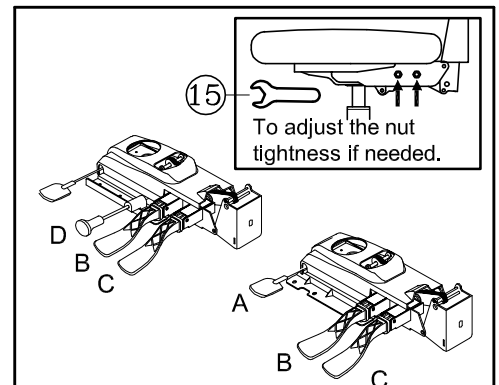
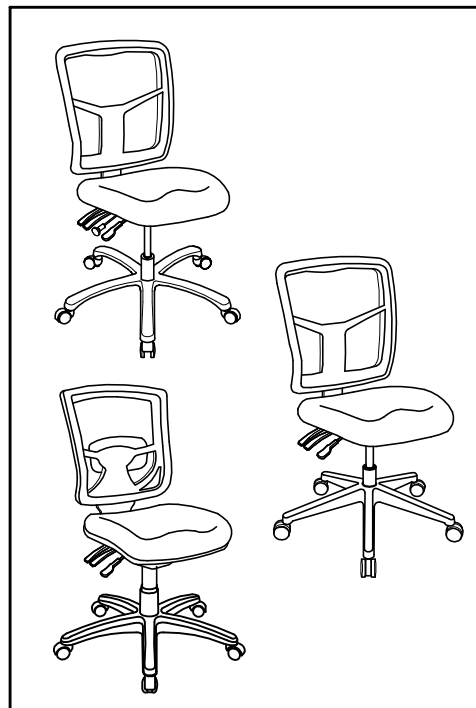
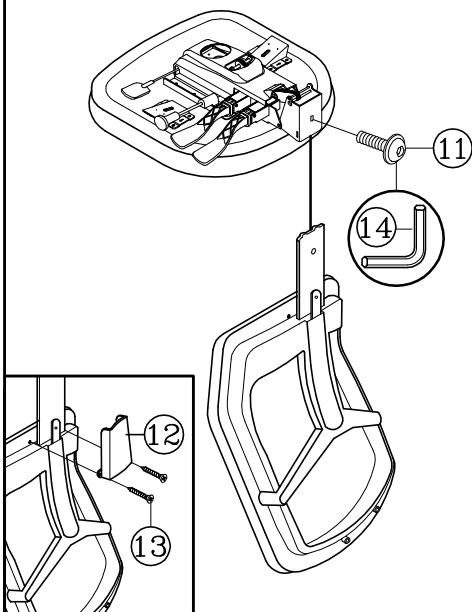
### STEP 2.



### STEP 3.



### STEP 4.



#### MECHANISM INSTRUCTIONS:

- A** Pneumatic seat height adjustment
- B** Seat angle adjustment :  
Seat angle adjusts independently with a single lever.
- C** Backrest angle adjustment :  
Back angle adjusts independently with a single lever.
- D** Sliding seat:  
It provides seat depth adjustment for different user leg lengths.

#### PREVENTIVE MAINTENANCE AND WARNING!

- USE THIS PRODUCT ONLY FOR SEATING ONE PERSON AT A TIME.
- DO NOT USE THIS CHAIR AS A STEP STOOL / LADDER.
- DO NOT SIT ON ANY PART OF THE CHAIR EXCEPT THE SEAT.
- DO NOT USE CHAIR ON UNEVEN FLOOR SURFACES.
- DO NOT USE CHAIR UNLESS ALL BOLTS, SCREWS AND KNOBS ARE TIGHTENED.
- EVERY SIX MONTHS, PLEASE MAKE SURE ALL BOLTS, SCREWS AND KNOBS ARE FULLY TIGHTENED TO ENSURE STABILITY.
- IF ANY PARTS ARE MISSING, BROKEN, DAMAGED OR WORN, STOP USE OF THE PRODUCT UNTIL REPAIRS ARE MADE USING FACTORY AUTHORIZED PARTS.
- DISPOSE OF PACKAGING PROPERLY. PLASTIC BAG IS NOT A TOY. DO NOT USE PLASTIC BAG AS HEAD COVERING - IT MAY CAUSE SUFFOCATION.
- FAILURE TO FOLLOW THESE WARNINGS COULD RESULT IN SERIOUS INJURY.
- NOTE: SOME SCREWS MAY BE PREASSEMBLED. IF PREASSEMBLED, IGNORE ASSEMBLY INSTRUCTIONS.

MESH MIRAE SERIES W/O ARMS / MESH MIRAE S/S POLISHED  
MESHMIRAE PU / MESH MIRAE M/B POL / SIENA ERGO / MERIDA M/B