

ASSEMBLY INSTRUCTIONS:

Product Code : ERGO AIR BL

Product Name: ERGO AIR

TIME REQUIRED:

15 minutes

TOOLS REQUIRED:

Screwdriver, Electric Drill, Pencil, Measuring tape/Ruler

*Tools are not included.

SKILL REQUIRED:

Easy ●●●○○ Hard

The Assembly Skill Rating is a 5-point system that shows the degree of effort needed in assembling a specific product. With 1 being easy for the average person and 5 requiring an expert. For most products, two persons are recommended.

Please note, as this is a commercial product, some intermediate skills are required.

*No pre-drill holes or markings are provided on tops.

NOTE

- As this is a commercial product, some intermediate skills may be required.
 - No pre-drill holes or markings are provided on our table or desk tops.
 - Please check you have all hardware before assembling.
- If you are missing any hardware, please contact your BDO reseller. Please ensure you have the name of the item, required hardware part and quantity.
 - Please retain your receipt as proof of purchase to validate your warranty.
- Assemble on a clean, flat, smooth surface such as a rug or carpet to avoid parts from being scratched.
 - Remove all wrapping materials, including staples and packing straps before you start to assemble
 - Keep all hardware parts out of reach of children.

CAUTION

- Heavy product. Do not attempt to lift or move without help
- Do not tighten screws and bolts until completely assembled.
- Do not use this product unless all bolts and screws are firmly secured and tightened.

WARNING

- If parts are missing, broken, damaged or worn stop using the product until all repairs are made.
 - Failure to follow these warnings could result in serious injury.



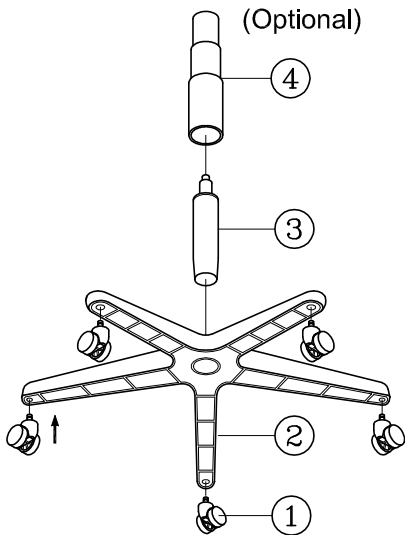
BDO Furniture Group
"MAKING FURNITURE EASY"

ASSEMBLY INSTRUCTIONS

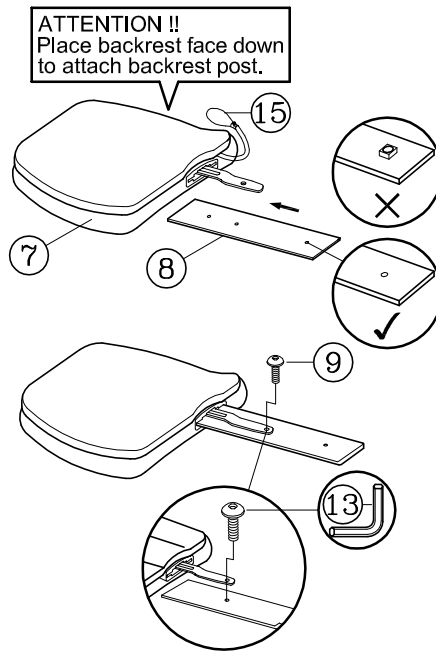
PARTS LIST

KEY	QTY	DESCRIPTION	KEY	QTY	DESCRIPTION	KEY	QTY	DESCRIPTION
1	5	Caster	7	1	Backrest	13	1	M5 Size Allen Wrench
2	1	Base	8	1	Backrest Post	14	1	M6 Size Allen Wrench
3	1	Seat Post	9	1	Backrest Post Screw	15	1	Air Pump
4	1	Seat Post Cover (Optional)	10	6	Mechanism Screw	16	1	Air Pump Holder (optional)
5	1	Mechanism	11	1	Backr Tight Bolt	TORQUE SETTINGS TO FIX ALL BOLTS: 1.6Nm		
6	1	Seat	12	1	Backrest Bellow			

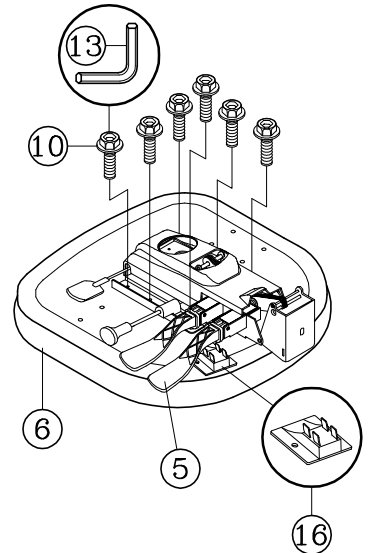
STEP 1.



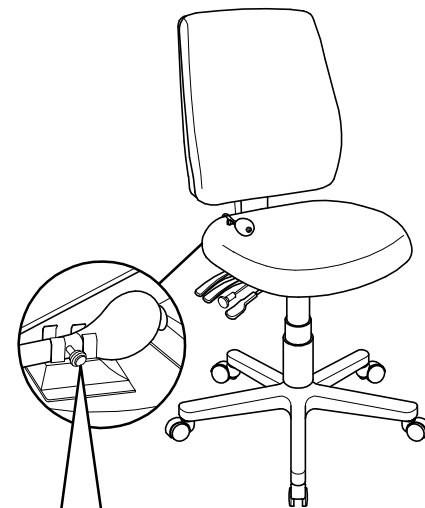
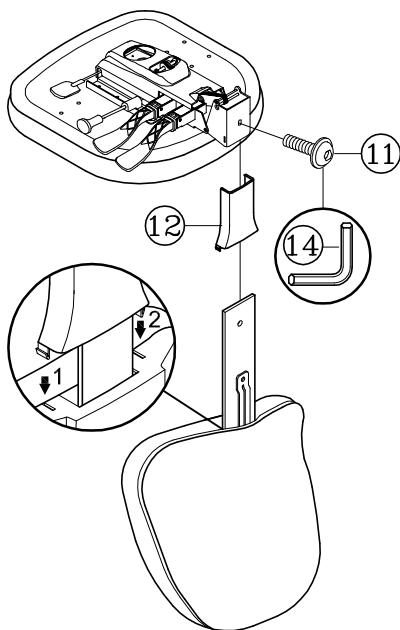
STEP 2.



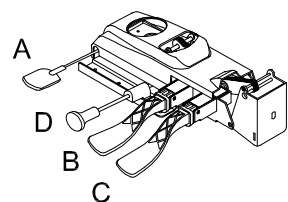
STEP 3.



STEP 4.



For lumbar support, inflate back airbag by pumping air through the air pump. To discharge air, turn releasing knob of the air pump counterclockwise.



MECHANISM INSTRUCTIONS:

- A** Pneumatic seat height adjustment
- B** **Seat angle adjustment :**
Seat angle adjusts independently with a single lever.
- C** **Backrest angle adjustment :**
Back angle adjusts independently with a single lever.
- D** Pull handle bar up , allows seat to slide forward and backward . Release handle bar to lock desired seat position.

ATTENTION

1. THIS ASSEMBLY INSTRUCTION IS ONLY FOR ASSEMBLING THE CHAIR. THE CHAIR DRAWING MAY BE DIFFERENT FROM CHAIR APPEARANCE.
2. SOME SCREWS MAY PREASSEMBLED , ASSEMBLERS CAN IGNORE THE STEP.
3. REMOVE ALL ITEMS FROM THE CARTON. VERIFY ALL PIECES BEFORE ASSEMBLY.

PREVENTIVE MAINTENANCE AND WARNING!

- IF ANY PARTS ARE MISSING, BROKEN, DAMAGED OR WORN, STOP USE OF THE PRODUCT UNTIL REPAIRS ARE MADE USING FACTORY AUTHORIZED PARTS.
- DISPOSE OF PACKAGING PROPERLY.
- FAILURE TO FOLLOW THESE WARNINGS COULD RESULT IN SERIOUS INJURY.
- EVERY SIX MONTHS, PLEASE MAKE SURE ALL BOLTS, SCREWS AND KNOBS ARE FULLY TIGHTENED TO ENSURE STABILITY.