

# ASSEMBLY INSTRUCTIONS:

Product Code : SHS-HAB / SHS-FS / SHS-FD / SHS-CL / SHS-LB / SHS-TB  
Product Name: SHUSH30 Fixings

## TIME REQUIRED:

15+ minutes

## TOOLS REQUIRED:

Screwdriver, Electric Drill, Pencil, Measuring tape/Ruler, Spirt Level Required

\*Tools are not included.

## SKILL REQUIRED:

Easy  Hard

The Assembly Skill Rating is a 5-point system that shows the degree of effort needed in assembling a specific product. With 1 being easy for the average person and 5 requiring an expert. For most products, two persons are recommended.

Please note, this is a Modular product.

The following instructions are for fixing SHUSH30 screens.

Various layouts and configurations may require different fixing locations.

Not all instructions in this assembly guide may be relevant for your situation.

### NOTE

- As this is a commercial product, some intermediate skills may be required.
  - No pre-drill holes or markings are provided on our table or desk tops.
    - Please check you have all hardware before assembling.
- If you are missing any hardware, please contact your Rapidline reseller. Please ensure you have the name of the item, required hardware part and quantity.
  - Please retain your receipt as proof of purchase to validate your warranty.
- Assemble on a clean, flat, smooth surface such as a rug or carpet to avoid parts from being scratched.
  - Remove all wrapping materials, including staples and packing straps before you start to assemble
    - Keep all hardware parts out of reach of children.

### CAUTION

- Heavy product. Do not attempt to lift or move without help
- Do not tighten screws and bolts until completely assembled.
- Do not use this product unless all bolts and screws are firmly secured and tightened.

### WARNING

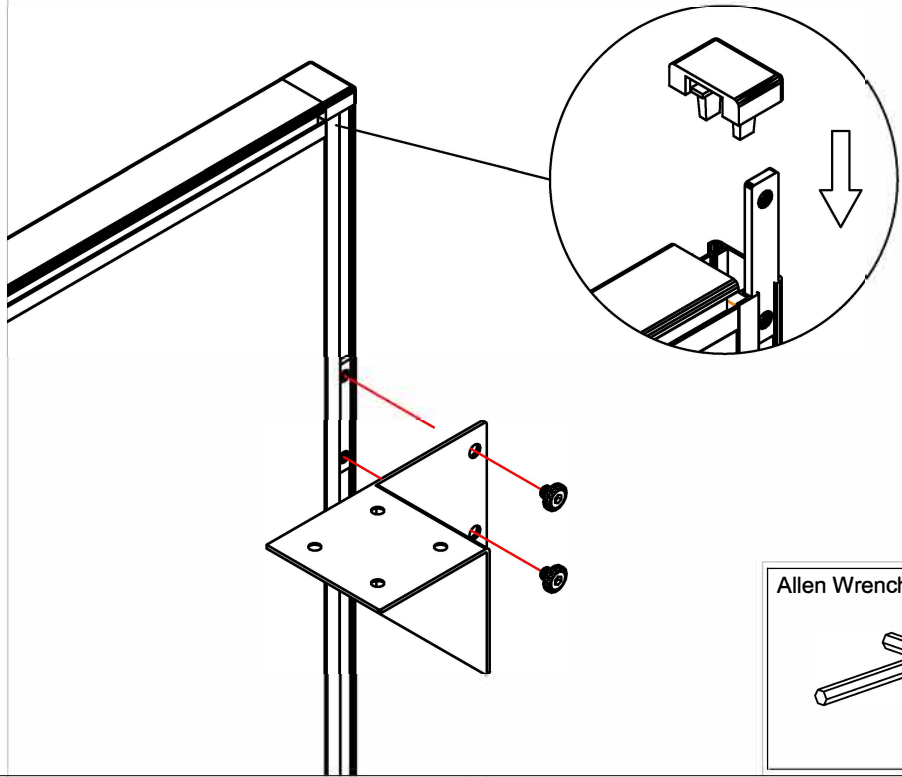
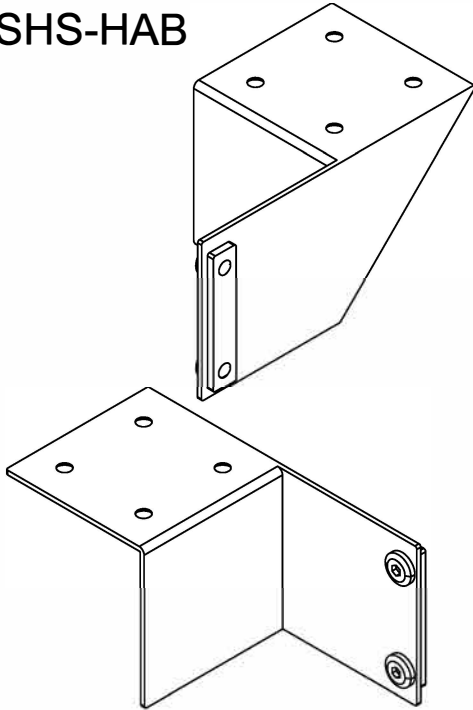
- If parts are missing, broken, damaged or worn stop using the product until all repairs are made.
  - Failure to follow these warnings could result in serious injury.



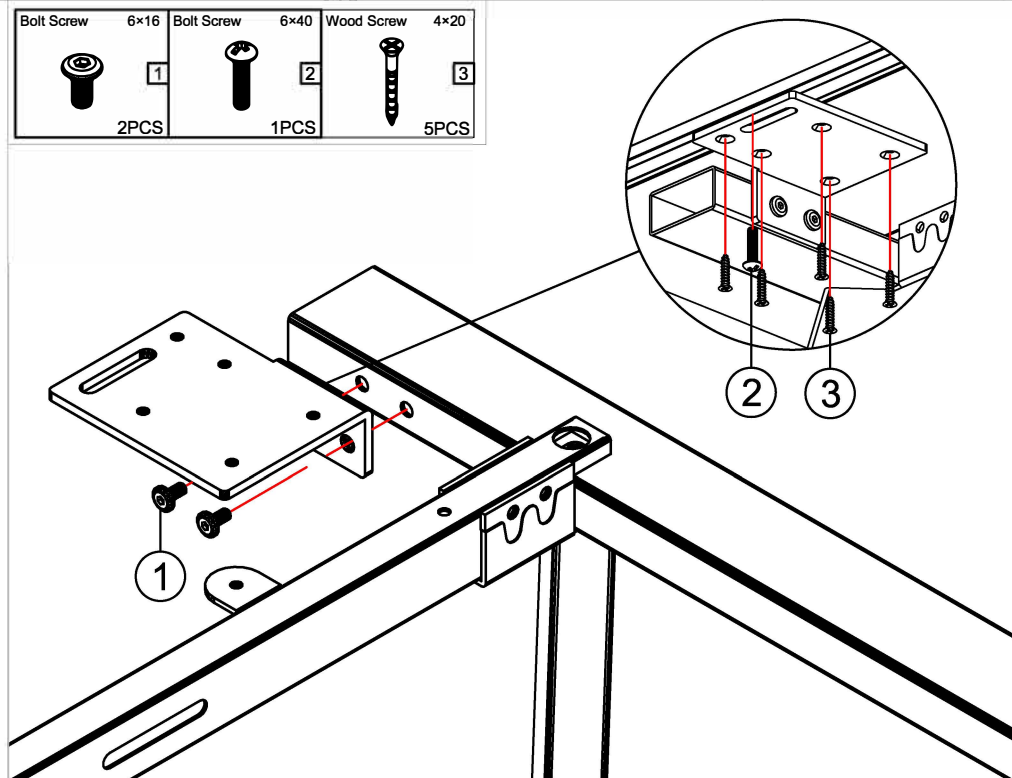
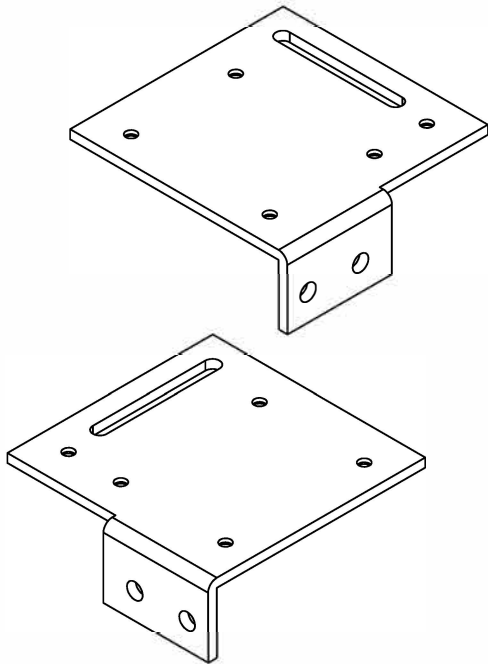
About 8 Mins  
Assembly Time

**EASY Assembly**  
Without Tools

### SHS-HAB

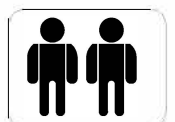


### SHS-FS



#### IMPORTANT NOTE:

- Place all parts on a clean and smooth surface such as a rug or carpet to avoid the parts from being scratched.
- Check to be sure that you have all parts and hardware.
- Remove all wrapping materials, including staples & packing straps before you start to assemble.
- Don't tighten all screws/bolts until all completely assembled.
- Keep all hardware parts out of reach of children

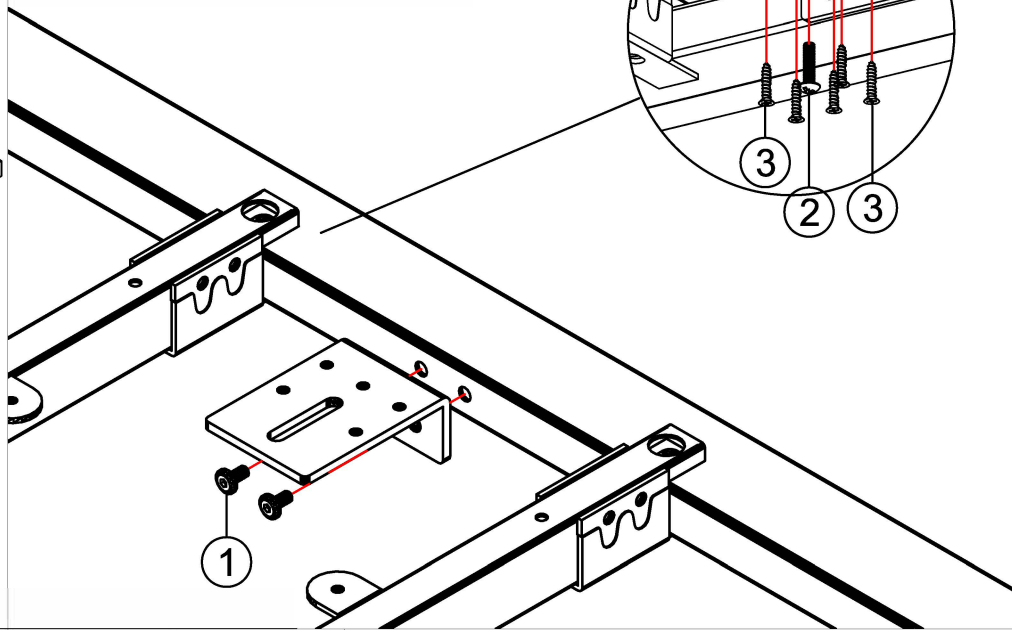
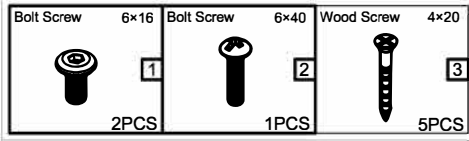
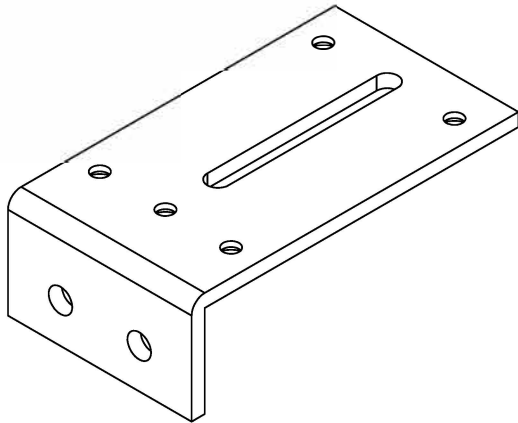




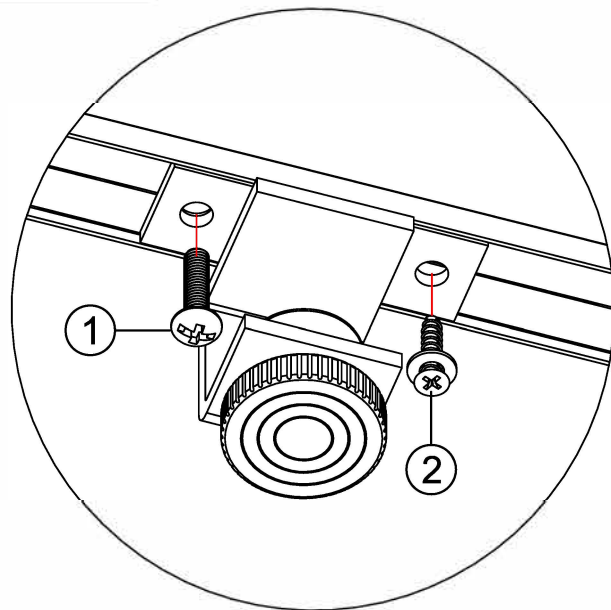
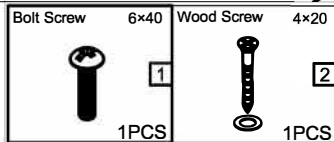
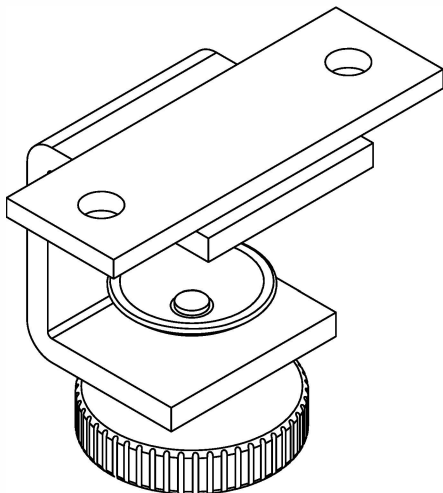
About 8 Mins  
Assembly Time

**EASY Assembly**  
Without Tools

### SHS-FD

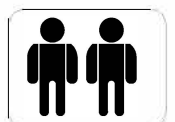


### SHS-CL



#### IMPORTANT NOTE:

- Place all parts on a clean and smooth surface such as a rug or carpet to avoid the parts from being scratched.
- Check to be sure that you have all parts and hardware.
- Remove all wrapping materials, including staples & packing straps before you start to assemble.
- Don't tighten all screws/bolts until all completely assembled.
- Keep all hardware parts out of reach of children

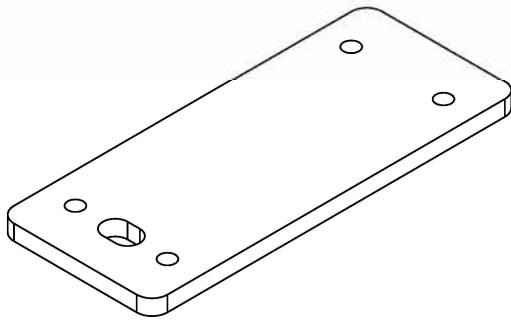






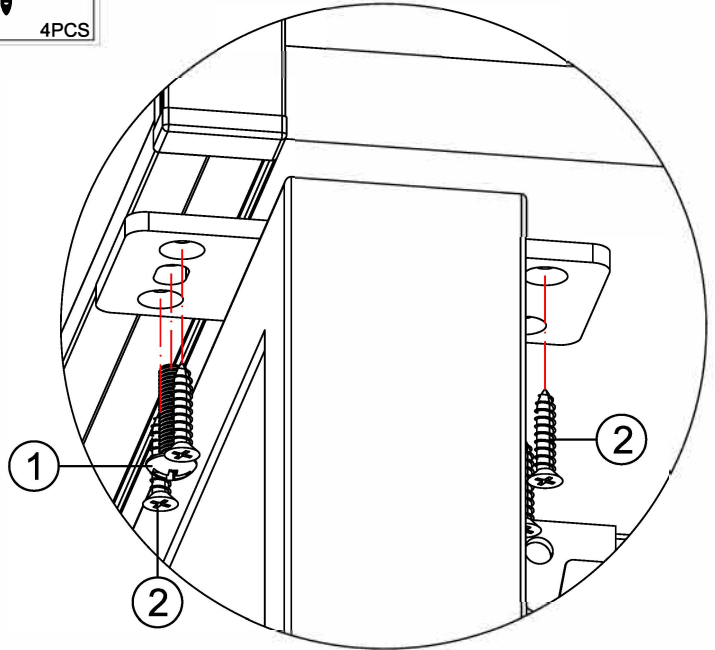
About 8 Mins  
Assembly Time

**EASY Assembly**  
Without Tools

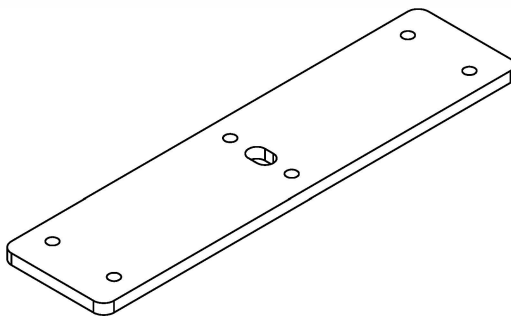
### SHS-LB





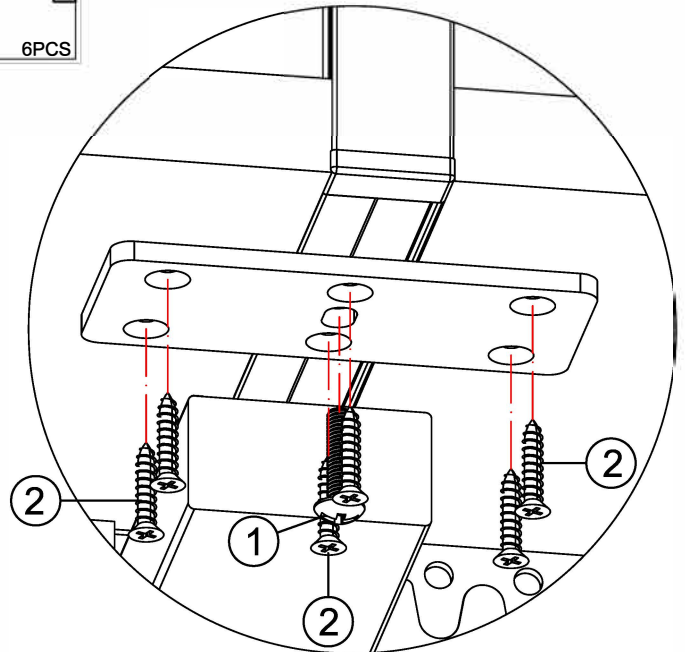
Bolt Screw	6×40	Wood Screw	4×20
	1		2
	1PCS		4PCS



### SHS-TB



Bolt Screw	6×40	Wood Screw	4×20
	1		2
	1PCS		6PCS



#### IMPORTANT NOTE:

- Place all parts on a clean and smooth surface such as a rug or carpet to avoid the parts from being scratched.
- Check to be sure that you have all parts and hardware.
- Remove all wrapping materials, including staples & packing straps before you start to assemble.
- Don't tighten all screws/bolts until all completely assembled.
- Keep all hardware parts out of reach of children

