

# ASSEMBLY INSTRUCTIONS

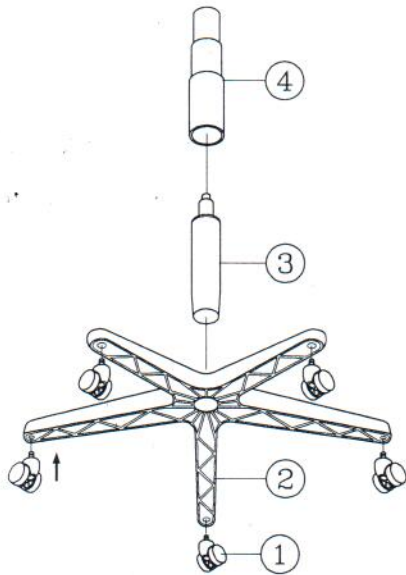
Remove all items from the carton. Verify all pieces before assembly.

TORQUE SETTINGS TO FIX ALL BOLTS: 1.6Nm

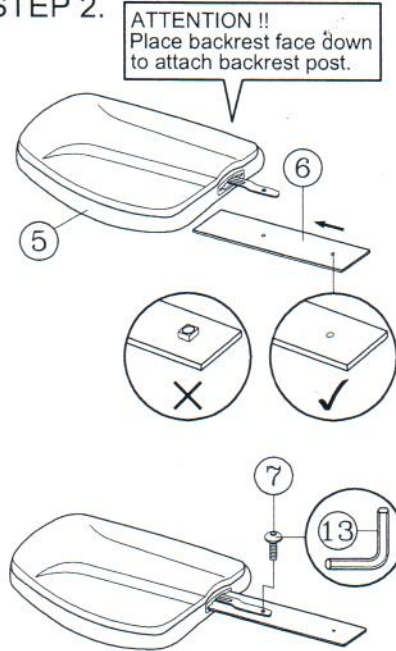
## PARTS LIST

KEY QTY	DESCRIPTION	KEY QTY	DESCRIPTION	KEY QTY	DESCRIPTION	
1	5	Caster	6	1	Backrest Post	
2	1	Base	7	1	Backrest Screw	
3	1	Seat Post	8	1	Seat	
4	1	Seat Post Cover	9	1	Mechanism	
5	1	Backrest	10	6	Mechanism Screw	
				11	1	Back Tight Bolt
				12	1	Back Post Bellow
				13	1	M5 Size Allen Wrench

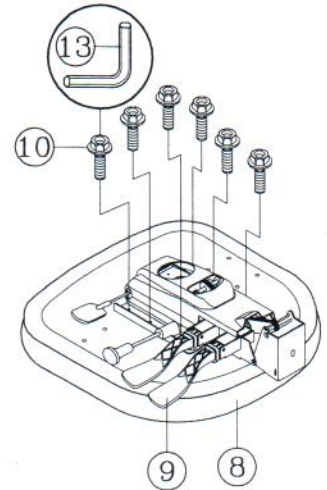
### STEP 1.



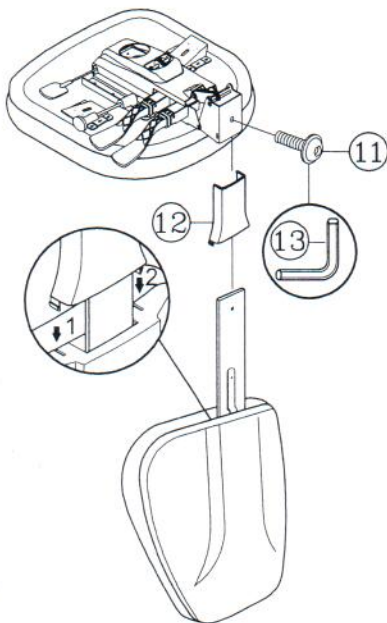
### STEP 2.



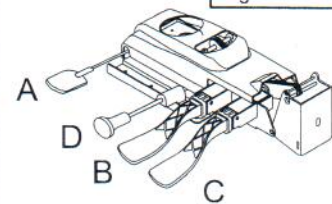
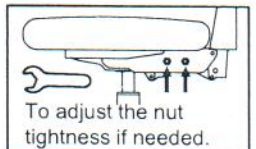
### STEP 3.



### STEP 4.



17mm Wrench



#### MECHANISM INSTRUCTIONS:

- A** Pneumatic seat height adjustment
- B** Seat angle adjustment :  
Seat angle adjusts independently with a single lever.
- C** Backrest angle adjustment :  
Back angle adjusts independently with a single lever.
- D** Sliding seat:  
It provides seat depth adjustment for different user leg lengths.

#### PREVENTIVE MAINTENANCE AND WARNING!

- USE THIS PRODUCT ONLY FOR SEATING ONE PERSON AT A TIME.
- DO NOT USE THIS CHAIR AS A STEP STOOL / LADDER.
- DO NOT SIT ON ANY PART OF THE CHAIR EXCEPT THE SEAT.
- DO NOT USE CHAIR ON UNEVEN FLOOR SURFACES.
- DO NOT USE CHAIR UNLESS ALL BOLTS, SCREWS AND KNOBS ARE TIGHTENED.
- EVERY SIX MONTHS, PLEASE MAKE SURE ALL BOLTS, SCREWS AND KNOBS ARE FULLY TIGHTENED TO ENSURE STABILITY.
- IF ANY PARTS ARE MISSING, BROKEN, DAMAGED OR WORN, STOP USE OF THE PRODUCT UNTIL REPAIRS ARE MADE USING FACTORY AUTHORIZED PARTS.
- DISPOSE OF PACKAGING PROPERLY. PLASTIC BAG IS NOT A TOY. DO NOT USE PLASTIC BAG AS HEAD COVERING - IT MAY CAUSE SUFFOCATION.
- FAILURE TO FOLLOW THESE WARNINGS COULD RESULT IN SERIOUS INJURY.
- NOTE: SOME SCREWS MAY BE PREASSEMBLED. IF PREASSEMBLED, IGNORE ASSEMBLY INSTRUCTIONS.

EMDEAVPIR PRO