

UNIVERSAL

CRANK / 2 LEG / T-LEG

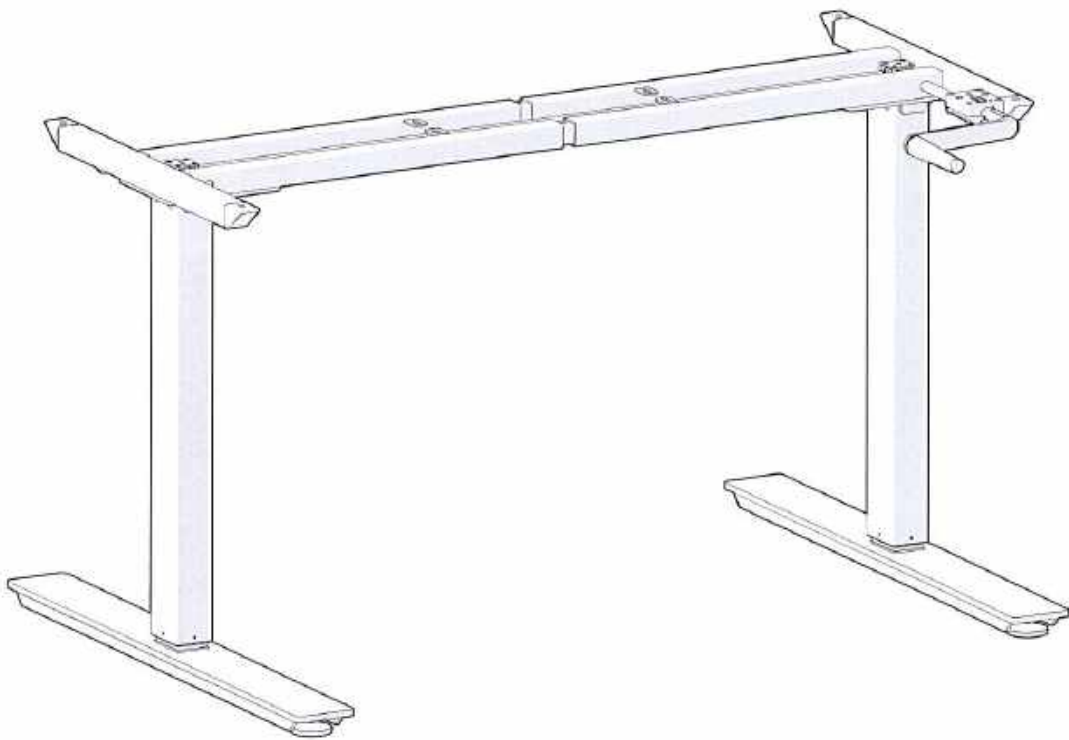


Table Of Contents

1. General

- 1.1 Local value of the user manual
- 1.2 Intended use

2. Safety Information

- 2.1 Informal safety measures
- 2.2 Use of the adjustable frame
- 2.3 Specific Dangers
- 2.4 In an emergency
- 2.5 Maintenance
- 2.6 Cleaning

3. Packaging

- 3.1 Packing
- 3.2 Part Check List

4. Assembly

- 4.1 Torque Guide
- 4.2 Assembly Step by Step

5. Operating Instructions

- 5.1 General Operation

6. Product Specifications

7. Additional Options

8. Customer Service

9. Recycling

- 9.1 Taking the Frame apart
- 9.2 Recycling

1. General

1.1 Local value of the user manual

The guiding principle for safe use and trouble-free operation of this adjustable frame is the knowledge of basic safety information and regulations. This user manual includes the most important information needed for assembling and operating the adjustable frame safely. More importantly, the safety information about the adjustable frame must be observed at all times.

1.2 Intended use

The adjustable frame must be used only as a workstation for sitting / standing within the office environment or other indoor areas. Please observe the provision of section 2, Safety Information. Children may be unaware of the dangers caused by the adjustable frame if unsupervised. Any other use except the above should be considered improper. The manufacturer can in no way be held liable for damage arising from improper use.



Any changes or modification not expressly approved by the manufacturer could void the user's authority to operate the equipment.

2. Safety Information

When installing and using crank equipment, basic safety precaution should always be followed to avoid a risk of injury to persons.

2.1 Informal safety measures

- Keep the user manual in the place where the adjustable frame is used at all times.
- Keep children away from the appliance when operation.

2.2 Use of the adjustable frame

- When adjusting upwards and downwards, make sure that no persons or items will collide with the frame.
- Don't use the adjustable frame on an uneven surface, or it will not be steady.
- Never exceed the maximum load capacity on the adjustable frame. Please check the load capacity in Section 8, Specification.
- The crank handle is only used for specified frame, don't use appliances not recommended by the manufacturer.

2.3 Specific Dangers

- When assembling and operating the adjustable frame, make sure there is enough space to avoid collisions in all available directions.
- Don't pull, push or lift the frame if operating. Make sure to avoid twisting the legs.

2.4 In an emergency

- Stop using the adjustable frame immediately if you notice anything unusual (strange sounds etc.).
- The frame should be repaired by professional staff. Stop using the adjustable frame until it has been successfully repaired.
- Any other emergencies please contact customer services.

2.5 Maintenance

- The adjustable frame and its components are low-maintenance items and need no special regular maintenance.
- Any broken components removed must be replaced with new, original components made by the manufacturer.
- Don't alter the construction of the adjustable frame.

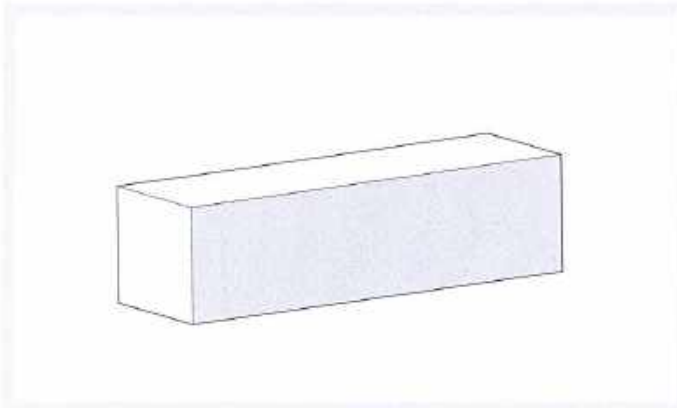
2.6 Cleaning

- Clean the frame once a week with a dry cloth.
- Clean the frame with a damp cloth and a weak solution of cleaner once every two weeks.

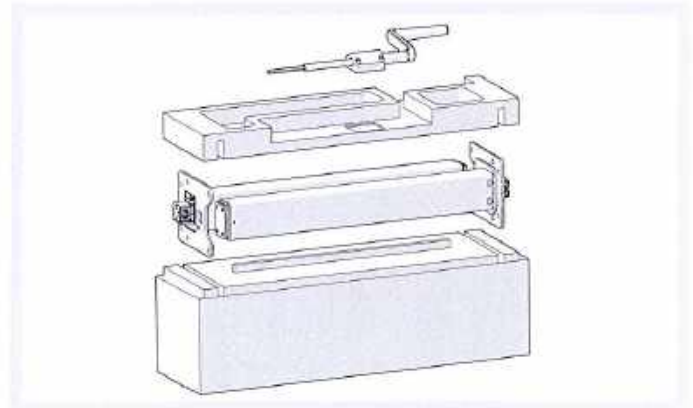
3. Packaging

3.1 Packing

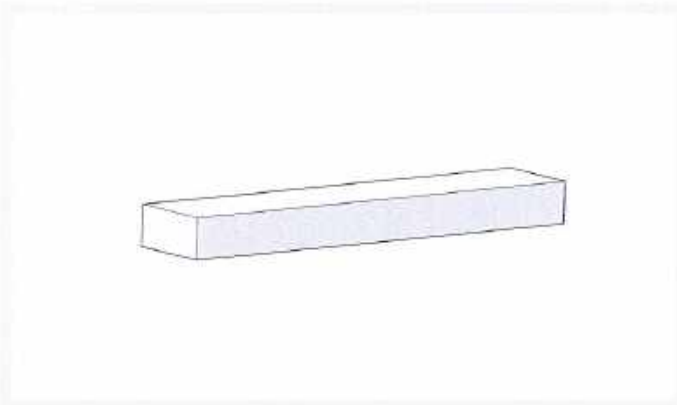
- Open the packaging box carefully. Don't use any long knife blades which will damage the components inside.
- Check the parts supplied against the list in **Section 3.2**.
- Don't attempt to assemble the adjustable frame if there is any damage or if there are any incorrect components.
- Recycling of the carton box please refer **Section 10.2**.



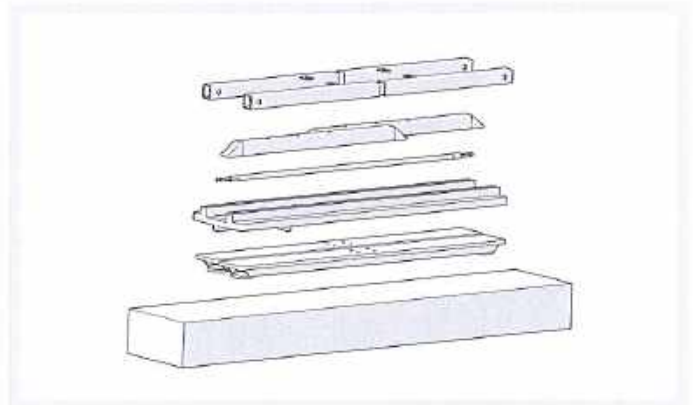
Carton Box Size (L:744mm x H:234mm x W:344mm)



Leg (2 Pcs) / Handle (1 Pcs)



Carton Box Size (L:1065mm x H:100mm x W:205mm)



Top Frame (2 Pcs) / End Pipe (2 Pcs) / Feet (2 Pcs)
Gear Connection (1 Pcs)

3. Packaging

3.2 Part Check List



Leg (2 Pcs)



End Pipe (2 Pcs)



Feet (2 Pcs)



Top Frame (2 Pcs)



Gear Connection (1 Pcs)

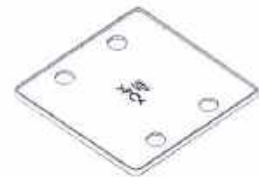


Plate (2 Pcs)



Handle (1 Pcs)



M6x25 (8 Pcs)



M8x12 (12 Pcs)



ST 4.8x19 (10 Pcs)



M5x35 (4 Pcs)



ST 4.8x38 (4 Pcs)



Parts displayed above may vary, based upon Frame Configuration

4. Assembly

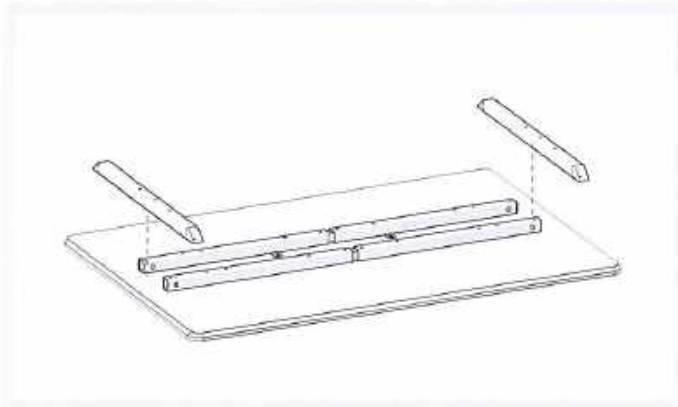


Before attempting assembly of the Height Adjustable Frame, please read safety information in Section 2.

4.1 Torque Guide

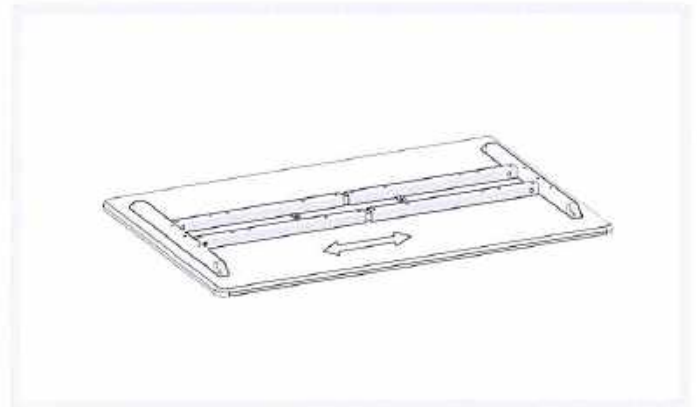
- M6 Screw's max torque = 6nm
- M8 Screw's max torque = 6nm
- M10 Screw's max torque = 6nm
- Tapping screws hand tightening only

4.2 Assembly Step by Step



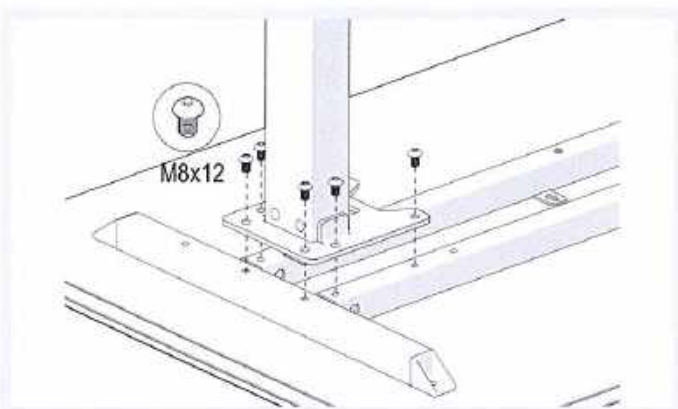
Step 1

Assembly the Top Frame & End Pipe as illustrated above.



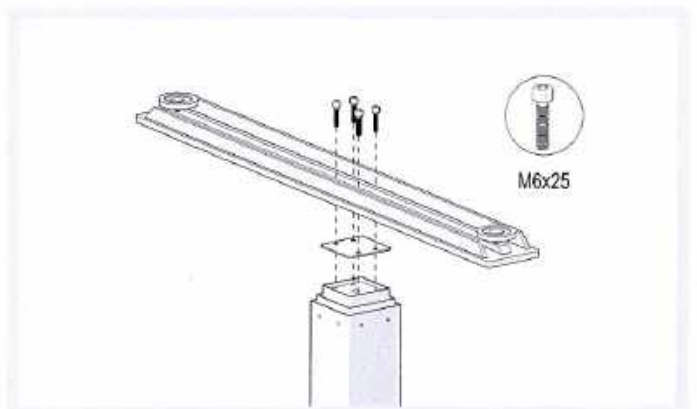
Step 2

Adjust the Top Frame to the suitable length.



Step 3

Assembly the Top Frame, End Pipe and Leg as illustrated above. Please refer to **Section 4.1 Torque Guide**.

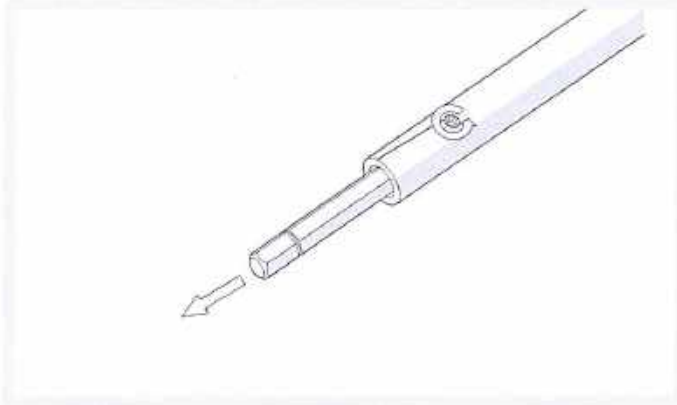


Step 4

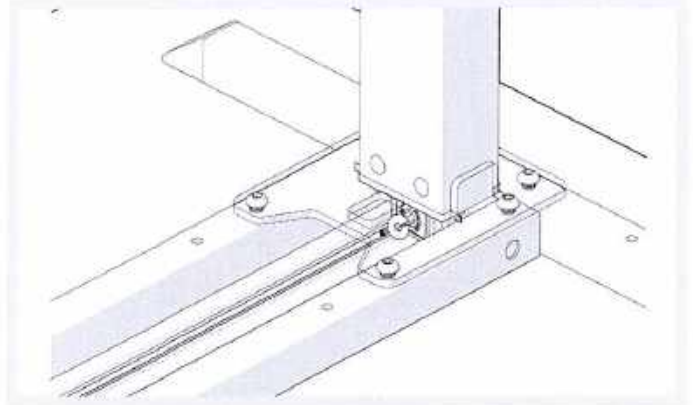
Mount the Feet to the Leg as illustrated above. Please refer to **Section 4.1 Torque Guide**.

4. Assembly

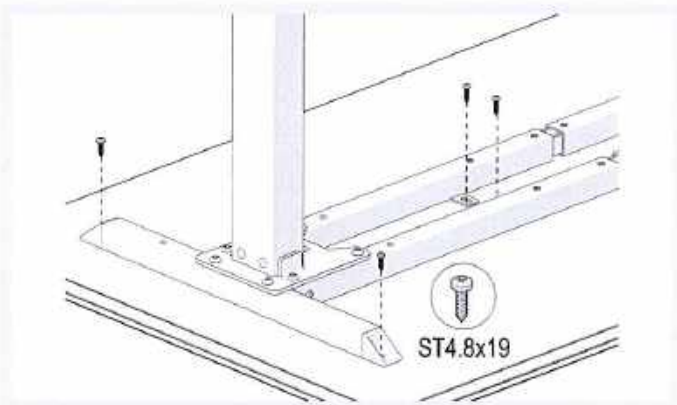
4.2 Assembly Step by Step



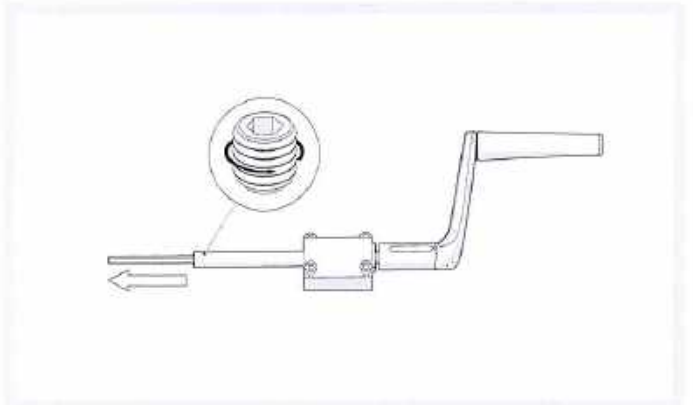
Step 5
Adjust the Gear Connection to the suitable length.



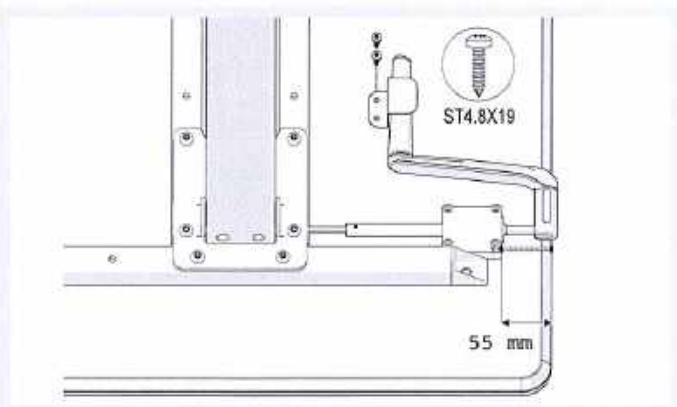
Step 6
Mount the Gear Connection to the Leg as illustrated above.



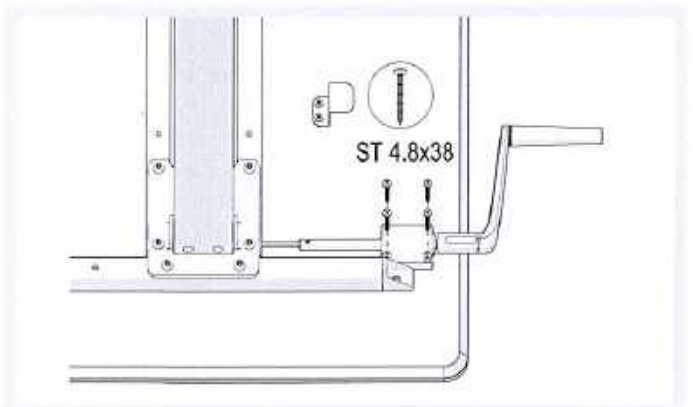
Step 7
Mount the Frame to the Table top as illustrated above. Please refer to **Section 4.1 Torque Guide**.



Step 8
Use the suitable Gear Connection for handle and adjust it to the suitable length.



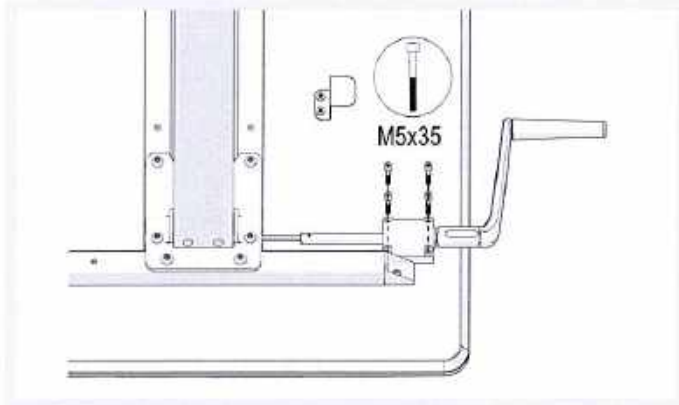
Step 9
Measure the Handle location as illustrated above.



Step 10-1 (use screws ST 4.8X38)
Mount the Handle to the Table top as illustrated above. Please refer to **Section 4.1 Torque Guide**.

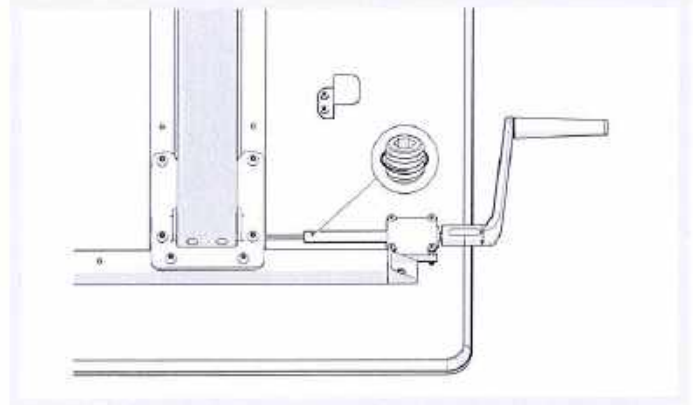
4. Assembly

4.2 Assembly Step by Step



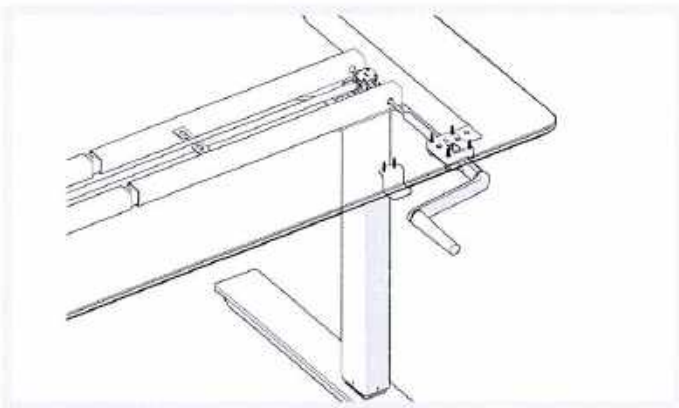
Step 10-2 (or use screws M5X35)

Mount the Handle to the Table top as illustrated above. Please refer to **Section 4.1 Torque Guide**.



Step 11

Tighten Gear Connection in handle as illustrated above.

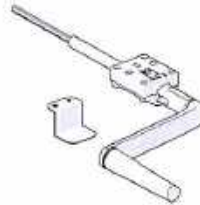


Step 12

Please refer to operating instructions section 5.

5. Operating Instructions

Please read below instructions carefully before operating the system.



5.1 General Operation:

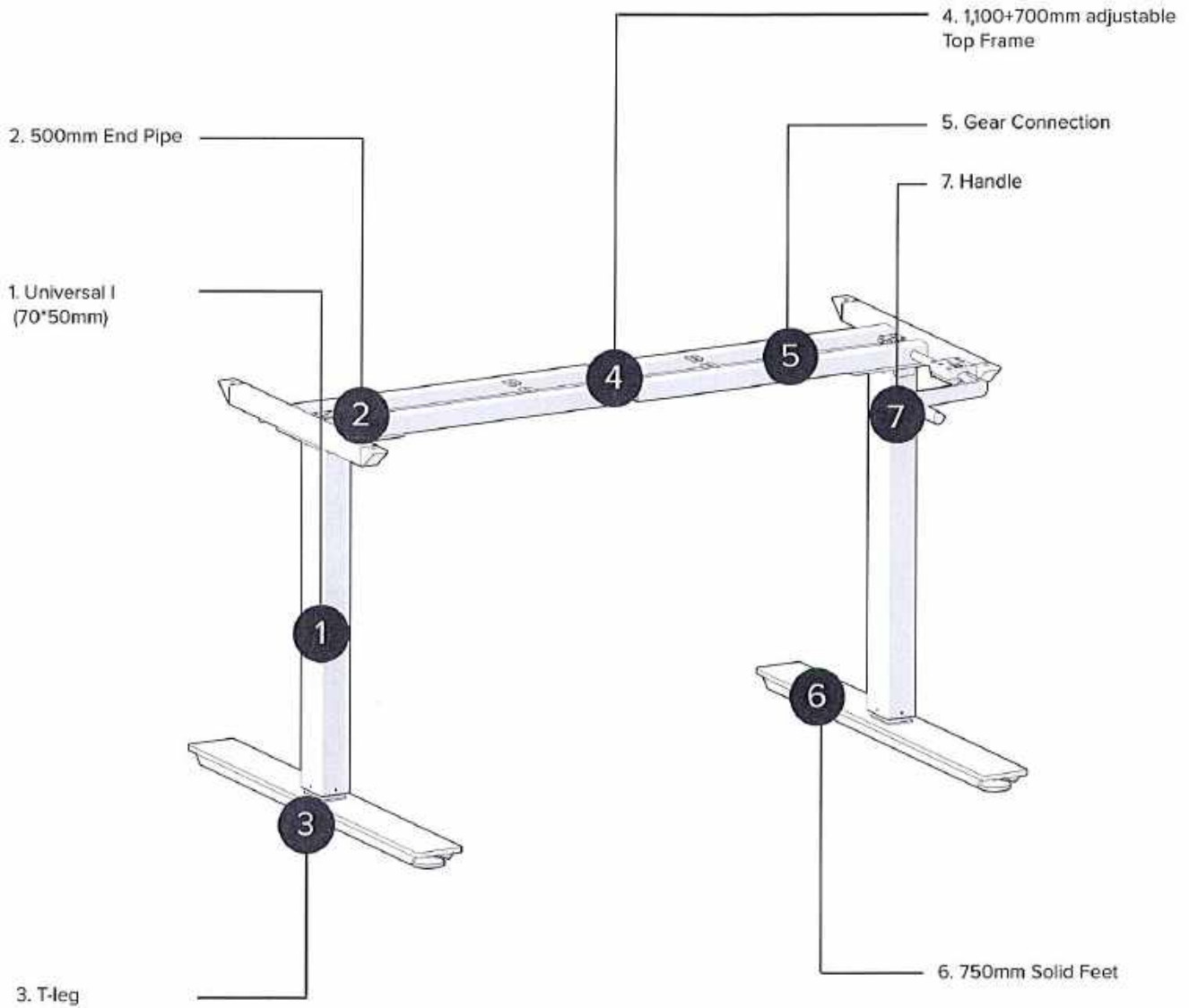
This function enables you to adjust the frame upwards or downwards.

- Turn around the handle clockwise then the frame go upwards.
- Turn around the handle counter-clockwise then the frame go downwards.



Drag out the handle a little then fold it under the table top when you don't use it.

7. Product Specifications



Parts displayed above may vary, based upon Frame Configuration

7. Additional Options

7.1 Universal

Crank 2 Leg



Leg Options

- ≡ Universal 1: 70 x 50mm / 2.75 x 1.97"
- ≡ Universal 2: 70 x 70mm / 2.75 x 2.75"
- ≡ Universal 3: 100 x 50mm / 3.94 x 1.97"

End Pipe Options

- ≡ 500mm / 19.7"
- ≡ 600mm / 23.6"
- ≡ 700mm / 27.6"

Load Capacity

- ≡ 100 kg / 220 lbs

Stroke

- ≡ 450mm / 17.7"

Top Frame Width Options

- ≡ Adjustable: 800 - 1200mm / 31.5 - 47.24"
- ≡ Adjustable: 1100 - 1800mm / 43.31 - 70.87"
- ≡ Fixed: 1200mm / 47.2"
- ≡ Fixed: 1400mm / 55.1"
- ≡ Fixed: 1600mm / 63"

Feet Options

- ≡ 600mm / 23.6" T/C-Leg (30, 45, 90°, Solid)
- ≡ 750mm / 29.5" T/C-Leg (30, 45, 90°, Solid)

Height Range

- ≡ 630 - 1080mm / 24.8 - 42.5"

Speed

- ≡ 2.25mm per turn