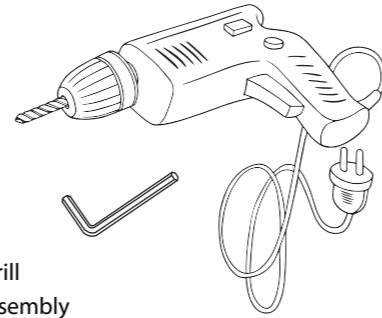


To deodorize a leather,
leave the chair in a shady
outside for 1-2 days.

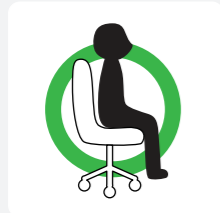


For longer use
re-tighten bolts every 6 months.



*Use power drill
for tighter assembly

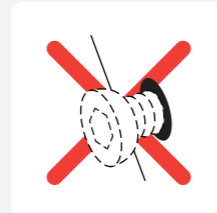
• Cautions



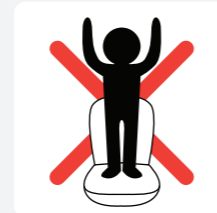
Use this product only for
seating one person at a time



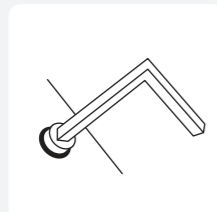
DO NOT use the chair
unless all bolts, screws
and knobs are tight



DO NOT use the chair if
only components are
missing or damaged



DO NOT stand on the chair
use as a step stool or ladder



Regularly check all bolts,
screws, and knobs are tight



Be careful, some of the part
are heavy and has sharp edge



Failure to follow these warnings
may cause serious injury

CPSW ASSEMBLY INSTRUCTION

Contents

- Instructions
- User Manual
- Cautions



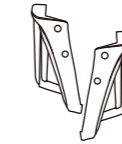
※ Please Make sure all parts are included.



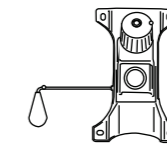
BACK X1



SEAT X1



ARMREST X2



CONTROL
MECHANISM X1



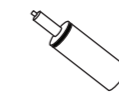
WHEEL X5



BASE X1








BASE CAP X1



GAS LIFT
CYLINDER X1



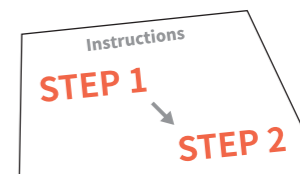
ALLEN KEY X1

-  (A) X4
-  (B) X4
-  (C) X4
-  (D) X4
-  (E) X4

Read the instructions carefully.



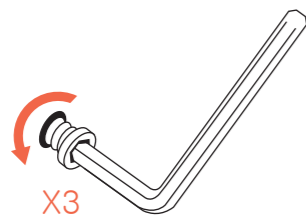
Please follow the assembly steps.



• Instructions

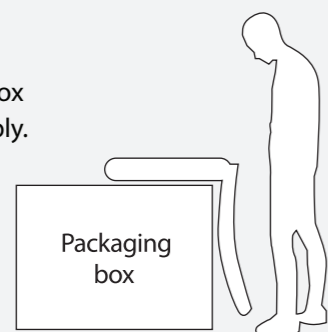
※ NOTICE

Under-tighten each bolt
make sure bolt holes aligned and tighten!

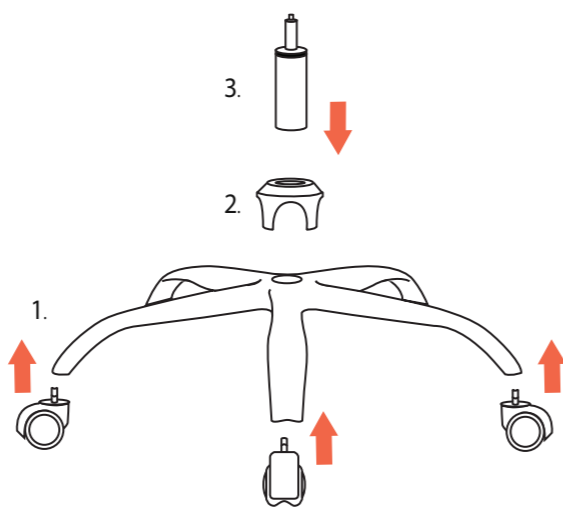


TIPS!

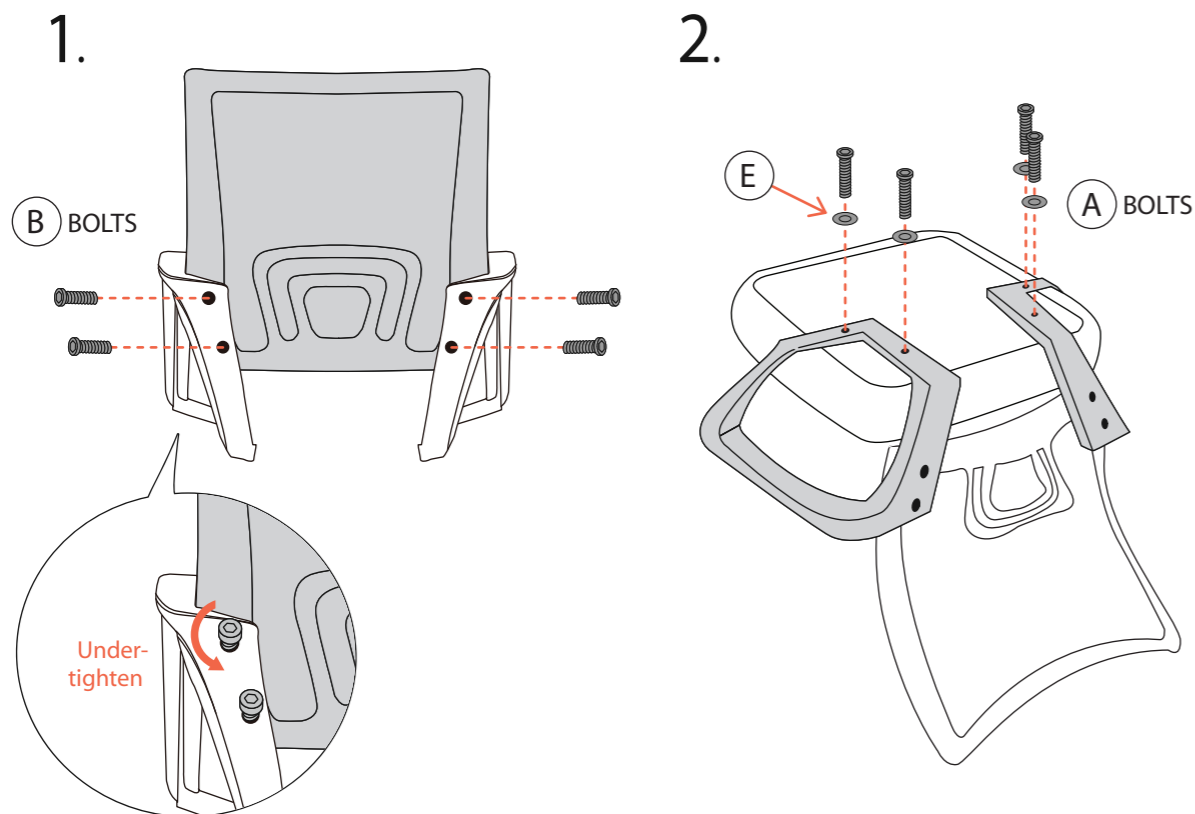
Use packaging box
for easier assembly.



STEP 1 Bottom

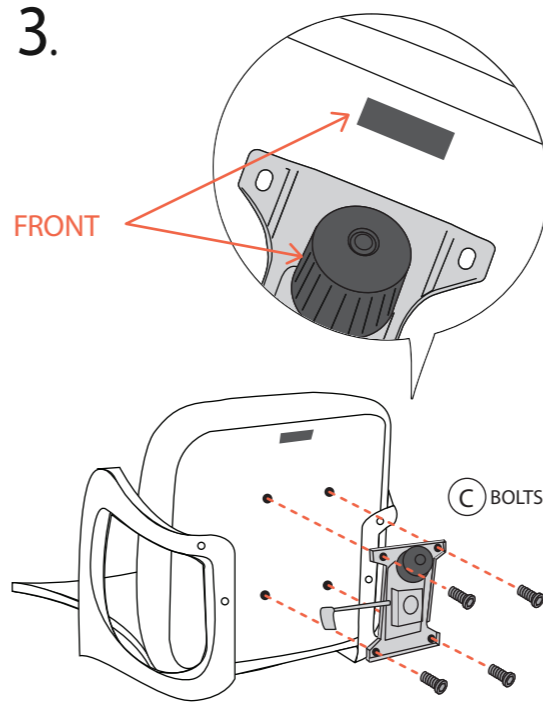


STEP 2 Top



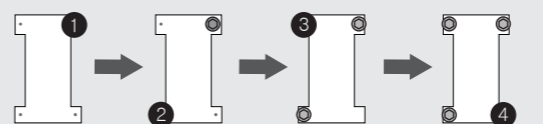
3.

FRONT

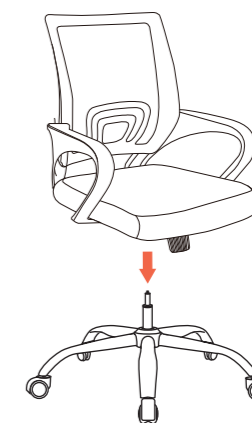


(C) BOLTS

Order of bolts for better durability.

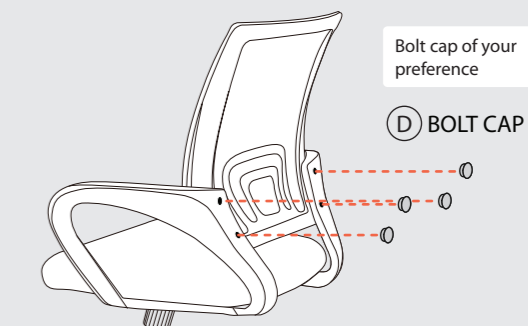


4.



5.

Optional insert

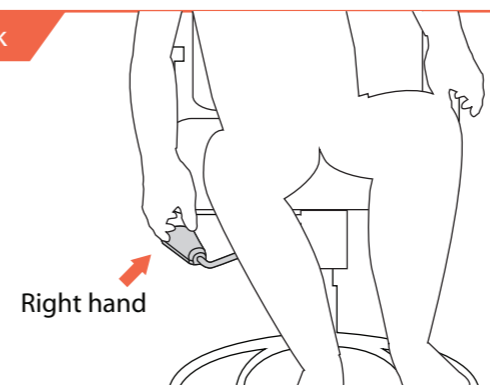


Bolt cap of your preference

(D) BOLT CAP

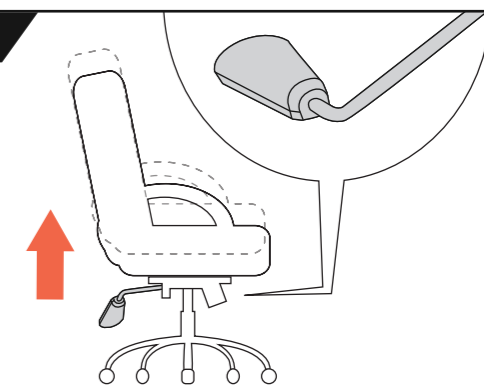
• User Manual

Check

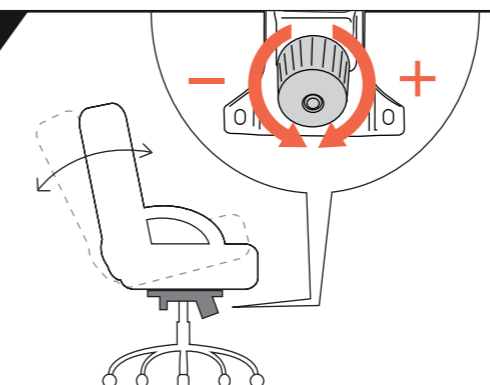


Right hand

Height



Tilt



Lock

