
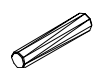
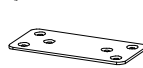


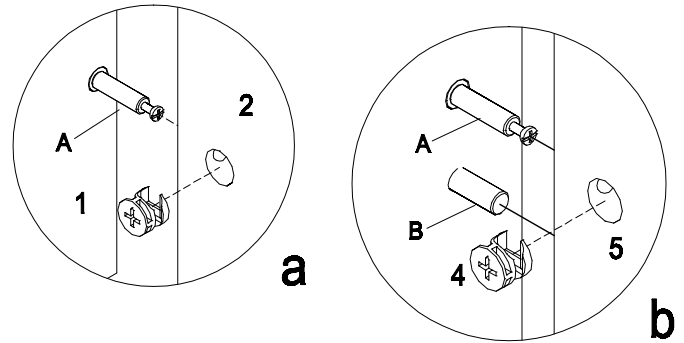
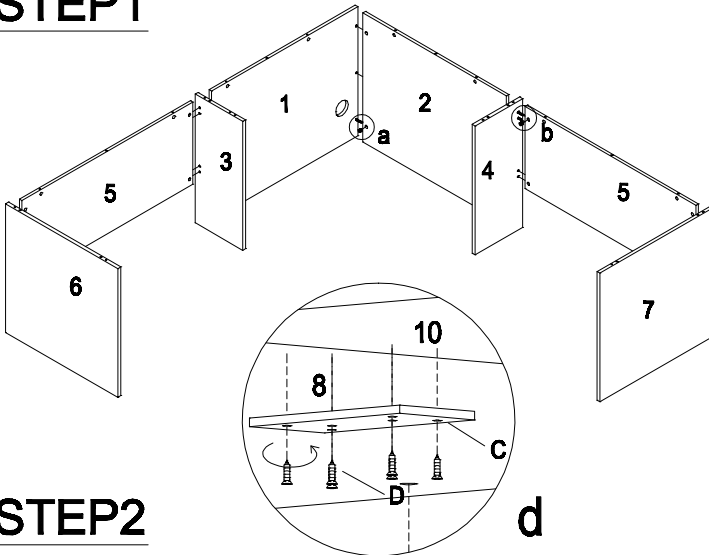


ASSEMBLY INSTRUCTIONS

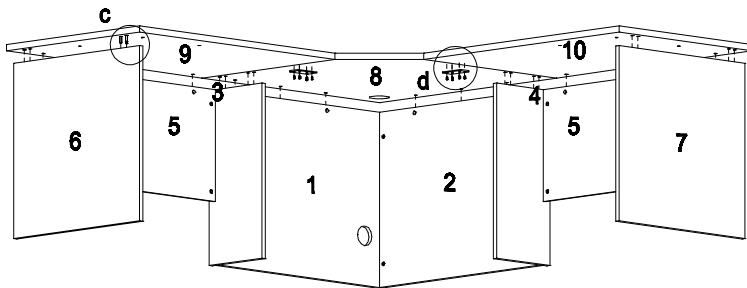
MODEL NO.:NZCW2175

A  30 <small>(Ø 16x32)</small> CAM LOCK	B  23 <small>(Ø 8x30)</small> DOWEL	C  2 <small>(100x50x2)</small> 6HOLES PANEL	D  12 <small>(4x14)</small> SCREWS	E  2 <small>(Ø 80)</small> GROMMET
---	---	---	--	--

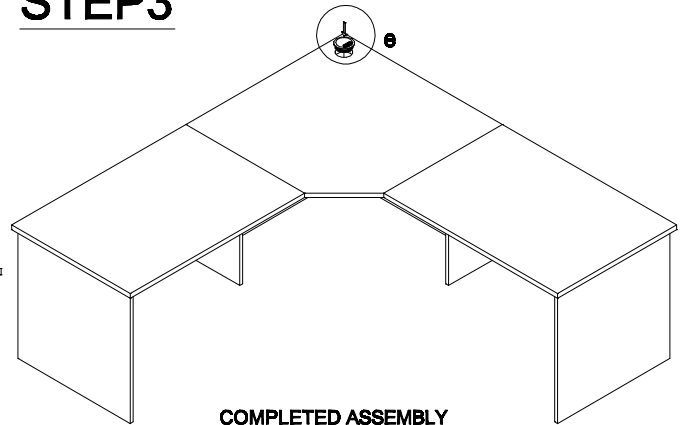
STEP1



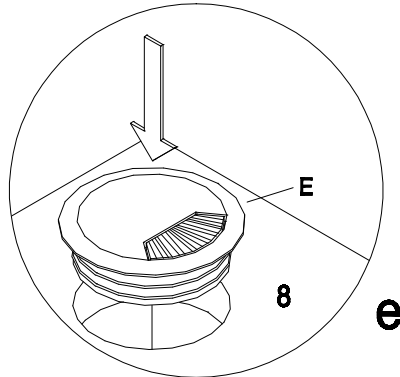
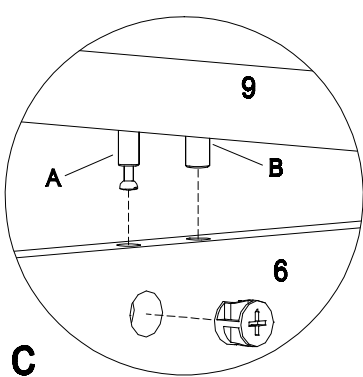
STEP2



STEP3



COMPLETED ASSEMBLY



IMPORTANT:

FUNCTION OF KLIX CAM



**1/4 RIGHT
TURN FOR
LOCKING**

MAKE SURE THE ARROW IS
POINTING UPWARDS
BEFORE INSERTING INTO
THE PANEL HOLE.

IMPORTANT NOTE:

- Place all laminated parts on a clean and smooth surface such as a rug or carpet to avoid the parts from being scratched.
- Check to be sure that you have all parts and hardware.
- Remove all wrapping materials, including staples & packing straps before you start to assemble.
- Don't tighten all screws/bolts until all completely assembled.
- Keep all hardware parts out of reach of children.
- It is recommended to require 2 persons to complete the assembly.