
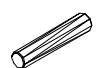
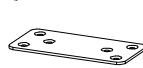


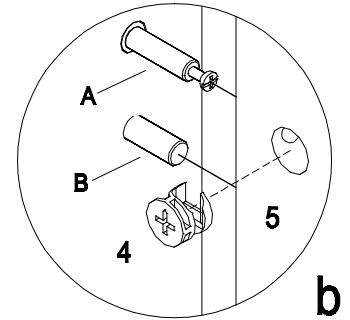
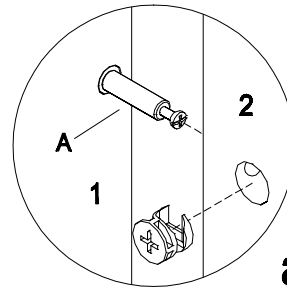
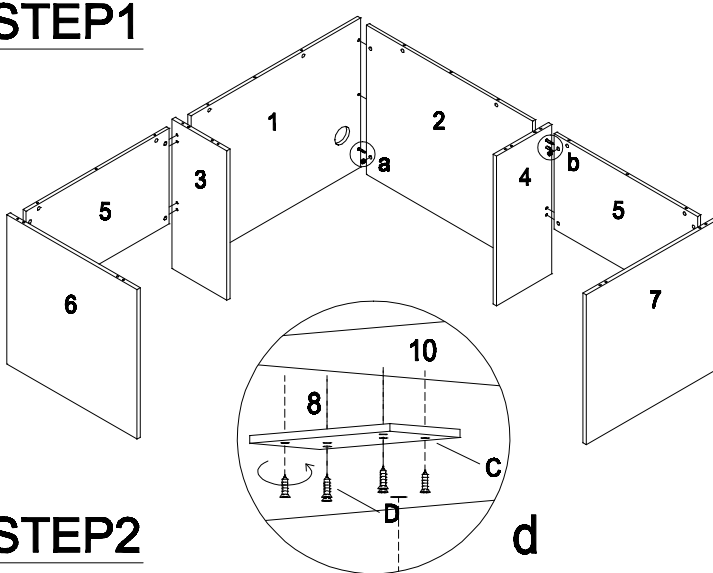


# ASSEMBLY INSTRUCTIONS

## MODEL NO.:NZCW1875

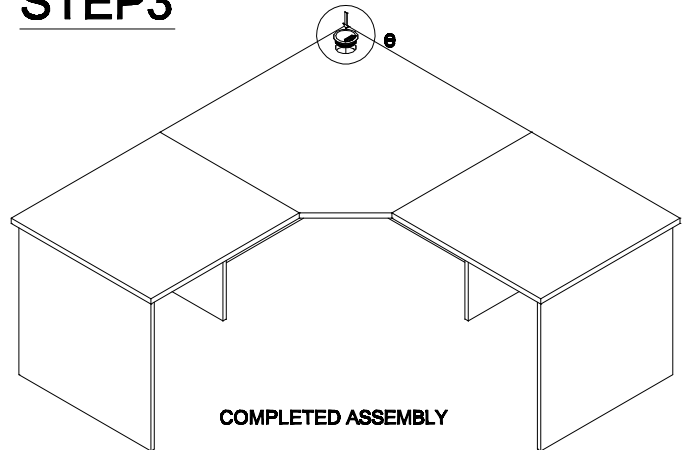
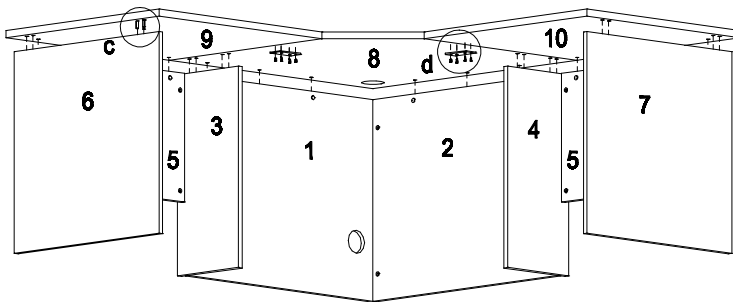
<b>A</b>  <b>30</b> (Ø 15x32) <b>CAM LOCK</b>	<b>B</b>  <b>23</b> (Ø 8x30) <b>DOWEL</b>	<b>C</b>  <b>2</b> (100x50x2) <b>6HOLES PANEL</b>	<b>D</b>  <b>12</b> (4x14) <b>SCREWS</b>	<b>E</b>  <b>2</b> (Ø 80) <b>GROMMET</b>
--	--	--	---	---

### STEP1

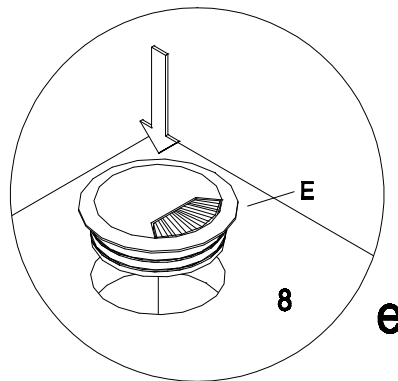
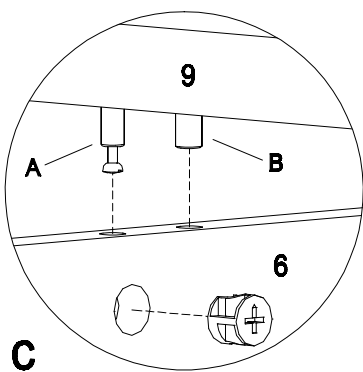


### STEP3

### STEP2



COMPLETED ASSEMBLY



IMPORTANT:

#### FUNCTION OF KLIX CAM



**1/4 RIGHT  
TURN FOR  
LOCKING**

MAKE SURE THE ARROW IS  
POINTING UPWARDS  
BEFORE INSERTING INTO  
THE PANEL HOLE.

#### IMPORTANT NOTE:

- Place all laminated parts on a clean and smooth surface such as a rug or carpet to avoid the parts from being scratched.
- Check to be sure that you have all parts and hardware.
- Remove all wrapping materials, including staples & packing straps before you start to assemble.
- Don't tighten all screws/bolts until all completely assembled.
- Keep all hardware parts out of reach of children.
- It is recommended to require 2 persons to complete the assembly.