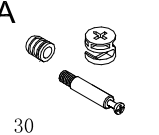
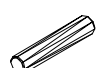



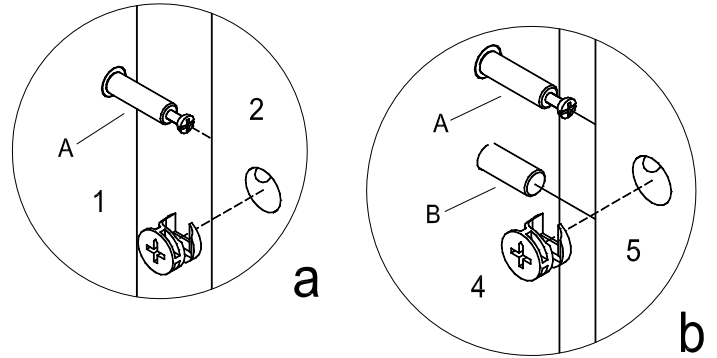
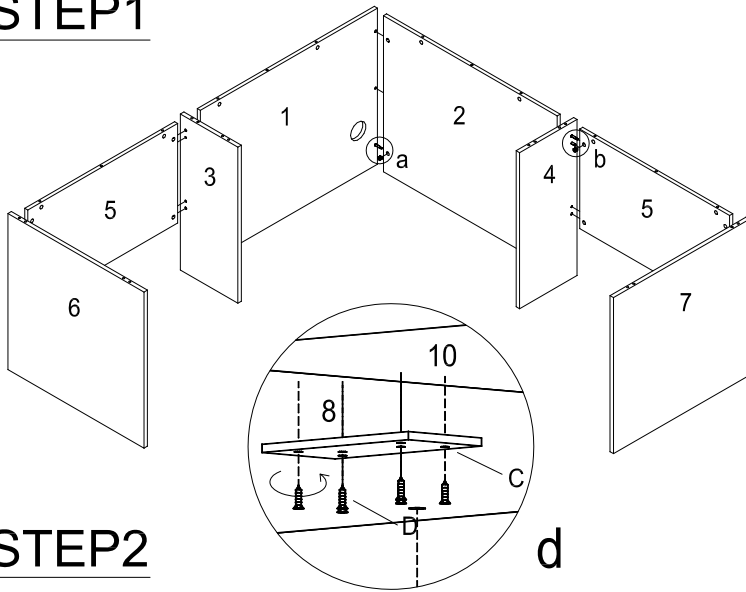


ASSEMBLY INSTRUCTIONS

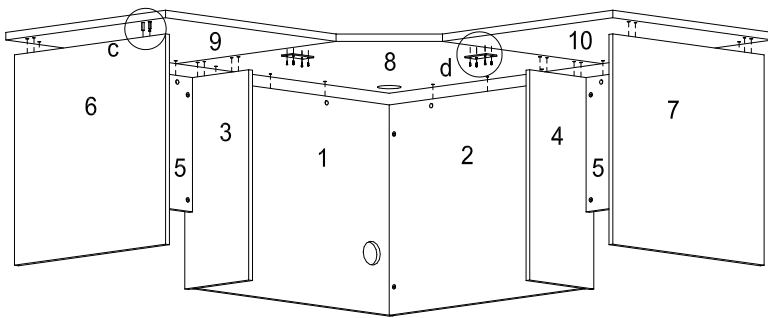
MODEL NO.:NZCW1860

<p>A</p>  <p>30 (Ø15x32) CAM LOCK</p>	<p>B</p>  <p>23 (Ø8x30) DOWEL</p>	<p>C</p>  <p>2 (100x50x2) 6HOLES PANEL</p>	<p>D</p>  <p>12 (4x14) SCREWS</p>	<p>E</p>  <p>2 (Ø80) GROMMET</p>
---	---	--	---	--

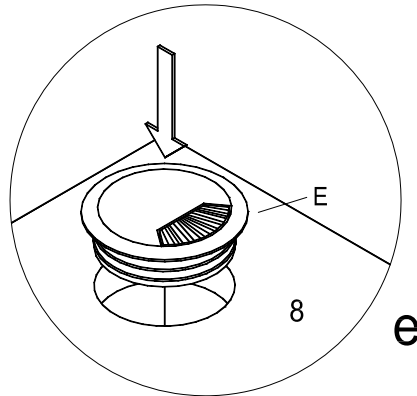
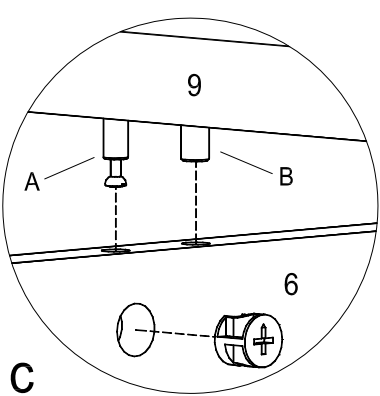
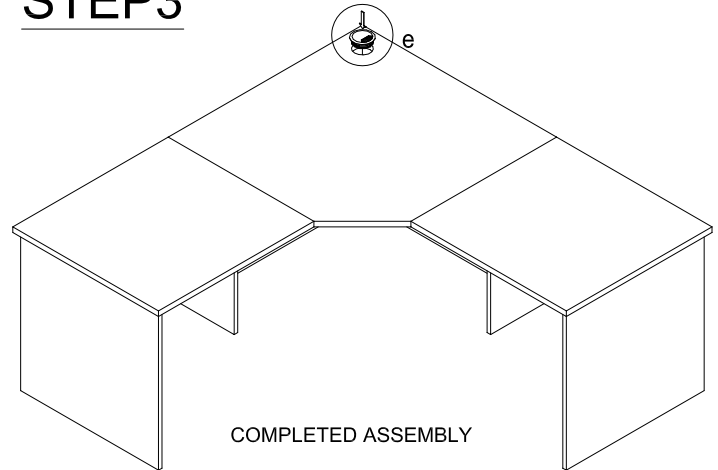
STEP1



STEP2

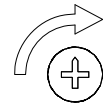


STEP3



IMPORTANT:

FUNCTION OF KLIX CAM



1/4 RIGHT
TURN FOR
LOCKING

MAKE SURE THE ARROW IS
POINTING UPWARDS
BEFORE INSERTING INTO
THE PANEL HOLE.

IMPORTANT NOTE:

- Place all laminated parts on a clean and smooth surface such as a rug or carpet to avoid the parts from being scratched.
- Check to be sure that you have all parts and hardware.
- Remove all wrapping materials, including staples & packing straps before you start to assemble.
- Don't tighten all screws/bolts until all completely assembled.
- Keep all hardware parts out of reach of children.
- It is recommended to require 2 persons to complete the assembly.