
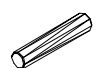
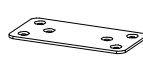


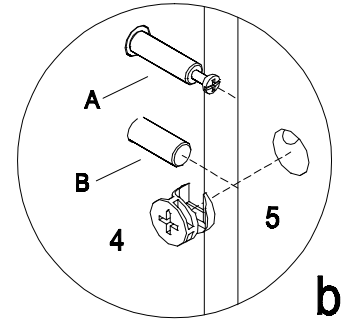
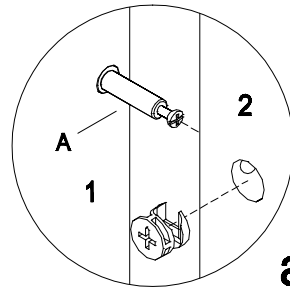
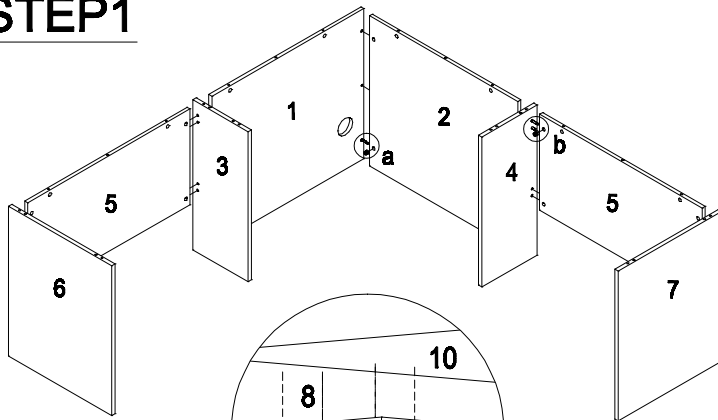


ASSEMBLY INSTRUCTIONS

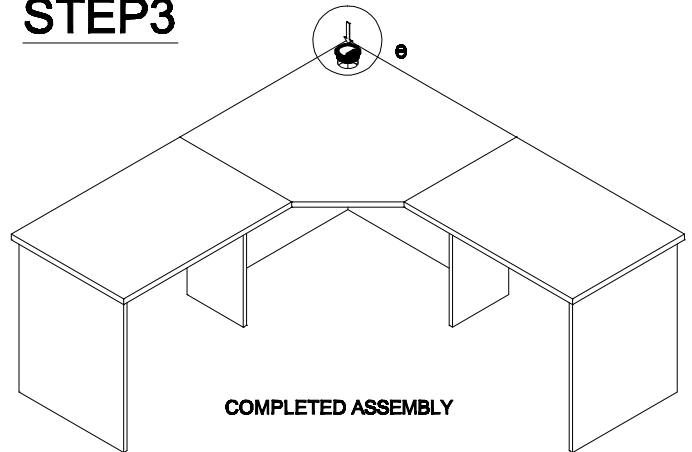
MODEL NO.:NZCW1560

A  30 (Ø 15x32) CAM LOCK	B  23 (Ø 8x30) DOWEL	C  2 (100x50x2) 6HOLES PANEL	D  12 (4x14) SCREWS	E  2 (Ø 80) GROMMET
---	---	---	--	--

STEP1

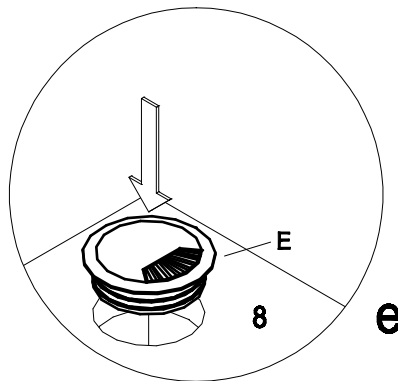
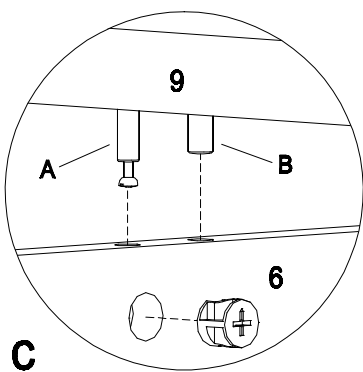
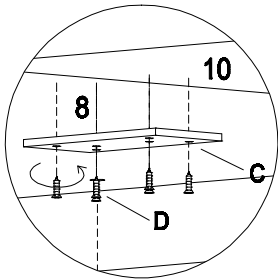
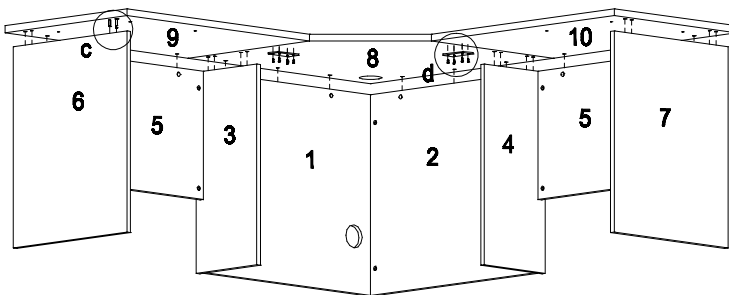


STEP3



COMPLETED ASSEMBLY

STEP2



IMPORTANT:

FUNCTION OF KLIX CAM



**1/4 RIGHT
TURN FOR
LOCKING**

MAKE SURE THE ARROW IS
POINTING UPWARDS
BEFORE INSERTING INTO
THE PANEL HOLE.

IMPORTANT NOTE:

- Place all laminated parts on a clean and smooth surface such as a rug or carpet to avoid the parts from being scratched.
- Check to be sure that you have all parts and hardware.
- Remove all wrapping materials, including staples & packing straps before you start to assemble.
- Don't tighten all screws/bolts until all completely assembled.
- Keep all hardware parts out of reach of children.
- It is recommended to require 2 persons to complete the assembly.